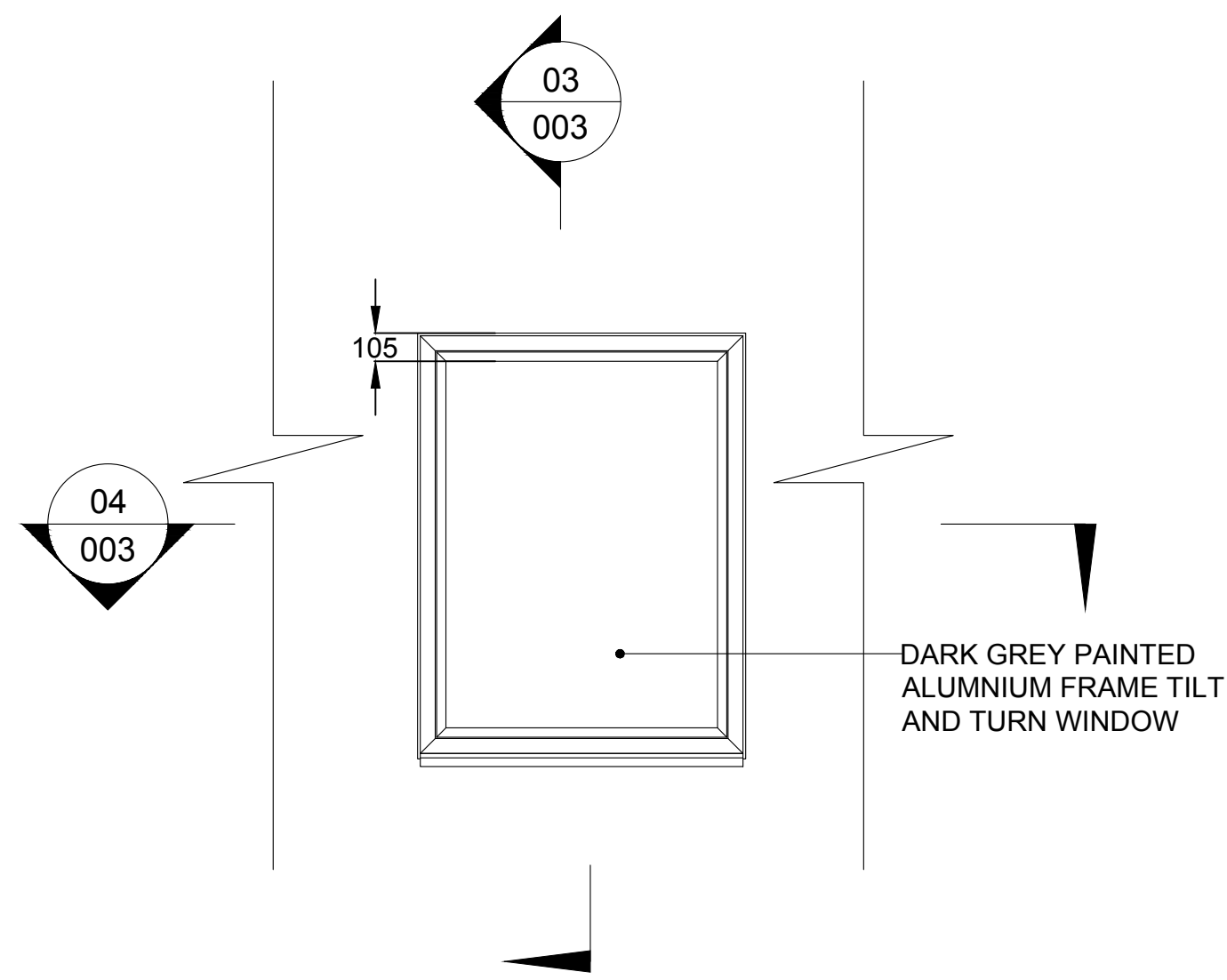
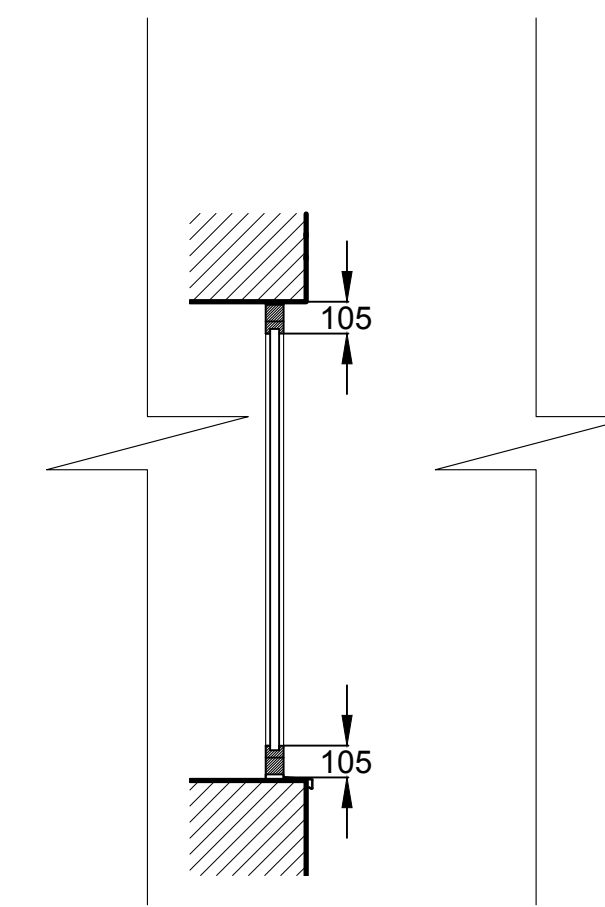


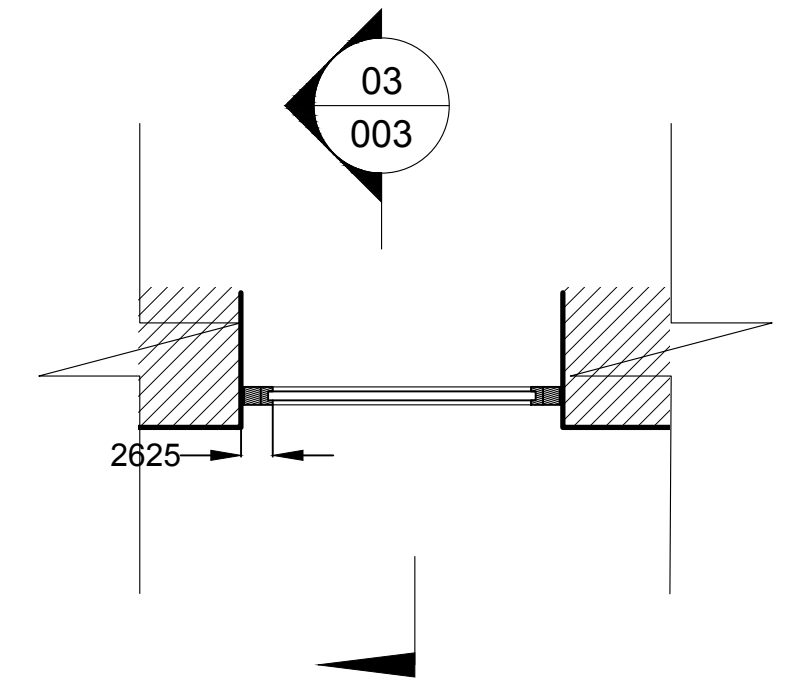
**01**  
003 PROPOSED EXTERNAL WINDOW AND ENTRANCE DOOR ELEVATION  
SCALE 1:50



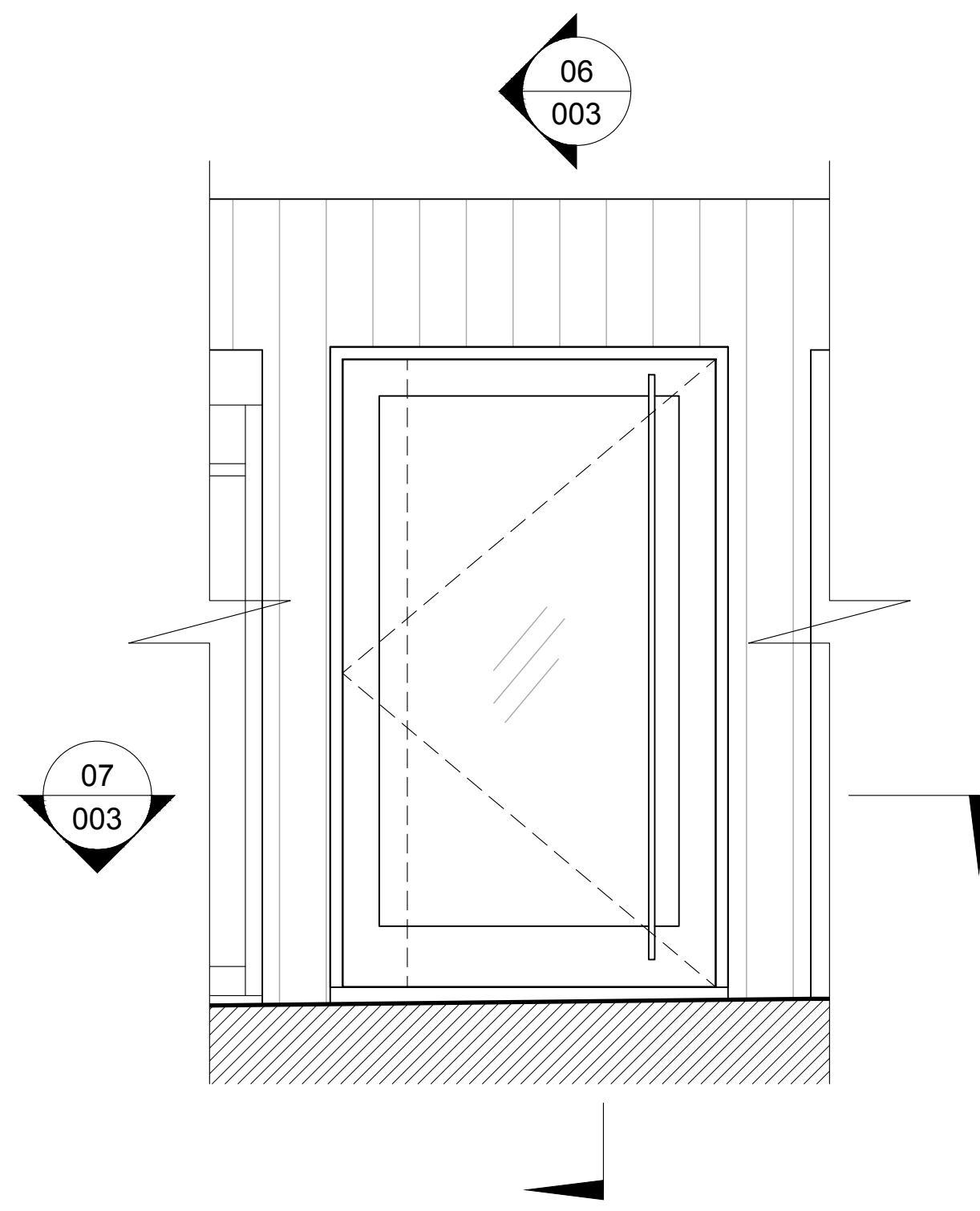
**02**  
003 PROPOSED WINDOW ELEVATION  
SCALE 1:25



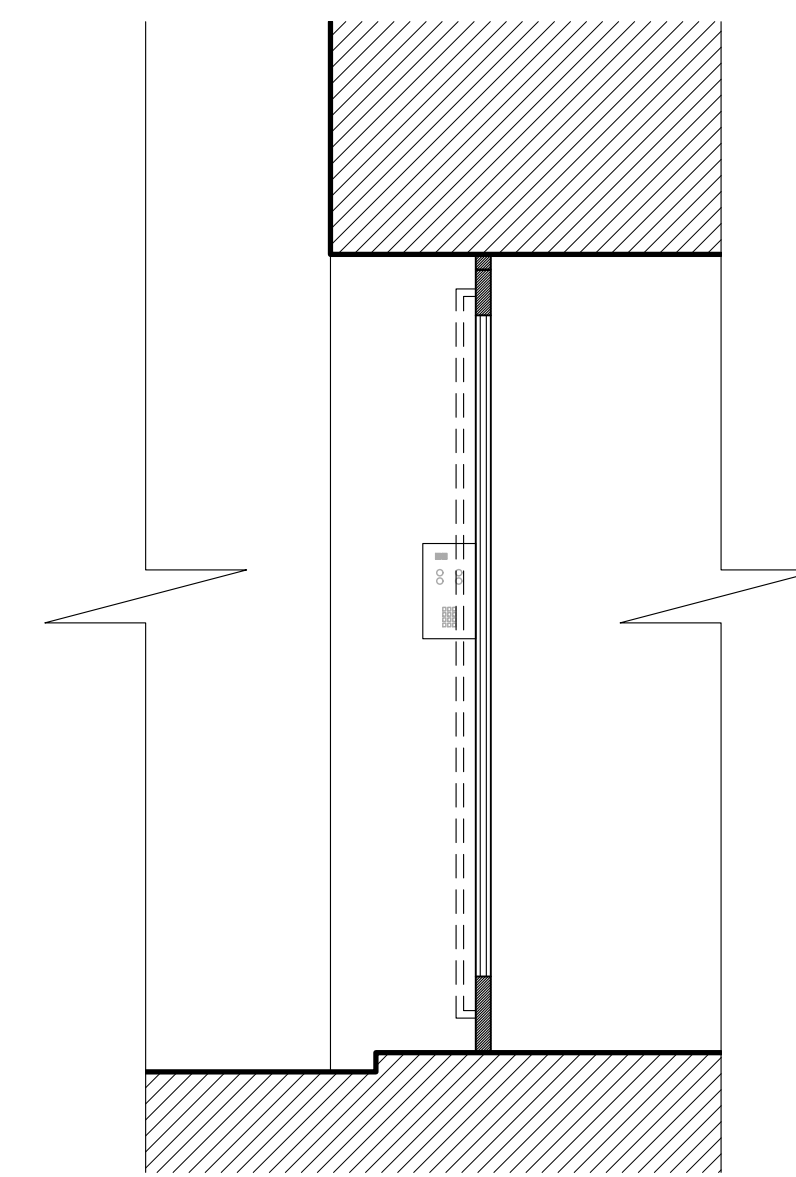
**03**  
003 PROPOSED WINDOW SECTION  
SCALE 1:25



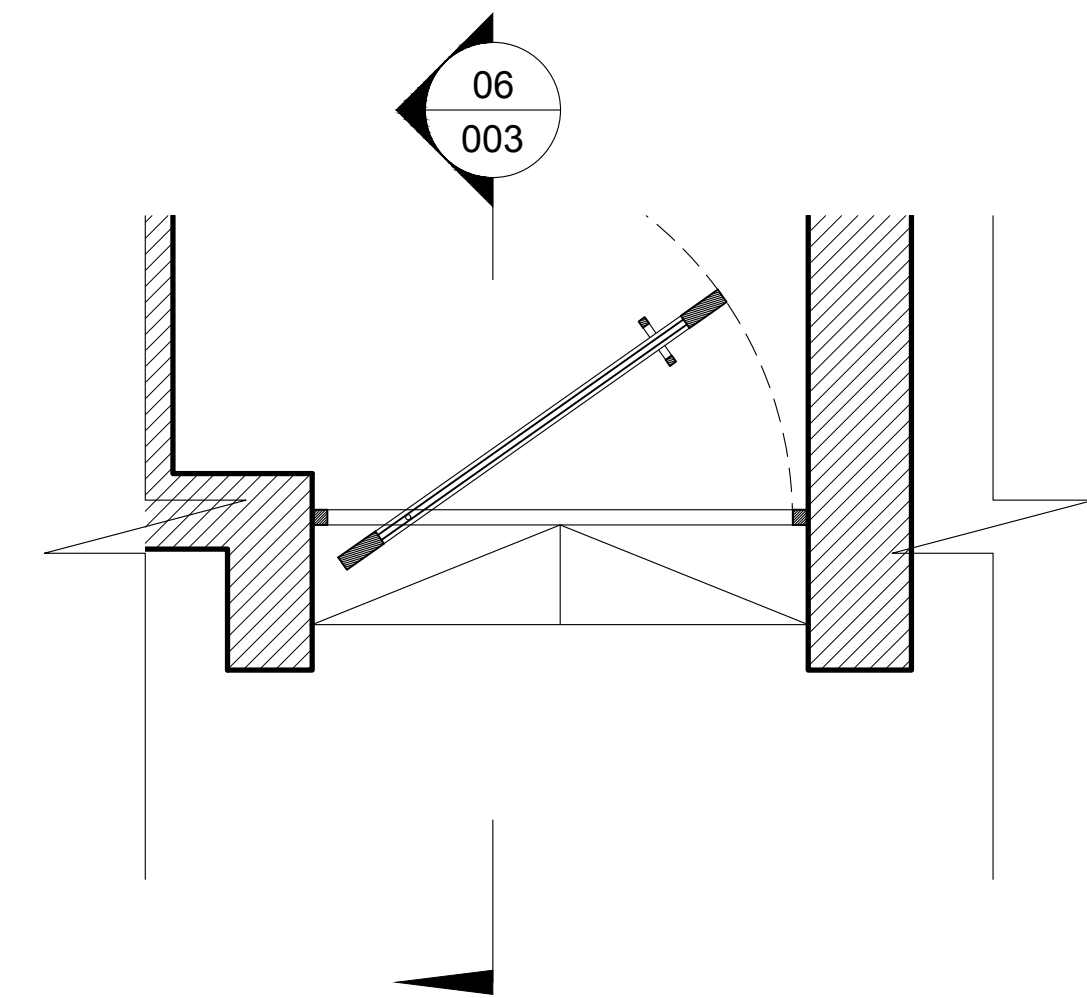
**04**  
003 PROPOSED WINDOW PLAN  
SCALE 1:25



**05**  
003 PROPOSED DOOR ELEVATION  
SCALE 1:25



**06**  
003 PROPOSED DOOR SECTION  
SCALE 1:25



**07**  
003 PROPOSED DOOR PLAN  
SCALE 1:25