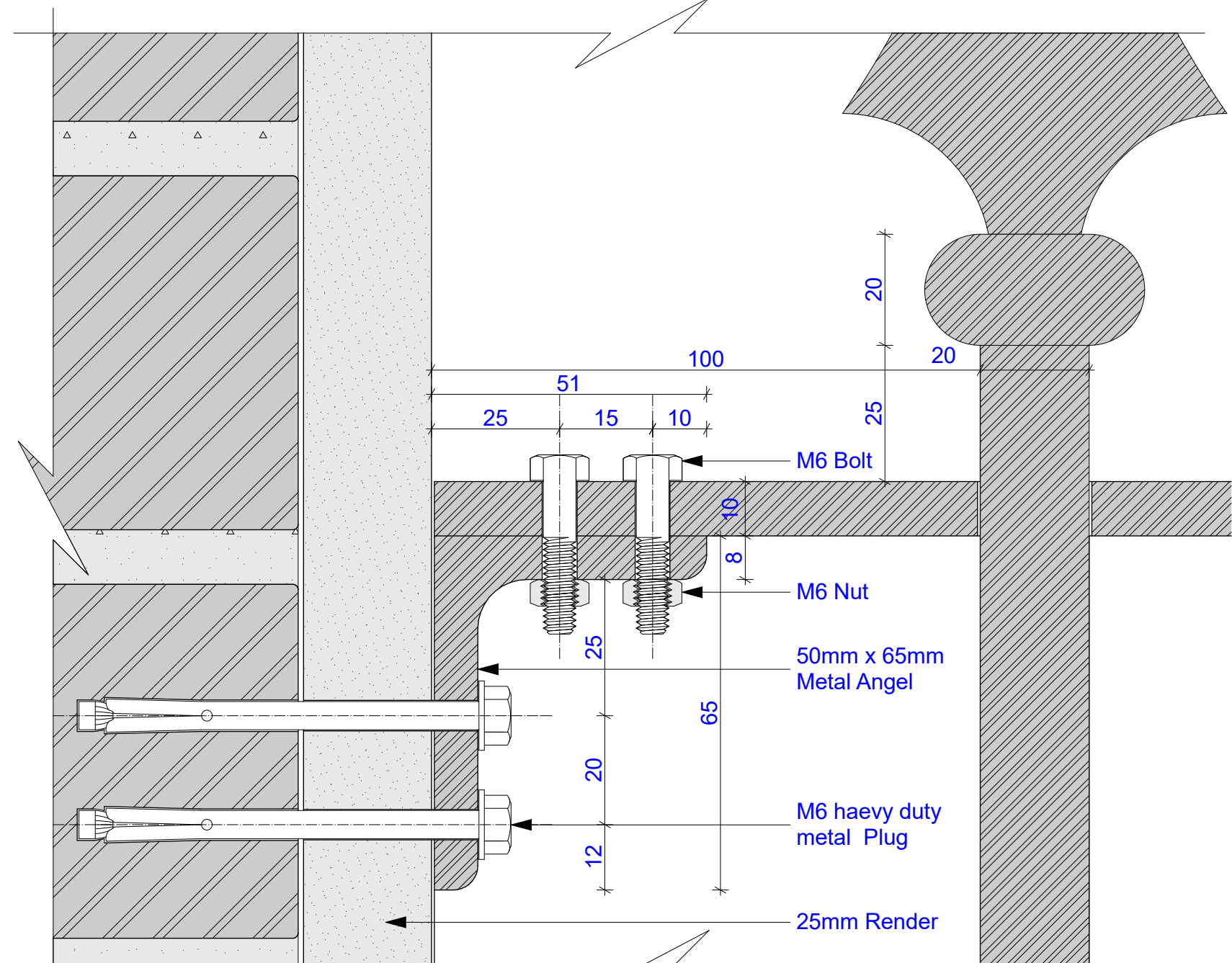
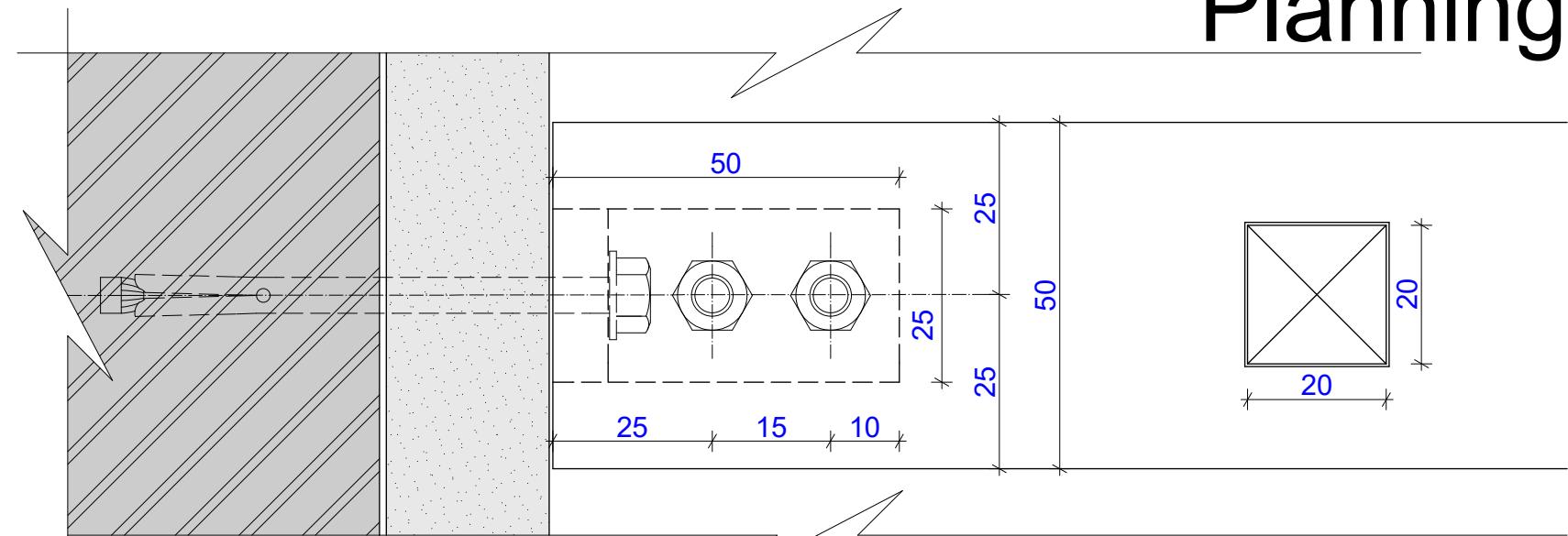
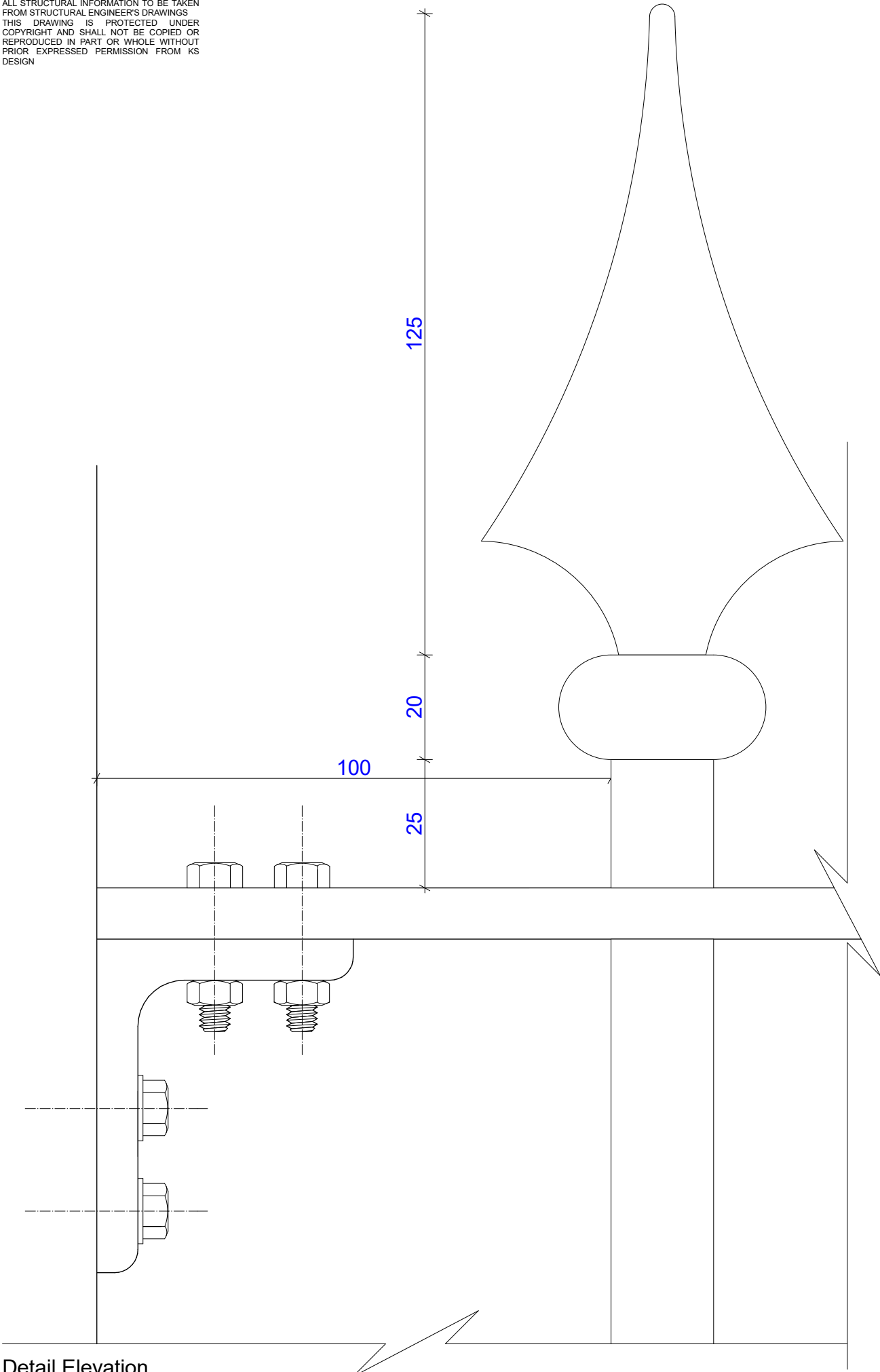


Planning

NOTES:
 ALL DIMENSIONS TO BE CHECK ON SITE AND ANY INCONSISTENCIES MUST BE REPORTED BACK TO KS DESIGN
 ALL STRUCTURAL INFORMATION TO BE TAKEN FROM STRUCTURAL ENGINEER'S DRAWINGS
 THIS DRAWING IS PROTECTED UNDER COPYRIGHT AND SHALL NOT BE COPIED OR REPRODUCED IN PART OR WHOLE WITHOUT PRIOR EXPRESSED PERMISSION FROM KS DESIGN



Detail Elevation

Detail Section