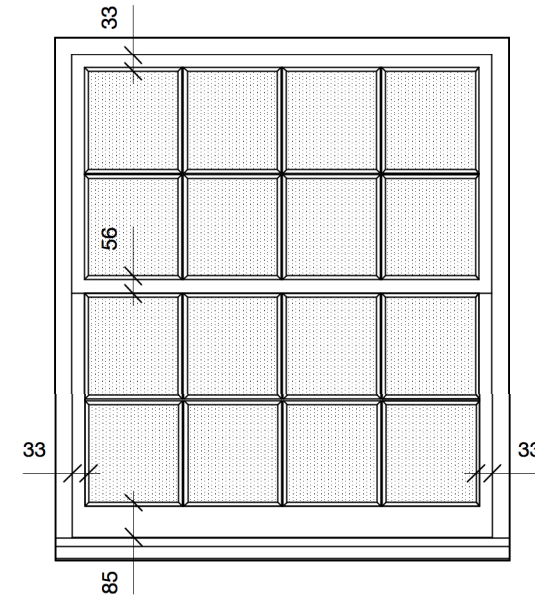
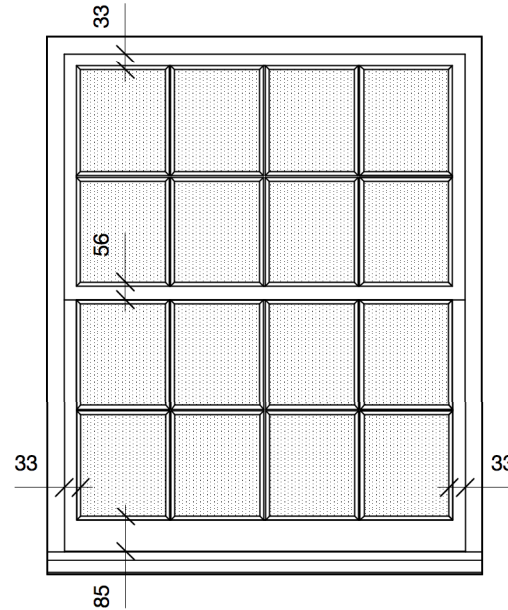
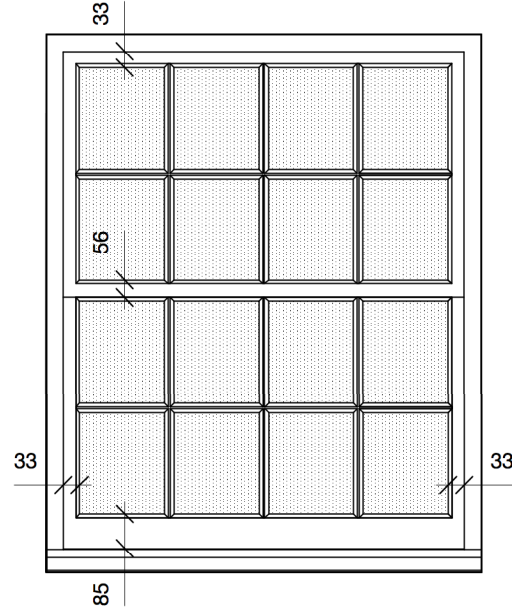
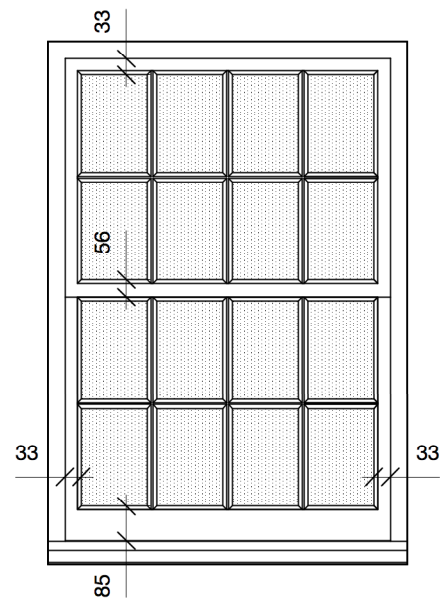


General Notes

1. All glazing beads to be timber profile internally in solid hardwood and putty externally.
2. All windows to be in hardwood and glazed with Pilkington Spacia 6.5mm standard float glass, minimum Rw=39dB to comply with Building Regulations Part N.



Window W.S-01

Existing white uPVC double glazed casement window removed.
 New single glazed, painted timber double hung sash window inserted in to existing opening.
 Painted hardwood timber sill.

Window W.S-02

Existing white uPVC double glazed casement window removed.
 New single glazed, painted timber double hung sash window inserted in to existing opening.
 Painted hardwood timber sill.

Window W.S-03

Existing white uPVC double glazed casement window removed.
 New single glazed, painted timber double hung sash window inserted in to existing opening.
 Painted hardwood timber sill.

Window W.S-04

Existing white uPVC double glazed casement window removed.
 New single glazed, painted timber double hung sash window inserted in to existing opening.
 Painted hardwood timber sill.

<p>GENERAL NOTES</p> <ol style="list-style-type: none"> 1. This drawing is the copyright of Haines Phillips Architects. 2. Do not scale from this drawing. Use figured dimensions only. 3. This drawing must not be used for land transfer purposes, or for construction purposes unless accompanied by an Architect's Instruction. 		<p>DRAWING ISSUE STATUS</p> <table border="1"> <thead> <tr> <th>ISSUE</th> <th>STATUS</th> <th>COMMENT</th> </tr> </thead> <tbody> <tr> <td>P</td> <td>PRELIMINARY</td> <td rowspan="2">For comment and review Planning/Listed Building Application</td> </tr> <tr> <td>PL</td> <td>PLANNING</td> </tr> <tr> <td>BR</td> <td>BUILDING REGS</td> <td rowspan="2">Building Regs Application For pricing purposes only</td> </tr> <tr> <td>T</td> <td>TENDER</td> </tr> <tr> <td>C</td> <td>CONSTRUCTION</td> <td>For procurement & construction</td> </tr> <tr> <td>FC</td> <td>FINAL CONSTRUCTION</td> <td rowspan="2">Record drawings on completion Conveyancing or other legal purposes</td> </tr> <tr> <td>L</td> <td>LEGAL</td> </tr> </tbody> </table>	ISSUE	STATUS	COMMENT	P	PRELIMINARY	For comment and review Planning/Listed Building Application	PL	PLANNING	BR	BUILDING REGS	Building Regs Application For pricing purposes only	T	TENDER	C	CONSTRUCTION	For procurement & construction	FC	FINAL CONSTRUCTION	Record drawings on completion Conveyancing or other legal purposes	L	LEGAL	<p>REVISIONS</p> <table border="1"> <thead> <tr> <th>REV</th> <th>DATE</th> <th>NOTES</th> </tr> </thead> <tbody> <tr> <td>2</td> <td>10/10/19</td> <td>Window horns removed.</td> </tr> </tbody> </table>	REV	DATE	NOTES	2	10/10/19	Window horns removed.	<p>HAINES PHILLIPS ARCHITECTS</p> <p>Tankerton Works 12 Argyle Walk London WC1H 8HA 020 7833 9324 020 7837 2864 office@hainesphillips.co.uk</p>	<p>JOB TITLE 1 St. Mark's Square London NW1 DRAWING TITLE External Window / Door Schedule Sheet 5</p> <p>DRAWN PL DATE July 2019 SCALE 1:20 @ A3 JOB NR 4106 DRAWING - ISSUE - REVISION GA905-PL-Rev2</p>
ISSUE	STATUS	COMMENT																														
P	PRELIMINARY	For comment and review Planning/Listed Building Application																														
PL	PLANNING																															
BR	BUILDING REGS	Building Regs Application For pricing purposes only																														
T	TENDER																															
C	CONSTRUCTION	For procurement & construction																														
FC	FINAL CONSTRUCTION	Record drawings on completion Conveyancing or other legal purposes																														
L	LEGAL																															
REV	DATE	NOTES																														
2	10/10/19	Window horns removed.																														