

# CVAB/CVAT-N



## 5137823500 - CVAB/4-6000/450 N D 0,91KW \*230V\* 50HZ - ACOUSTIC CABINET FANS

Range of direct drive backward curved centrifugal cabinet fans designed for ventilation of commercial kitchens and industrial applications. Cabinet fan manufactured from aluminium profiles and double thickness side panels internally lined with 25 mm thickness of fireproof fiberglass acoustic insulation.

Circular duct connection flange on the inlet and outlet. CVAB-N/CVAT-N incorporates direct drive backward curved centrifugal impeller, manufactured from aluminium (CVAB-N), with motor fitted inside the air stream.

### Motors

CVAB-N

Single-phase external rotor motors 230V 50Hz, IP55, class F, with thermal protection, speed controllable by tension. Working temperature from -40°C to 60°C.

### Theoretical Working Point

Airflow	-
Static Pressure	-
Temperature	20 °C
Altitude	0 m
Density	1.2 kg/m <sup>3</sup>
Frequency	50 Hz
Voltage	1-230V-50Hz

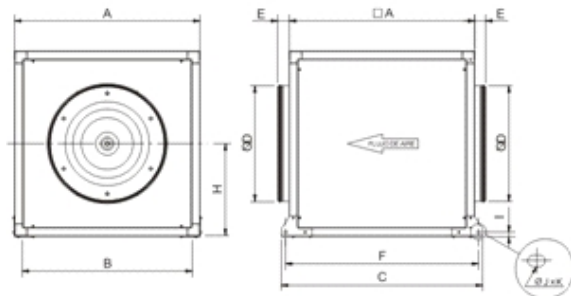
### Construction

Diameter	450 mm
Fan size	450
Weight	46.00 kg

### Motor Characteristics

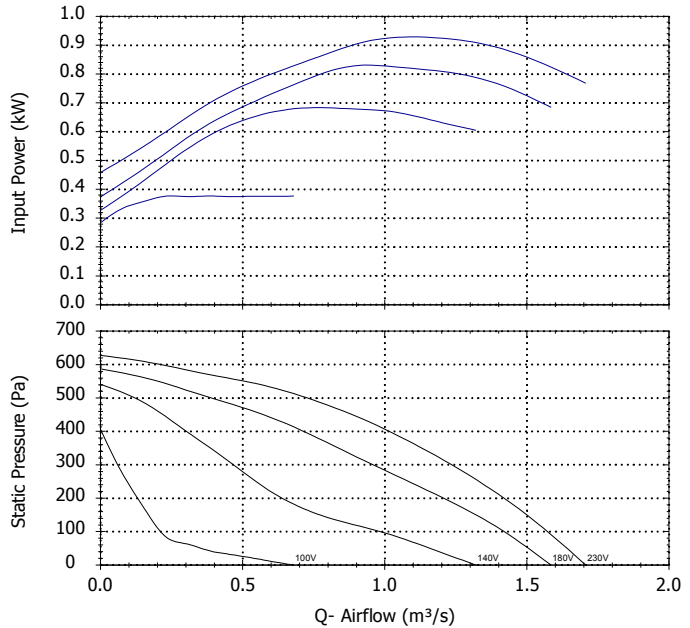
Number of poles	4
Voltage	1-230V-50Hz
Maximum absorbed current	4.0 A
IP Rating	IP55
Motor insulation class	F

### Drawing



A	B	C	∅D	E	F	H	I	J	K
750	707	824	450	58	784	375	23	12	18

### Performance Chart



### Sound Performance

	63	125	250	500	1k	2k	4k	8k	Overall
<b>Inlet (LwA)</b>	50	70	75	78	74	73	68	64	82
<b>Inlet LpA @ 4m</b>	27	47	52	55	51	50	45	41	59
<b>Outlet (LwA)</b>	55	70	73	75	77	71	65	60	81
<b>Outlet LpA @ 4m</b>	32	47	50	52	54	48	42	37	58
<b>Breakout (LwA)</b>	46	67	69	69	67	62	58	54	75
<b>Breakout LpA @ 4m</b>	23	44	46	46	44	39	35	31	52



# CVAB/CVAT-N



## 5137823500 - CVAB/4-6000/450 N D 0,91KW \*230V\* 50HZ - ACOUSTIC CABINET FANS

Range of direct drive backward curved centrifugal cabinet fans designed for ventilation of commercial kitchens and industrial applications. Cabinet fan manufactured from aluminium profiles and double thickness side panels internally lined with 25 mm thickness of fireproof fiberglass acoustic insulation.

Circular duct connection flange on the inlet and outlet. CVAB-N/CVAT-N incorporates direct drive backward curved centrifugal impeller, manufactured from aluminium (CVAB-N), with motor fitted inside the air stream.

### Motors

CVAB-N

Single-phase external rotor motors 230V 50Hz, IP55, class F, with thermal protection, speed controllable by tension. Working temperature from -40°C to 60°C.

### Theoretical Working Point

Airflow	-
Static Pressure	-
Temperature	20 °C
Altitude	0 m
Density	1.2 kg/m <sup>3</sup>
Frequency	50 Hz
Voltage	1-230V-50Hz

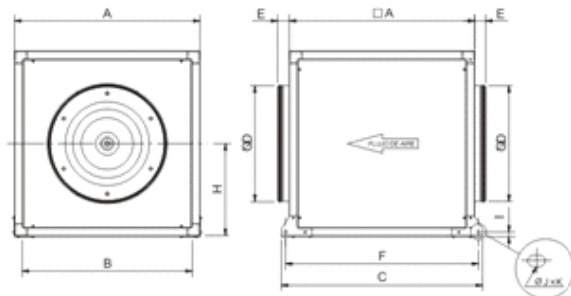
### Construction

Diameter	450 mm
Fan size	450
Weight	46.00 kg

### Motor Characteristics

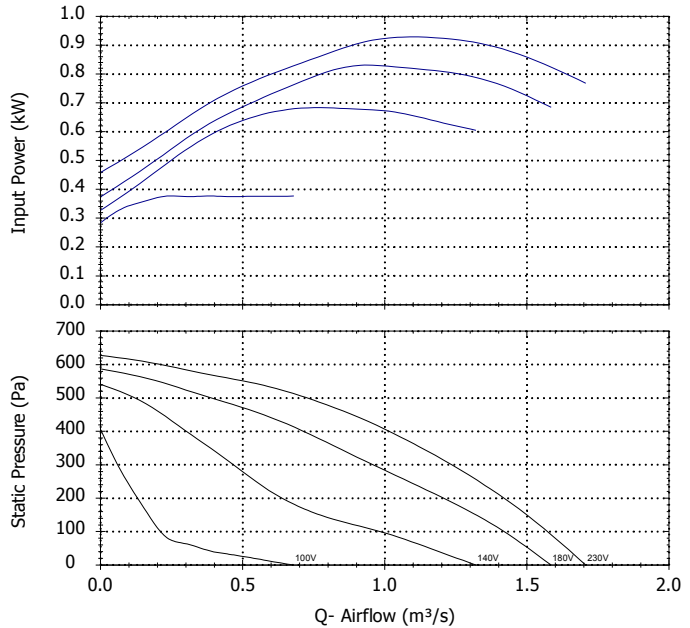
Number of poles	4
Voltage	1-230V-50Hz
Maximum absorbed current	4.0 A
IP Rating	IP55
Motor insulation class	F

### Drawing



A	B	C	∅D	E	F	H	I	J	K
750	707	824	450	58	784	375	23	12	18

### Performance Chart



### Sound Performance

	63	125	250	500	1k	2k	4k	8k	Overall
<b>Inlet (LwA)</b>	50	70	75	78	74	73	68	64	82
<b>Inlet LpA @ 4m</b>	27	47	52	55	51	50	45	41	59
<b>Outlet (LwA)</b>	55	70	73	75	77	71	65	60	81
<b>Outlet LpA @ 4m</b>	32	47	50	52	54	48	42	37	58
<b>Breakout (LwA)</b>	46	67	69	69	67	62	58	54	75
<b>Breakout LpA @ 4m</b>	23	44	46	46	44	39	35	31	52



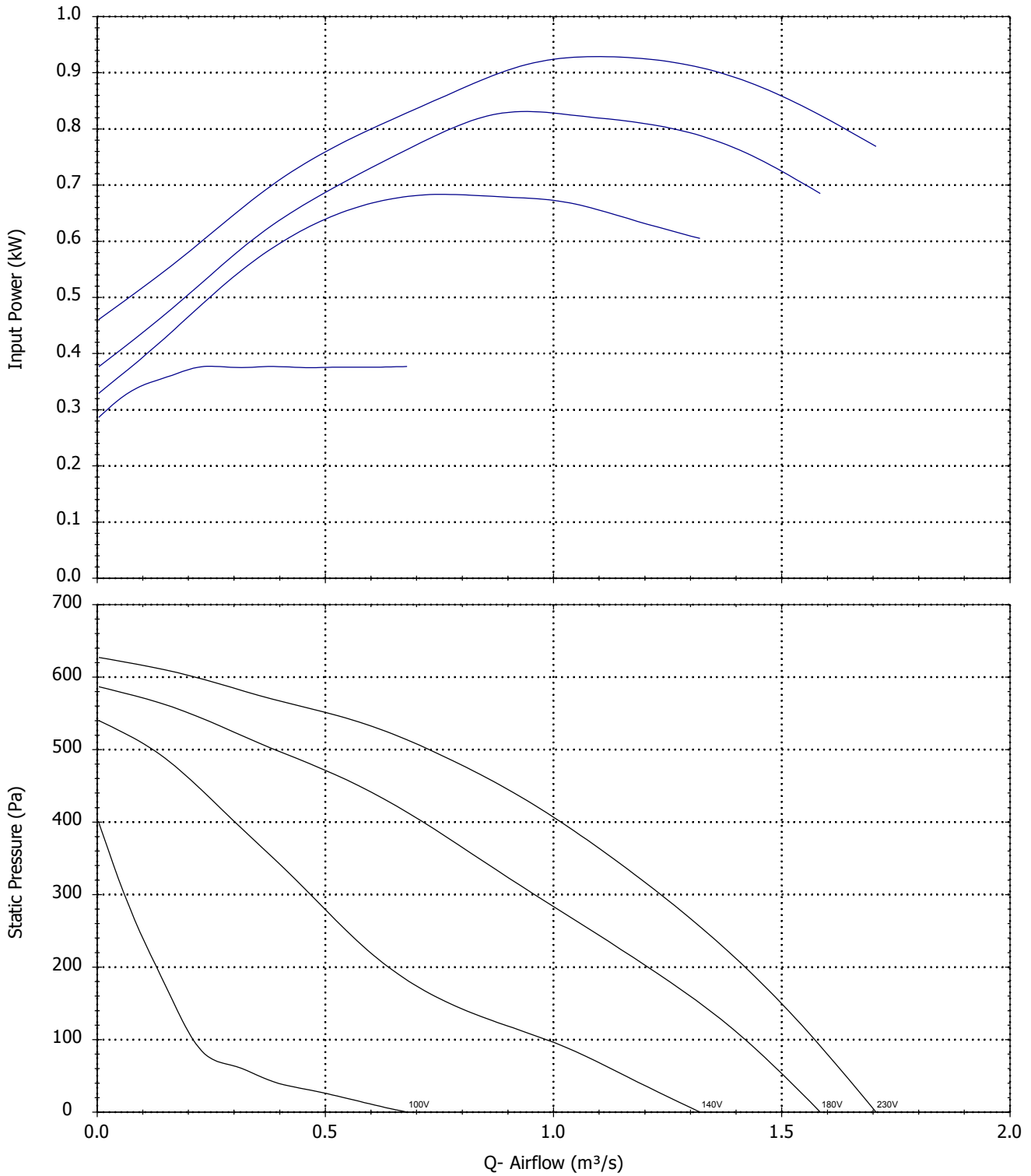
# CVAB/CVAT-N



5137823500 - CVAB/4-6000/450 N D 0,91KW \*230V\* 50HZ - ACOUSTIC CABINET FANS



## Performance Chart



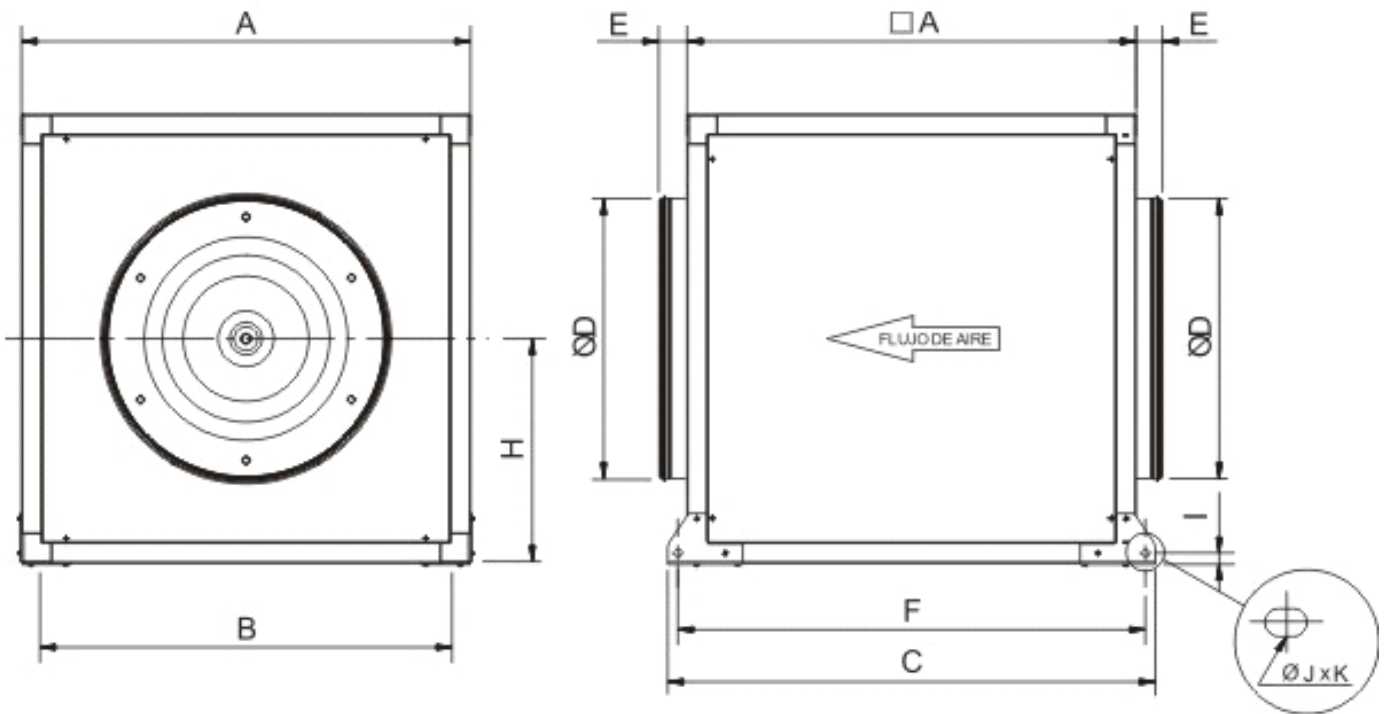
# CVAB/CVAT-N



5137823500 - CVAB/4-6000/450 N D 0,91KW \*230V\* 50HZ - ACOUSTIC CABINET FANS



## Drawing



A	B	C	ØD	E	F	H	I	J	K
750	707	824	450	58	784	375	23	12	18

# CVAB/CVAT-N



5137823500 - CVAB/4-6000/450 N D 0,91KW \*230V\* 50HZ - ACOUSTIC CABINET FANS



## Sound Performance

	<b>63</b>	<b>125</b>	<b>250</b>	<b>500</b>	<b>1k</b>	<b>2k</b>	<b>4k</b>	<b>8k</b>	<b>Overall</b>
<b>Inlet (LwA)</b>	50	70	75	78	74	73	68	64	82
<b>Inlet LpA @ 4m</b>	27	47	52	55	51	50	45	41	59
<b>Outlet (LwA)</b>	55	70	73	75	77	71	65	60	81
<b>Outlet LpA @ 4m</b>	32	47	50	52	54	48	42	37	58
<b>Breakout (LwA)</b>	46	67	69	69	67	62	58	54	75
<b>Breakout LpA @ 4m</b>	23	44	46	46	44	39	35	31	52



Q=1