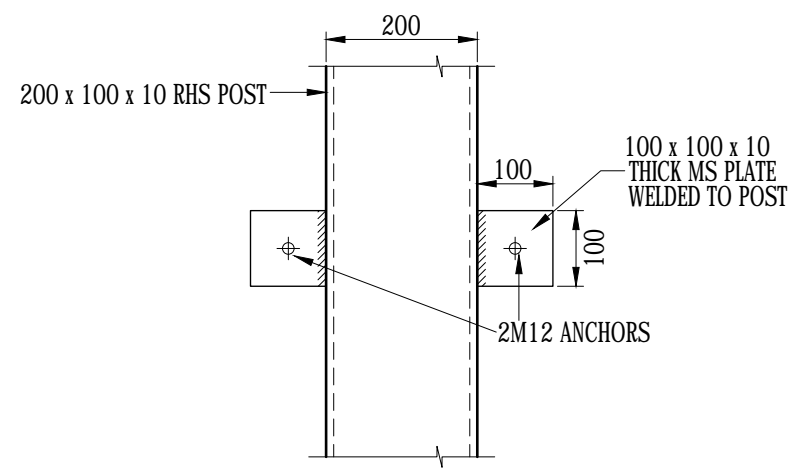


NOTE:
ALL HOLES AROUND STEEL COLUMNS TO BE FILLED WITH SOIL TO FLUSH WITH EXISTING GROUND LEVEL.



PRELIMINARY

Wilde CARTER-CLACK		49 Romney Street London SW1P 3RF	Tel 020 7233 0303	mail@carterclack.co.uk www.carterclack.co.uk
project:	LONDON SCHOOL OF HYGIENE & TROPICAL MEDICINE TP2 TAVISTOCK PLACE			job no: 4159
title:	NORTH-EAST BOUNDARY WALL RESTRAINT DETAILS			sheet no: SK.101
				scale: 1:50, 1:10
				date: JULY 18
				engineer: FB

REV	DRN	CHK	DATE	DESCRIPTION
P3	ASP	TJS	29.10.19	POST / WALL DETAIL AMENDED
P2	ASP	TJS	28.10.19	POST / WALL DETAIL ADDED
P1	ASP	TJS	04.09.19	SECTIONS REVISED