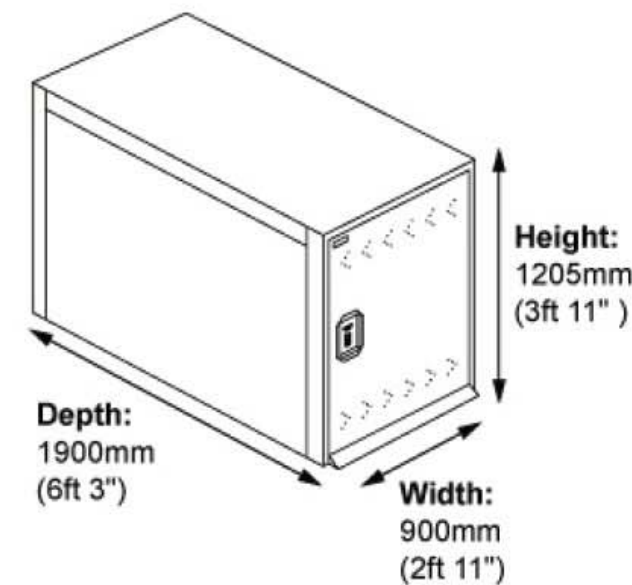
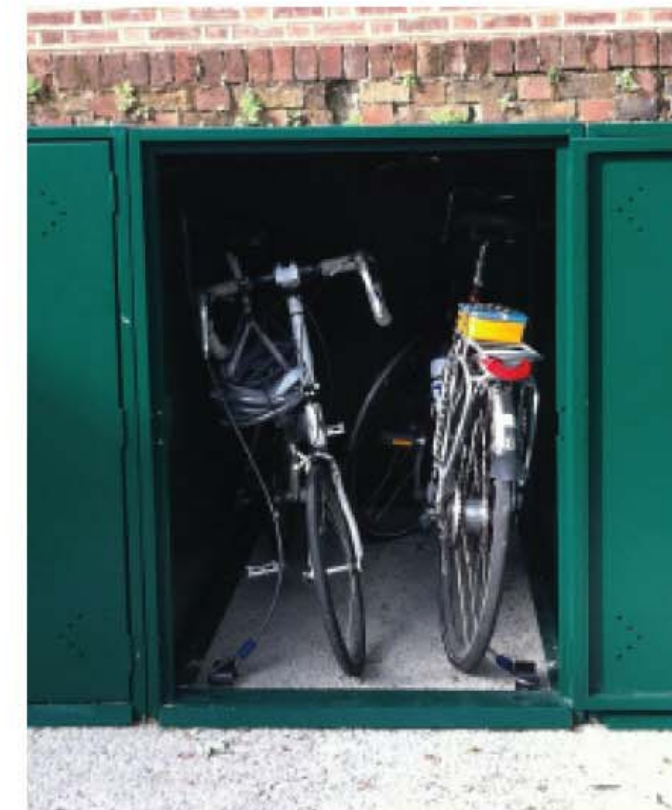


Double Bike Locker

The robust and weatherproof Double Bike Locker is a great way of storing two bikes securely at home or at the workplace. This locker features a large easy access door and a durable three-point locking system which allows the user to secure bikes with ease.

The Double Bike Locker is ideal for areas where space is restricted, but bike security is important. Optional kit hooks are available for storing helmets and clothing inside this metal bike storage unit together with your bike.



Technical Specification

- Stores two bikes
- Durable 3-point locking system
- Integrated metal ramp
- Multiple unit bolt together for additional strength and security
- Optional kit hooks available
- Robust and weatherproof
- Bolts into ground
- Available in dark green, brown or ivory
- Available right-handed or left-handed
- 10Year Warranty – built to last

Dimensions

- Height: 1200mm
- Width: 900mm
- Depth: 1900mm
- Door Aperture: 1110mm x 790mm
- Base Size: 2000mm x 1000mm

Details for proposed bike lockers

171-173 Gray's Inn Road

E18-024/CYC002 Rev: @A3 Date: 22.10.19

No. Date Description