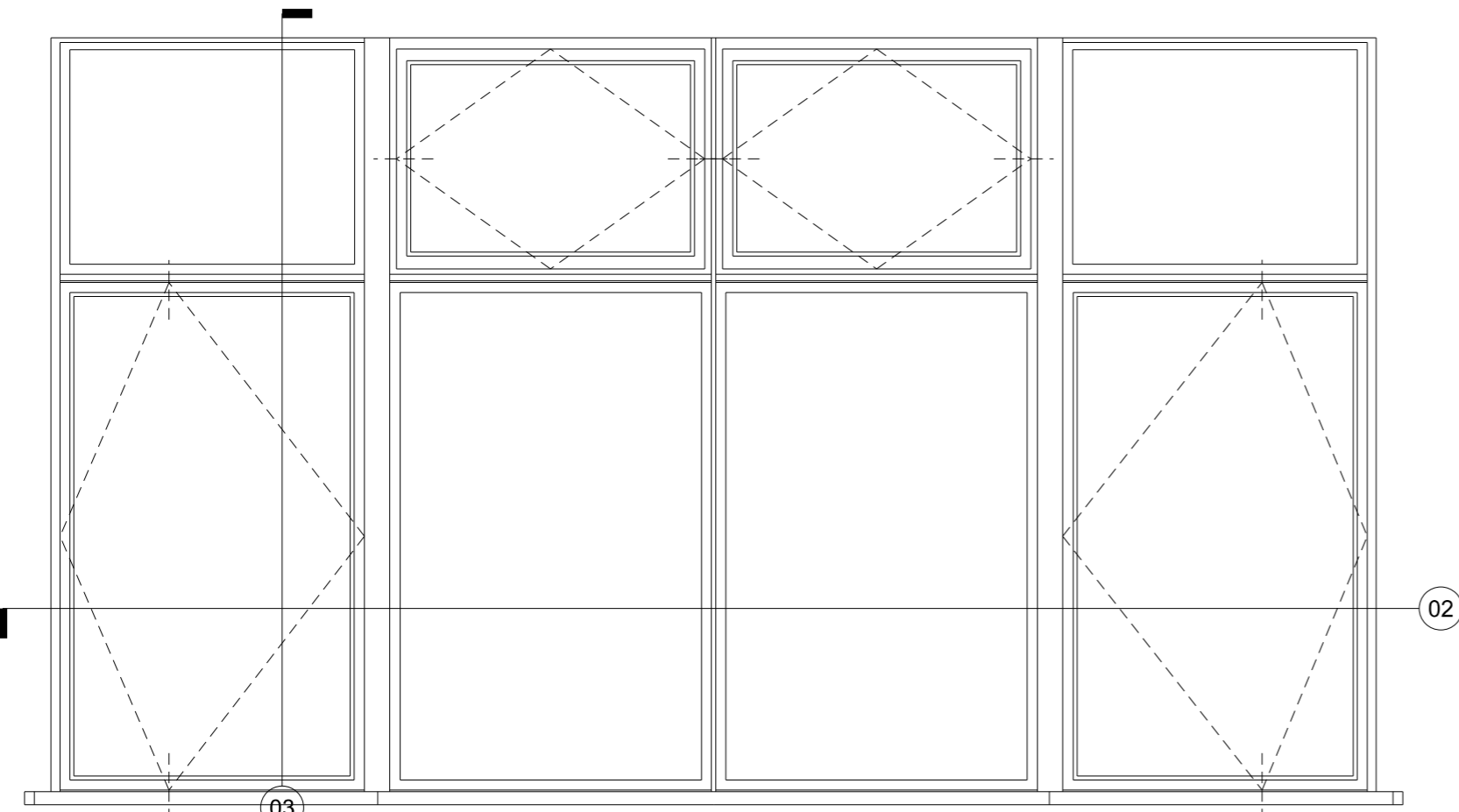
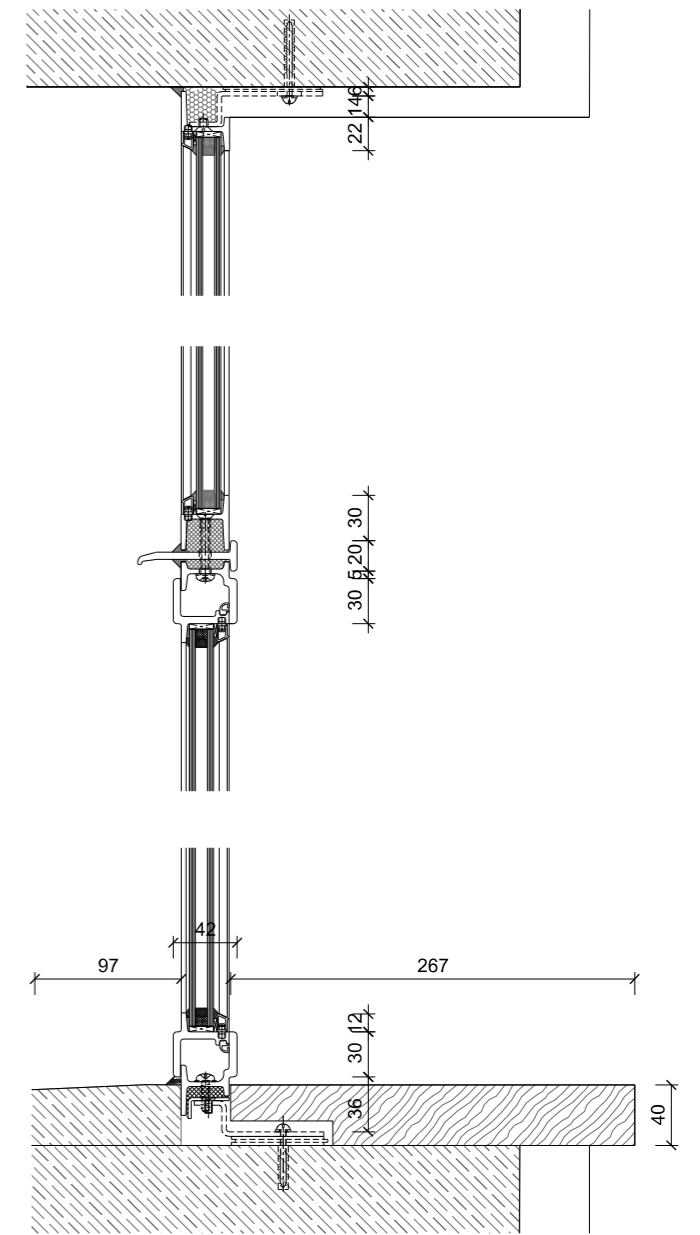


02 Zone 4 No 19 Denmark Street
Z4(31)601 Plan Section Detail 1:5



01 Zone 4 No 19 Denmark Street
Z4(31)601 Internal Elevation 1:20



03 Zone 4 No 19 Denmark Street
Z4(31)601 Vertical Section Detail 1:5



Revisions
01 260719 Issued for Planning

Client
Consolidated Developments

Project
St Giles Fit-Out

Drawing Title
**Zone 4
Shaldon Mansions
Casement Window Details**

Drawing Number	1481_Z4(31)601	REV:	01
Scale	1:20, 1:5	Status	Planning
Drawn by	FG	Date	26/07/19

ianchalkarchitects
70 Cowcross Street London EC1M 6EJ / 0203 7807355 / ianchalkarchitects.com

Do not scale. All dimensions to be confirmed on site. Information contained in this drawing is the sole copyright of Ian Chalk Architects and is not to be reproduced without permission.