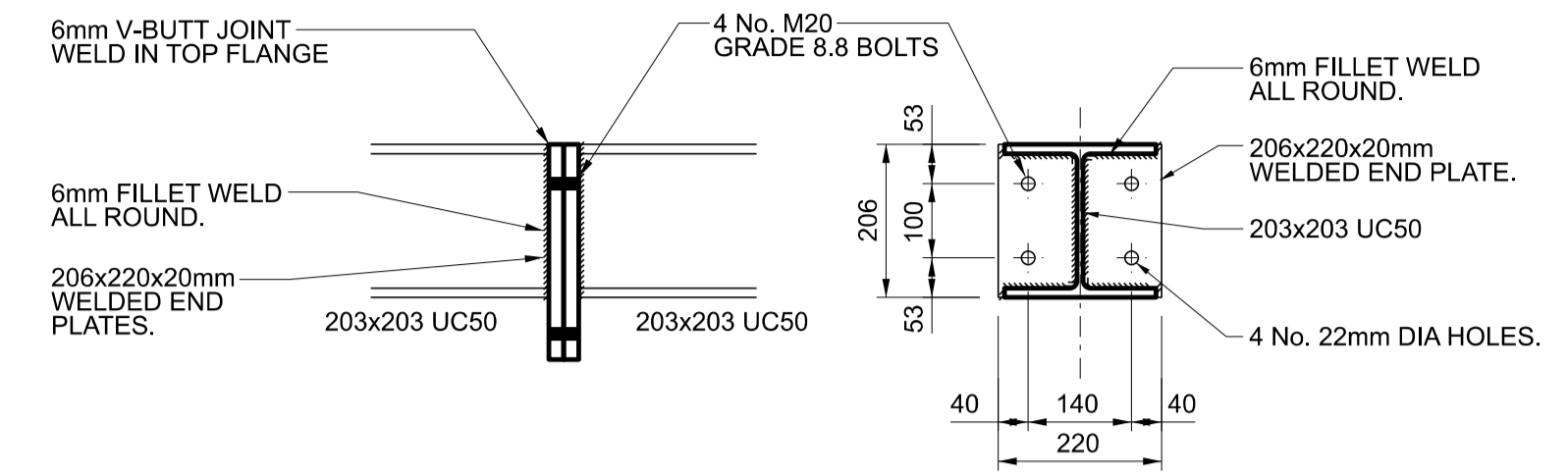
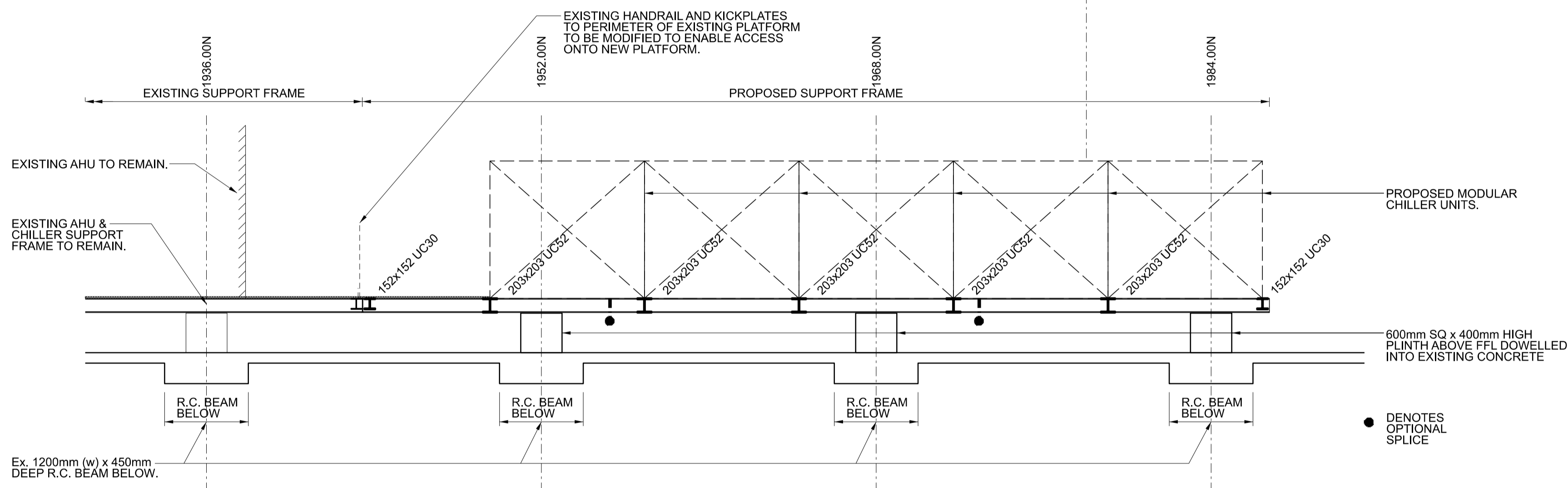


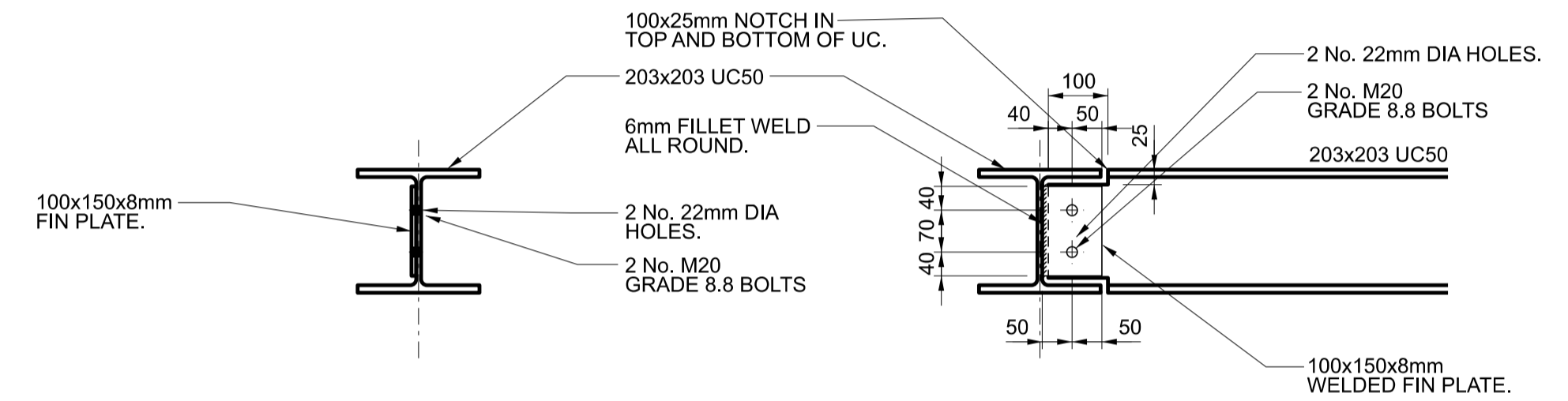
SECTION A-A  
SCALE 1:50



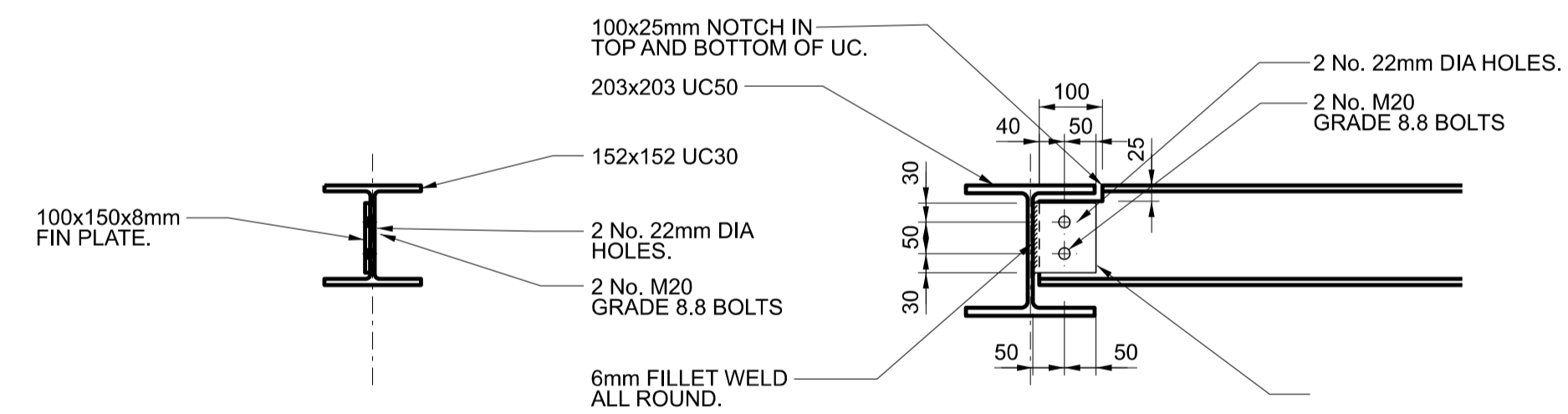
TYPICAL SPLICE DETAIL (OPTIONAL)  
SCALE 1:10



SECTION B-B  
SCALE 1:50



TYPICAL 203 UC50 TO 203 UC50 CONNECTION DETAIL  
SCALE 1:10



TYPICAL 152 UC30 TO 203 UC50 CONNECTION DETAIL  
SCALE 1:10

T1	04/10/2019	TENDER ISSUE.	MDG
Rev:	Date:	Description:	Initials:

**Wareham & Associates**  
Tudor House, 1-3 The Avenue, Lightwater, Surrey, GU19 5RF  
Telephone: 01783 451666  
Web: www.warehamandassociates.co.uk

Client: **THE ROYAL FREE NHS FOUNDATION TRUST**

Project: **4TH FLOOR 'H' WEST CHILLER SUPPORT**

Drawing Title: **PROPOSED CHILLER FRAME SECTIONS AND DETAILS**

Scales: 1:50 @ A1 UOS	
Originated: MDG	Date: Sept 2019
Checked: DW	Date: Sept 2019
Drawing Number: <b>19-1633-SL-006</b>	
Revisions: T1	Status: TENDER