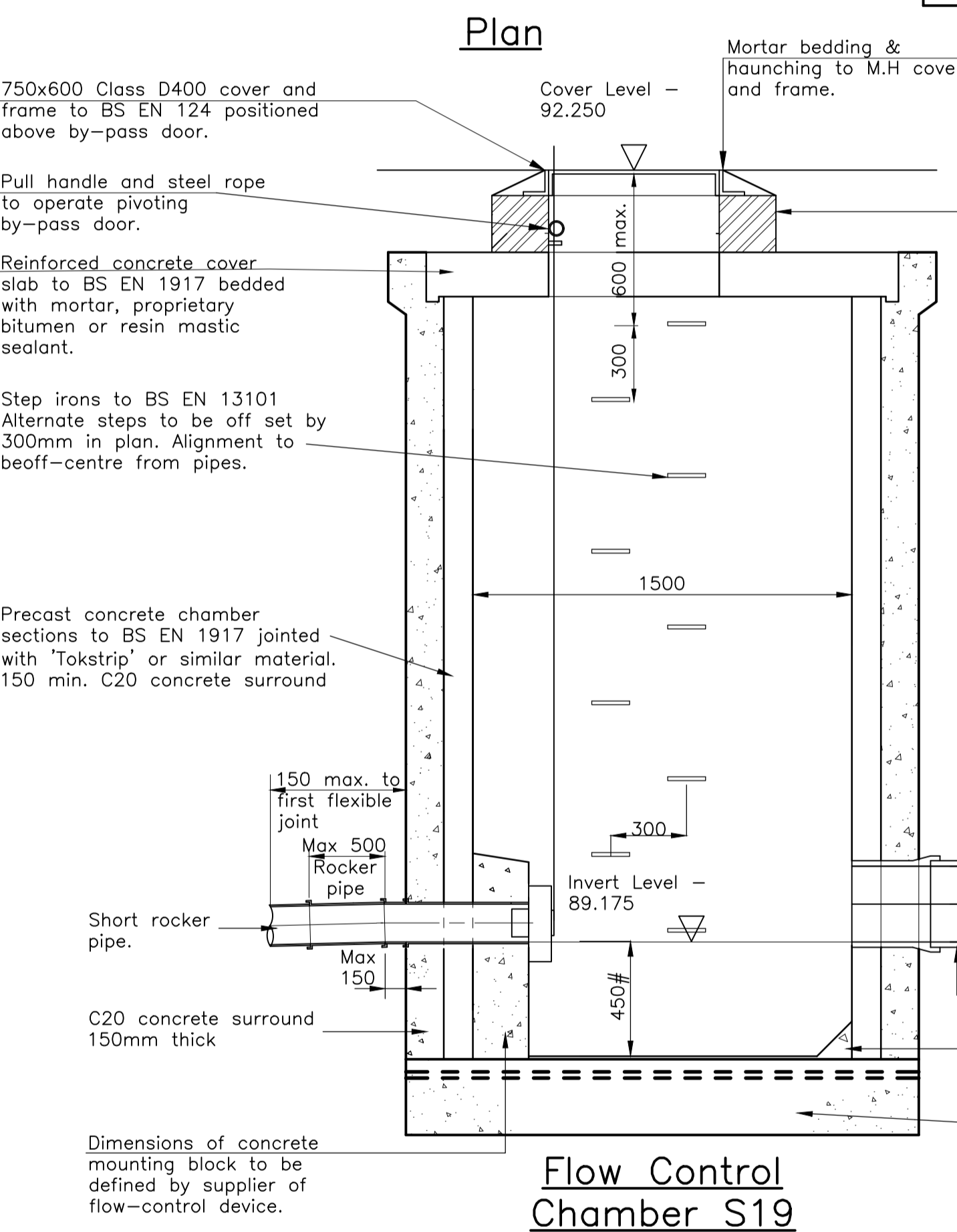
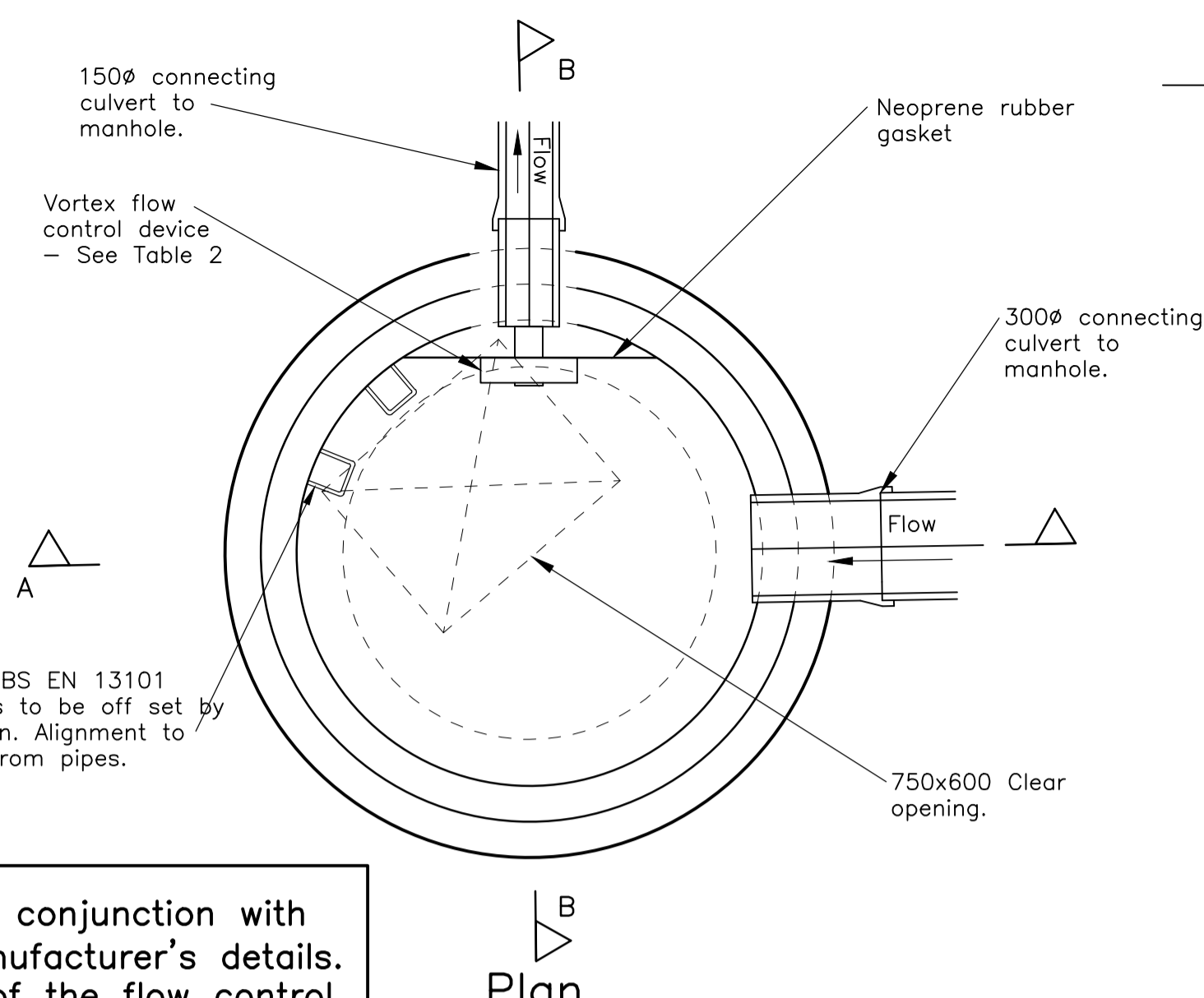
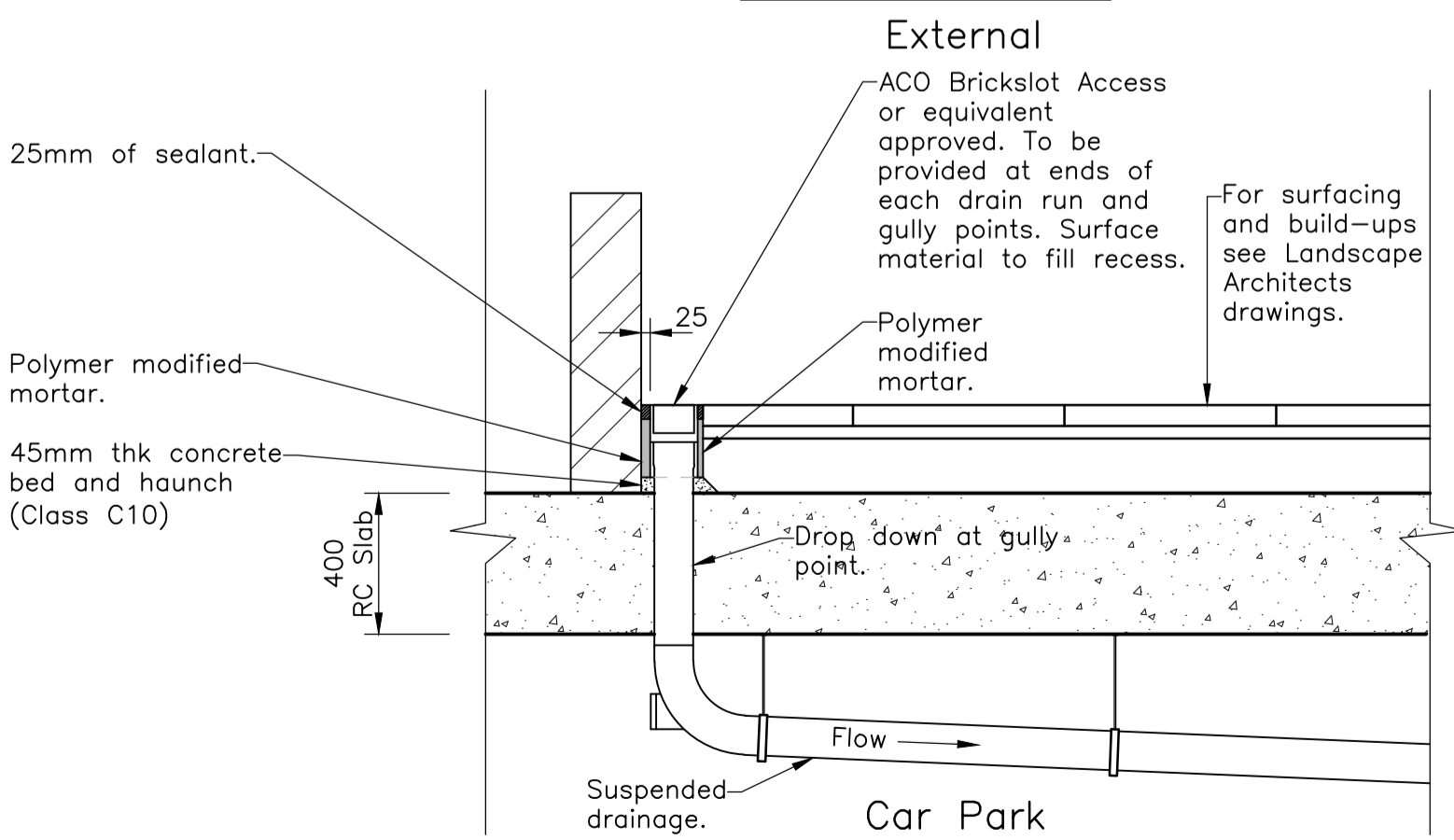


To be read in conjunction with flow control manufacturer's details. Representation of the flow control devices is schematic only.

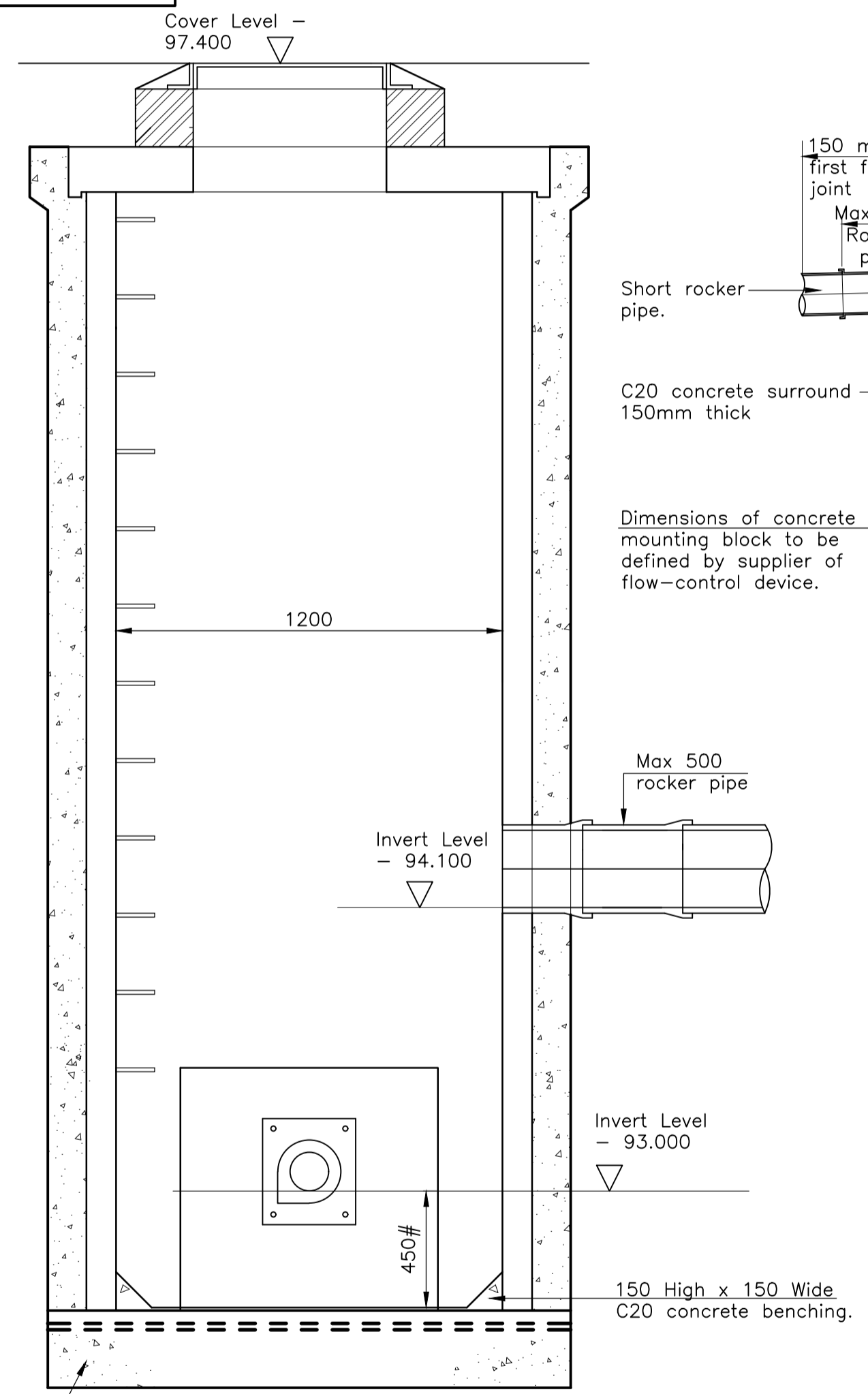


Flow Control Chamber S19



Slot Drain Outlet/ Rodding Detail - Podium Deck

For location of outlets & rodding points see drg 204.



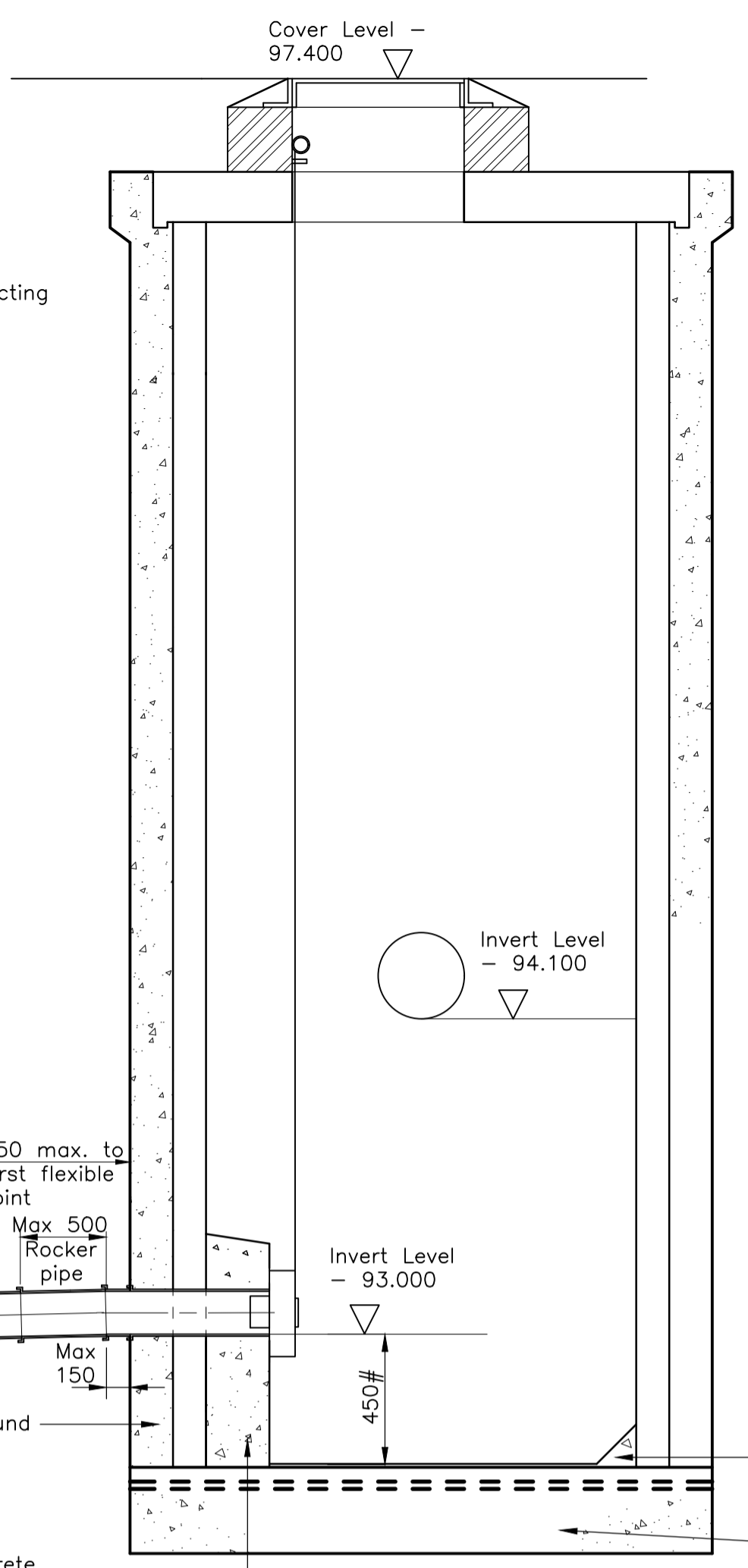
Flow Control Chamber S2 Section A-A

Table 2 - Flow Control Requirements

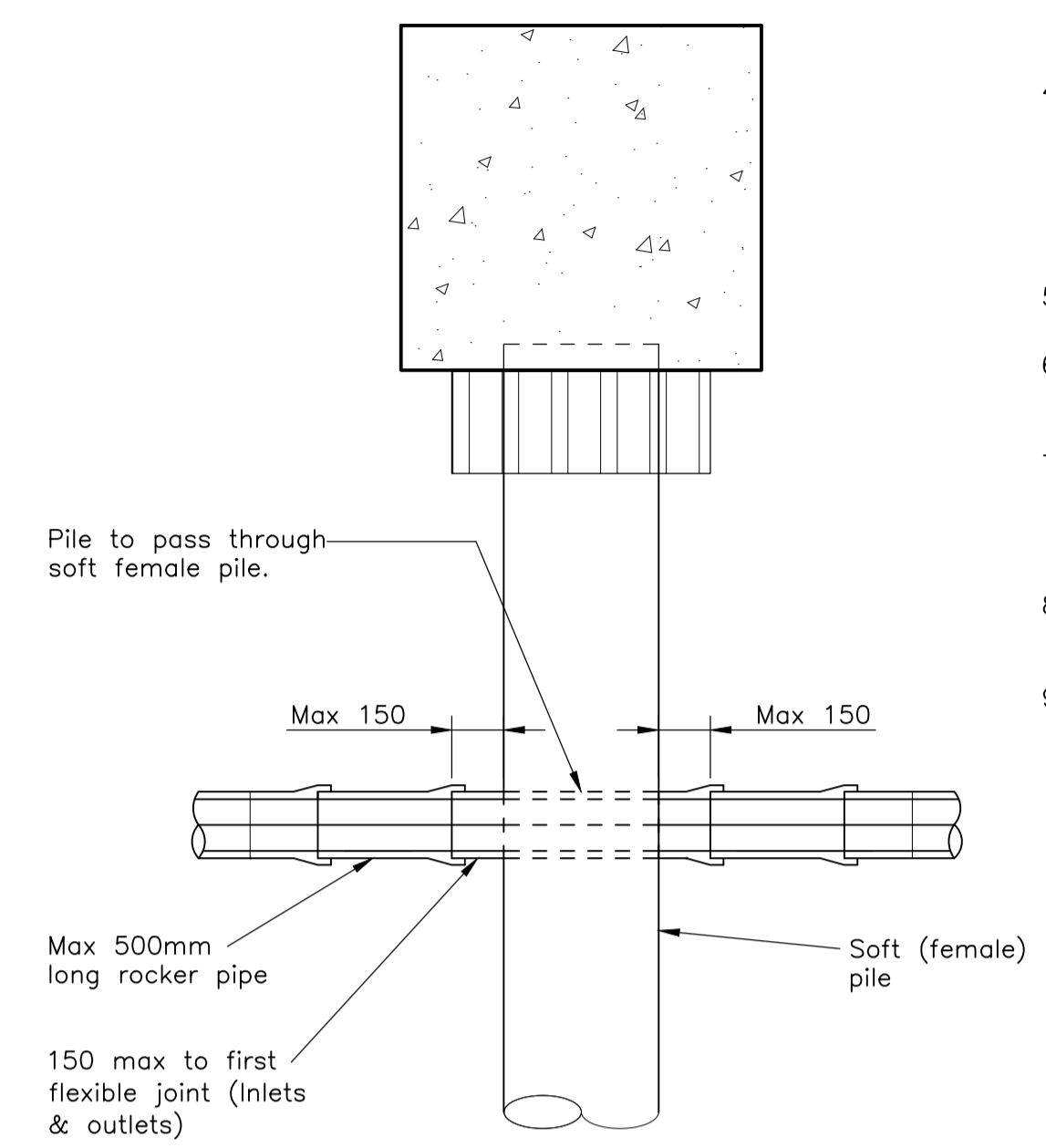
MANHOLE REF	MAX FLOW	MAX HEAD	EQUIVALENT HYDROBRAKE MODEL
S1	5 l/s	2.400m	MD-SHE-0088-5000-2400-5000
S2	8.8 l/s	3.500m	MD-SHE-0107-8800-3500-8800
S19	5 l/s	1.875m	MD-SHE-0093-5000-1875-5000

NOTE: The models shown in the right-hand column relate to vortex flow control devices supplied by Hydro International Ltd. Equivalent approved flow controls may be considered - See Note 7.

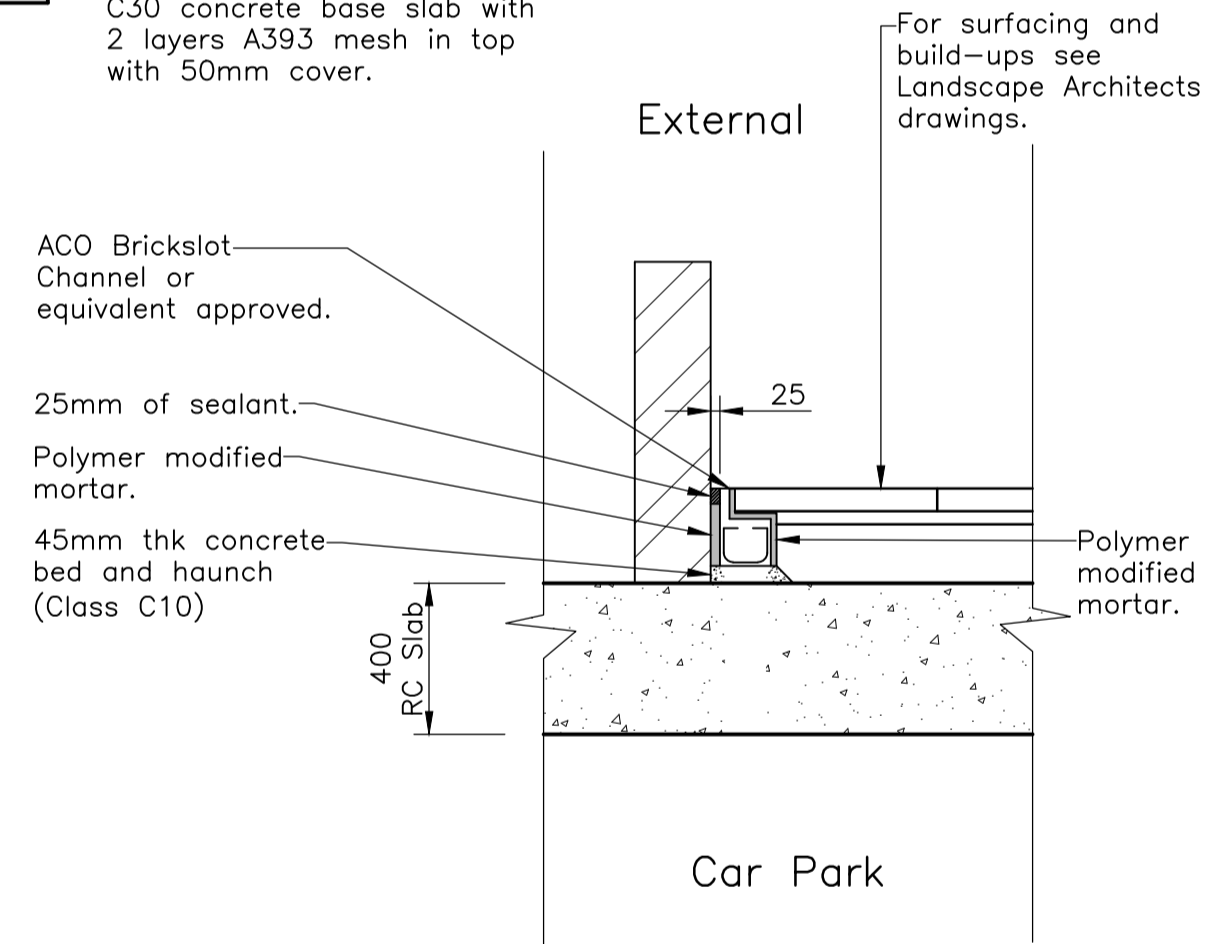
Sump depth may vary should an alternative flow control product be utilised.



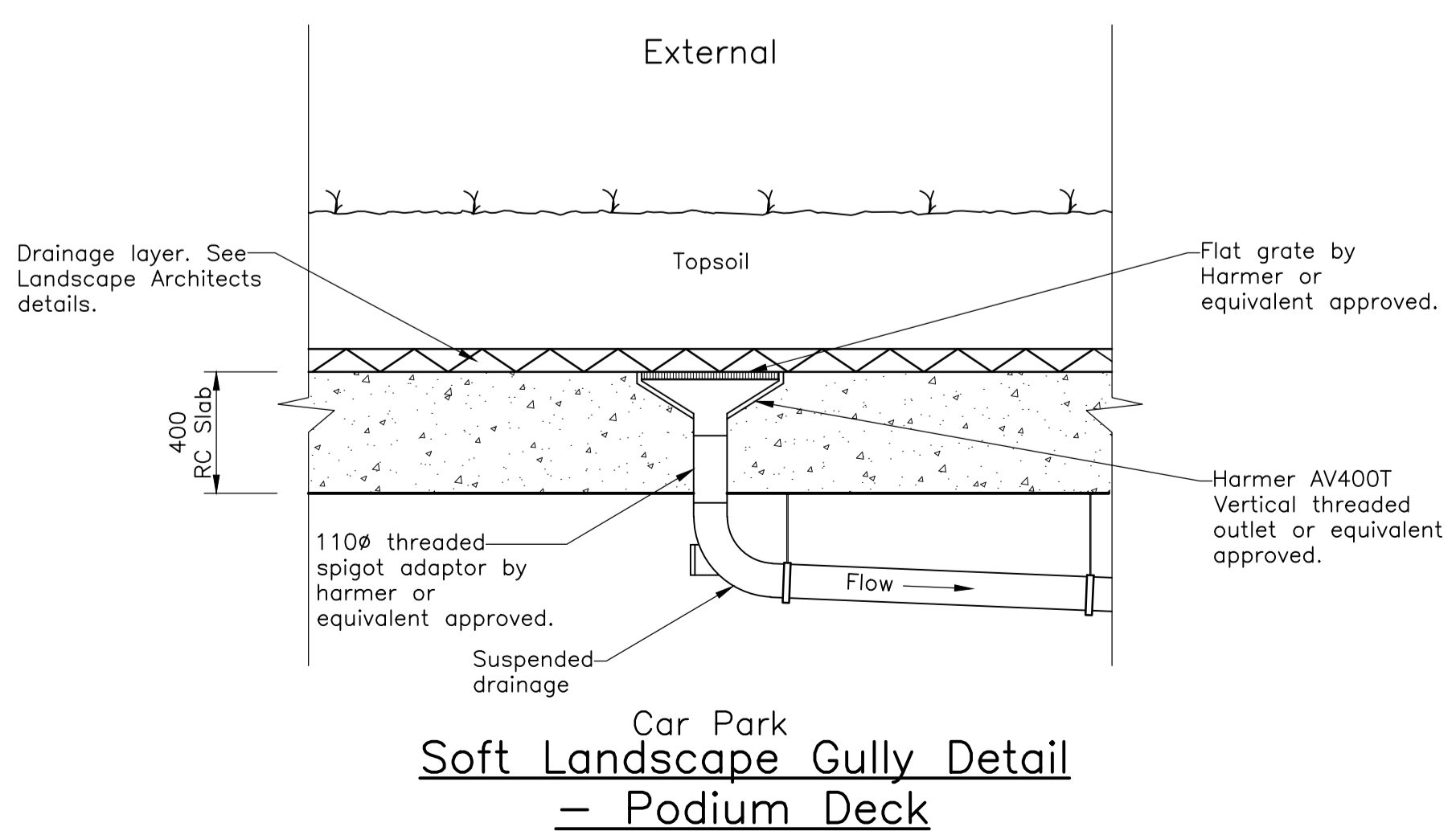
Section B-B



Typical Detail of Drainage Through a Piled Wall



Slot Drain Detail Hard Landscape - Podium Deck



Car Park Soft Landscape Gully Detail - Podium Deck

General Notes

- All manhole covers and frames are to be in accordance with BS EN124.
- All dimensions are in millimetres unless otherwise stated.
- Pipes and channels to be either: Concrete to BS EN 1916 & BS 5911 Extra Strength Vitrified Clay to BS EN 295 Unplasticised PVC to BS EN 1401
- All concrete used in drainage works shall comply with BRE Special Digest SD1 for the following aggressive conditions in the ground:
 - Design sulphate class DS-1
 - Aggressive chemical environment class AC-Zz
 - Design concrete class DC-Zz
 - No additional protective measures required.
- All drainage to be constructed in accordance with BS EN 752.
- Proprietary products shown on drawing shall be installed entirely in accordance with the manufacturer's specification
- Where a proprietary product is specified a "equivalent approved" product may be utilised following submission to and approval by the Engineer. It should be noted that use of alternative products may result in various dimensional changes to adjacent elements of the works.
- The Contractor shall provide adequate protection to all drainage works from potential construction plant loading prior to achievement of final proposed surface levels.
- All drainage is to be CCTV surveyed and a copy of the findings is to be issued to the Employer prior to final hand-over.

AS BUILT DRAWING
This drawing has been provided as an 'As Built' drawing based on information provided by MOUNT ANVIL.

- AB1 19.09.18 Issued 'As Built'. JW SFK
- C3.04.10.17 Flow control ref and chamber diameter for S2 amended. SFK
- C2.18.07.17 Soft landscaping gully detail added. Slot drain detail added. Slot drain outlet/rodding detail added. Cover location amended on manhole S2. JSR SFK
- C1.20.03.17 Typical detail of drainage through a pile added. Manhole S2 detail amended. JSR SFK
- 21.12.16 First issue under amended drawing number, previous drawing No. 9100-DRG-28Y-DE281. Manhole S1 removed. JSR SFK

REV	DATE	DESCRIPTION	BY	CHK'D



TITLE: Private Drainage Details Sheet 2 of 2

PROJECT: Project No. 11581 Kilderpore Avenue

SCALE: 1:200A1 DATE: March 2015 DRAWN: JSR CHK'D: SFK

JOB NO. DRG NO. REV.

9100-DRG-34YY-DE281AB1

Tully De'Ath consultants
Engineering at its Best

T: 01342 828 000
E: info@tullydeath.com
W: www.tullydeath.com