

PROPOSED EQUIPMENT

CABINET DETAILS:
 1No. B15 3900A (STACKED) ON 200mm HIGH PLINTH ON
 ROOT FOUNDATION
 DIMENSIONS: 600x480x1600 HIGH
 MATERIAL: STEEL
 COLOUR: BLACK

CABINET DETAILS:
 1No. MK4 LINK/AC CABINET ON ROOT FOUNDATION
 DIMENSIONS: 600x500x1520 HIGH
 MATERIAL: STEEL
 COLOUR: BLACK

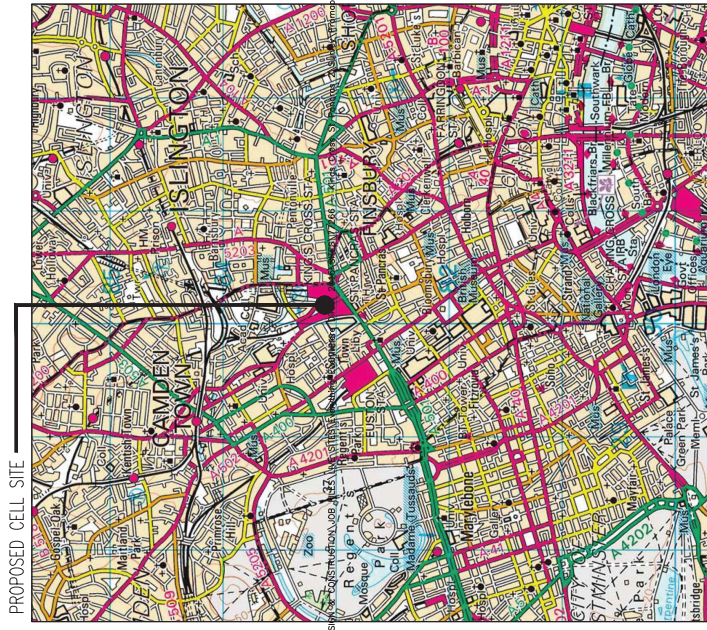
TOWER DETAILS:
 11.00m HIGH ALPHA8 MONOPOLE ON NEW D9-4 ROOT
 FOUNDATION
 MATERIAL: STEEL
 COLOUR: BLACK

PROPOSED WORKS

- INSTALL NEW MK4 LINK/AC CABINET ON NEW ROOT FOUNDATION.
- INSTALL NEW INCOMING POWER & TRANSMISSION SUPPLY TO EQUIPMENT.
- INSTALL NEW B153900A (STACKED) ON NEW ROOT FOUNDATION & CONNECT TO POWER/TRANSMISSION.
- INSTALL NEW 11.00m ALPHA8 MONOPOLE ON NEW D9-4 ROOT FOUNDATION.
- NEW REC POWER SUPPLY & TRANSMISSION TO BE BROUGHT TO SITE BY LOCAL SERVICE PROVIDER.

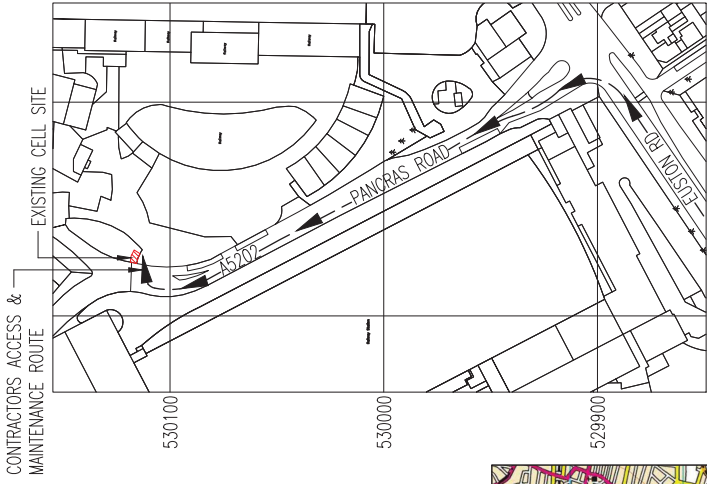
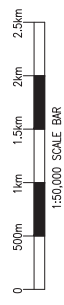
DEPENDENCY	STATUS
Asbestos	N/A
Building Regulations	N/A
Fixit Form	N/A
Global Design Check	GDC In Progress
ICNRP Conformity	Complies to GSD008 Without Control
Underground Services	N/A
Structural Check	In Progress
Cooling Check	N/A Outdoor units
Trial Hole Required?	N/A
LOS survey required?	N/A

EXCLUSION ZONES CONFORM TO THE ICNRP REFERENCE LEVEL FOR LIMITED EXPOSURE TO MEMBERS OF THE GENERAL PUBLIC



LOCATION MAP

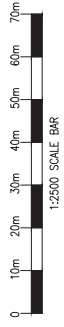
REPRODUCED FROM ORDNANCE SURVEY PROMAP DATA© CROWN COPYRIGHT 2017
 LICENCE NUMBER 100020449



NGR E 530126
 NGR N 183117

LOCATION PLAN

REPRODUCED FROM ORDNANCE SURVEY
 PROMAP DATA© CROWN COPYRIGHT 2017
 LICENCE NUMBER 100020449



NOM/RDS DATE/REV.
 NOM. 12/10/2018

SITE DIRECTIONS:-
 TRAVEL SOUTH ON THE M1, EXIT THE MOTORWAY SIGNED EAST ON THE NORTH CIRCULAR ROAD FOR CENTRAL LONDON & BRENT CROSS. USE THE RIGHT LANE TO MERGE ONTO THE NORTH CIRCULAR ROAD, THEN USE THE 2ND FROM THE LEFT LANE TO TAKE THE SLIP ROAD FOR CENTRE LONDON W. AT THE ROUNDABOUT, TAKE 3RD EXIT TOWARDS C LONDON/KILBURN/CRICKLEWOOD. THEN TURN SLIGHTLY LEFT ONTO HENDON WAY/A41.
 AFTER APPROX 3 MILES TURN LEFT ONTO ADELAIDE ROAD/B509. TURN RIGHT ONTO HAVERSTOCK HILL/A502. TURN LEFT ONTO CASTLEHAVEN ROAD/A502. CONTINUE ON THIS ROAD AND IT WILL TURN TO CAMDEN STREET/A400.
 TURN LEFT ONTO CROWNDALE ROAD/B512. CONTINUE ON PANCRAS ROAD/A5202. THEN ONTO MIDLAND ROAD. USE THE 2 LEFT LANES TO TURN SLIGHTLY LEFT TO STAY ON MIDLAND ROAD.
 USE ANY LANE TO TURN LEFT ONTO EUSTON ROAD/A501. TURN LEFT ONTO PANCRAS ROAD/A5202.
 SITE IS LOCATED NEXT TO BIKE RACKS OUTSIDE OF KINGS CROSS STATION.

No.	Revision	Date	By	ckd
B	M/W DISHES REMOVED	23.09.19	JP	PC
A1	PRELIMINARY ISSUE FOR APPROVAL	21.12.18	PK	DA



Hatfield Business Park, Hatfield
 Hertfordshire, AL10 9BW
 Tel: 01707 315000



WHP Telecoms Ltd
 Unit 1 Maple Park
 Lowlands Road, Leeds
 LS12 6PH
 Tel: 0113 3023550 Fax: 0113 2878654
 e-mail: info@whpteles.com

Site Name & Address:

ST PANCRAS SW
 PANCRAS ROAD, KINGS CROSS
 LONDON, N1C 4BU

Title:
 PROPOSED TELECOMMUNICATIONS
 STREETWORKS UPGRADE
 SITE LOCATION

Purpose of Issue:

APPROVAL

Drawing No: 77266 - 01

Cell No: 77266 Site No: 1542284

Issue:	Scale:	AS STATED	CH'd:	DA	Date:	19.12.18
B	Dwn:	PK	Date:	19.12.18	App:	DA
			Date:	19.12.18		Date:

NOM/RDS DATE/REV.
 NOM. 12/10/2018

- NOTE:
1. STREETWORKS SAFETY SIGN ATTACHED TO TOWER
 2. 2000 BELOW ANTENNA ON ACCESS SIDE
 3. ELECTRICAL SAFETY SIGN TO BE FITTED ON OUTSIDE OF METER CABINET DOOR (SECURE FLEX)
 4. ENTRY SIGN TO BE FITTED ON INSIDE OF STREETWORKS CABINET DOORS
 5. ANTENNA-1 SAFETY SIGN TO BE FITTED TO TOWER
 6. 200 BELOW EACH ANTENNA ON BORE SIGHT

No.	Revision	Date	By	ckd
B	I/W DISHS REMOVED	23.09.19	JP	PC
A1	PRELIMINARY ISSUE FOR APPROVAL	21.12.18	PK	DA



Hatfield Business Park, Hatfield
 Hertfordshire, AL10 9BW
 Tel: 01707 315000



WHP Telecoms Ltd
 Unit 1 Maple Park
 Lowfields Road, Leeds
 LS12 6HH
 Tel: 0113 3023550 Fax: 0113 287854
 e-mail: info@whptelesoms.com

Site Name & Address:

ST PANCRAS SW
 PANCRAS ROAD, KINGS CROSS
 LONDON, N1C 4BU

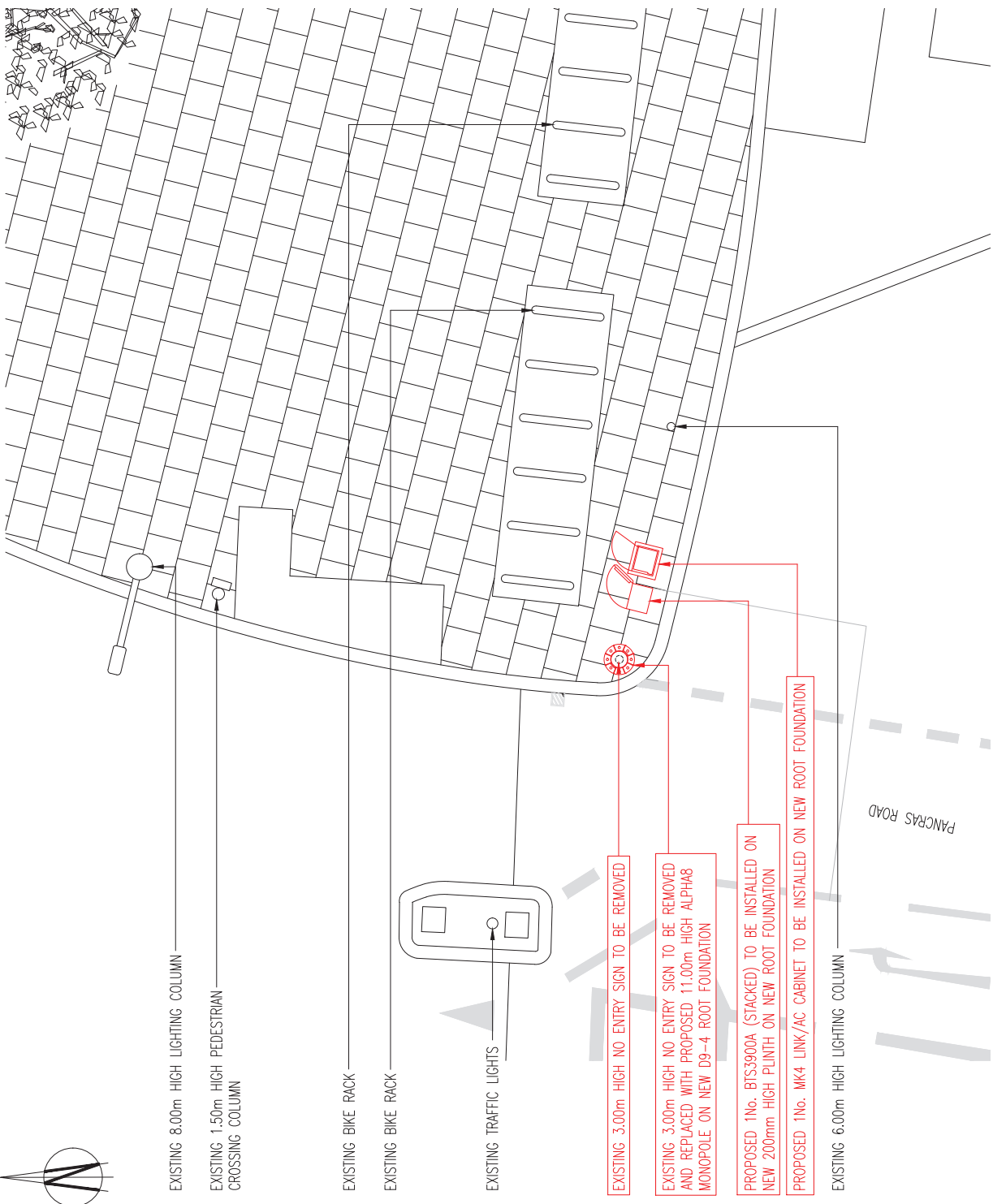
Title:
 PROPOSED TELECOMMUNICATIONS
 STREETWORKS UPGRADE
 SITE LAYOUT

Purpose of Issue:
 APPROVAL

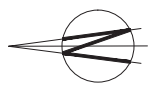
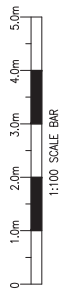
Drawing No: 77266 - 13

Cell No: 77266 Site No: 1542284

Issue:	Scale:	AS STATED	Ch'd:	DA	Date:	19.12.18
B	Dwn:	PK	Date:	19.12.18	App:	DA
			Date:	19.12.18		



SITE PLAN



EXISTING 8.00m HIGH LIGHTING COLUMN

EXISTING 1.50m HIGH PEDESTRIAN CROSSING COLUMN

EXISTING BIKE RACK

EXISTING BIKE RACK

EXISTING TRAFFIC LIGHTS

EXISTING 3.00m HIGH NO ENTRY SIGN TO BE REMOVED

EXISTING 3.00m HIGH NO ENTRY SIGN TO BE REMOVED AND REPLACED WITH PROPOSED 11.00m HIGH ALPHA8 MONOPOLE ON NEW D9-4 ROOT FOUNDATION

PROPOSED 1No. BTS3900A (STACKED) TO BE INSTALLED ON NEW 200mm HIGH PLINTH ON NEW ROOT FOUNDATION

PROPOSED 1No. MK4 LINK/AC CABINET TO BE INSTALLED ON NEW ROOT FOUNDATION

EXISTING 6.00m HIGH LIGHTING COLUMN

NOM/RDS DATE/REV.
 NOM. 12/10/2018

No.	Revision	Date	By	ckd
B	I/W DISHES REMOVED	23.09.19	JP	PC
A1	PRELIMINARY ISSUE FOR APPROVAL	21.12.18	PK	DA



Hatfield Business Park, Hatfield
 Hertfordshire, AL10 9BW
 Tel: 01707 315000



WHP Telecoms Ltd

Unit 1 Maple Park
 Lowfields Road, Leeds
 LS12 6HH

Tel: 0113 3023550 Fax: 0113 2878534
 e-mail: info@whptelecoms.com

Site Name & Address:

ST PANCRAS SW
 PANCRAS ROAD, KINGS CROSS
 LONDON, N1C 4BU

Title:

PROPOSED TELECOMMUNICATIONS
 STREETWORKS UPGRADE
 EQUIPMENT LAYOUT

Purpose of Issue:

APPROVAL

Drawing No:

77266 - 03

Cell No:

77266

Site No:

1542284

Issue:

B

Scale:

AS STATED

Ch'd:

DA

Date:

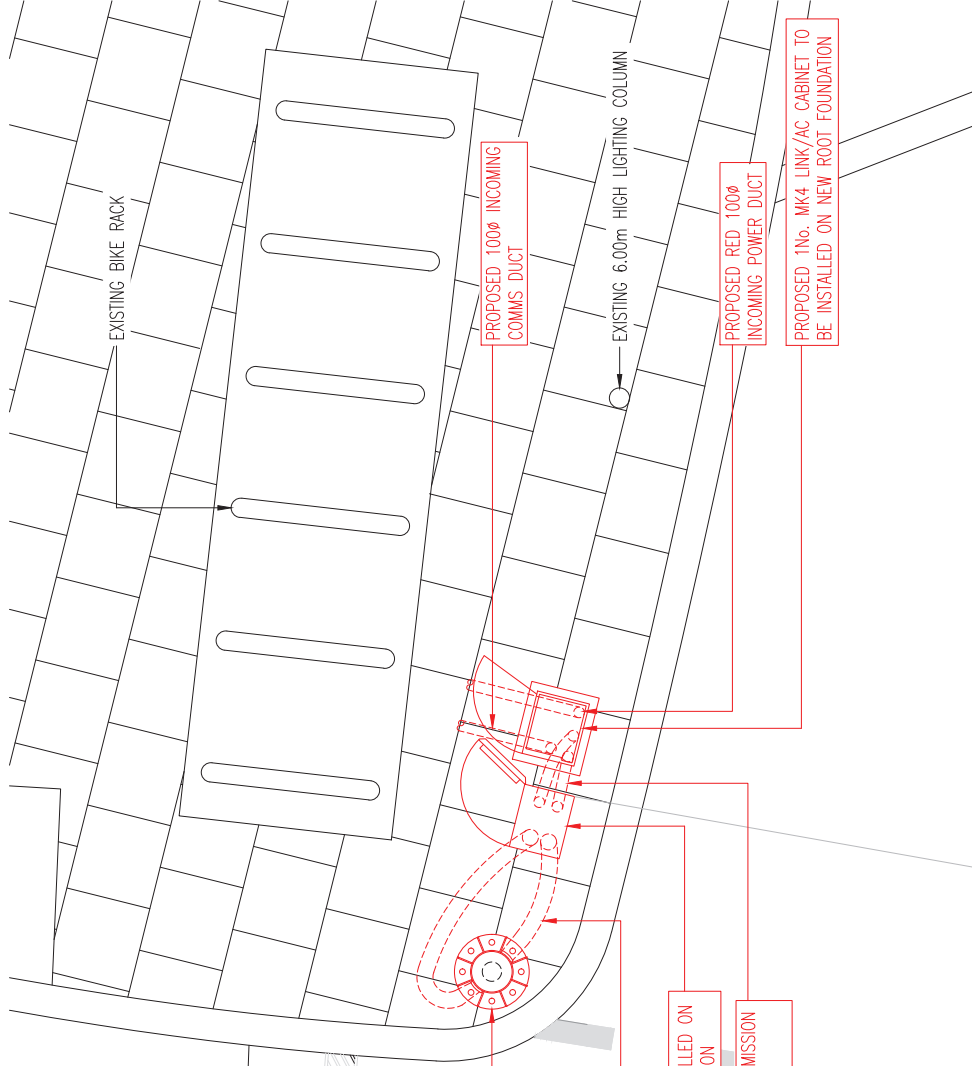
19.12.18

App:

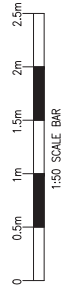
DA

Date:

19.12.18



EQUIPMENT LAYOUT



EXISTING 3.00m HIGH NO ENTRY
 SIGN TO BE REMOVED AND
 REPLACED WITH PROPOSED
 11.00m HIGH ALPHA8 MONOPOLE
 ON NEW D9-4 ROOT FOUNDATION

PROPOSED 2No. 150Ø DUCTS
 FOR 1800 & 2600

PROPOSED 1No. BTS3900A (STACKED) TO BE INSTALLED ON
 NEW 200mm HIGH PLINTH ON NEW ROOT FOUNDATION

PROPOSED 2No 100Ø DUCTS FOR POWER & TRANSMISSION
 CABLES FROM LINK/AC TO 3900A CABINET

PROPOSED 100Ø INCOMING
 COMMS DUCT

EXISTING 6.00m HIGH LIGHTING COLUMN

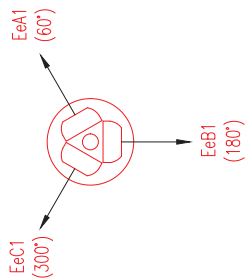
PROPOSED RED 100Ø
 INCOMING POWER DUCT

PROPOSED 1No. MK4 LINK/AC CABINET TO
 BE INSTALLED ON NEW ROOT FOUNDATION

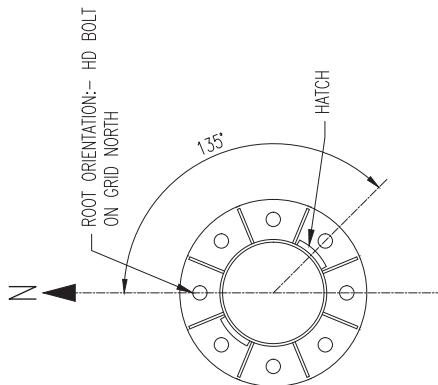


NOM/RDS DATE/REV.
 NOM. 12/10/2018

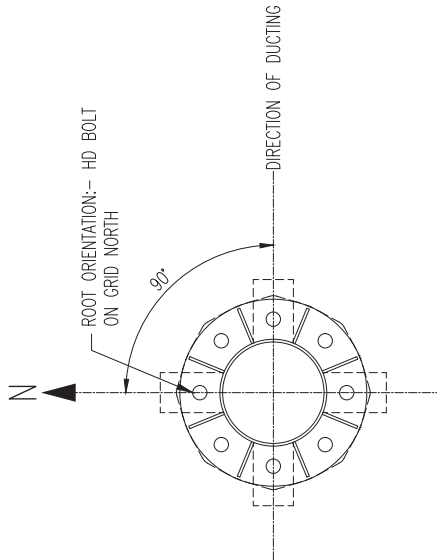
POLE TYPE	ALPHA8
ROOT TYPE	D9-4
HATCH ORIENTATION	135°



PROPOSED ANTENNA DETAILS



TOWER HATCH ORIENTATION



D9-4 ROOT DUCT ORIENTATION

B	M/W DISHES REMOVED	23.09.19	JP	PC
A1	PRELIMINARY ISSUE FOR APPROVAL	21.12.18	PK	DA
No.	Revision	Date	By	ckd



Hatfield Business Park, Hatfield
 Hertfordshire, AL10 9BW
 Tel: 01707 315000



WHP Telecoms Ltd

Unit 1 Maple Park
 Lowfields Road, Leeds
 LS12 6HH

Tel: 0113 3023500 Fax: 0113 287854
 e-mail: info@whptelecoms.com

Site Name & Address:

ST PANCRAS SW
 PANCRAS ROAD, KINGS CROSS
 LONDON, N1C 4BU

Title:

PROPOSED TELECOMMUNICATIONS
 STREETWORKS UPGRADE
 EQUIPMENT LAYOUT

Purpose of Issue:

APPROVAL

Drawing No:

77266 - 03

Cell No:

77266

Site No:

1542284

Issue: B

Scale: AS STATED	Ch'd: DA
Dwn: PK	Date: 19.12.18
App: DA	Date: 19.12.18

NOM/RDS DATE/REV.
 NOM. 12/10/2018

No.	Revision	Date	By	ckd
B	I/W DISHES REMOVED	23.09.19	JP	PC
A1	PRELIMINARY ISSUE FOR APPROVAL	21.12.18	PK	DA



Hatfield Business Park, Hatfield
 Hertfordshire, AL10 9BW
 Tel: 01707 315000



WHP Telecoms Ltd

Unit 1 Maple Park
 Lowfields Road, Leeds
 LS12 6HH

Tel: 0113 3023500 Fax: 0113 2878834
 e-mail: info@whptelecoms.com

Site Name & Address:

ST PANCRAS SW
 PANCRAS ROAD, KINGS CROSS
 LONDON, N1C 4BU

Title:
**PROPOSED TELECOMMUNICATIONS
 STREETWORKS UPGRADE
 SITE ELEVATION**

Purpose of Issue:

APPROVAL

Drawing No:

77266 - 05

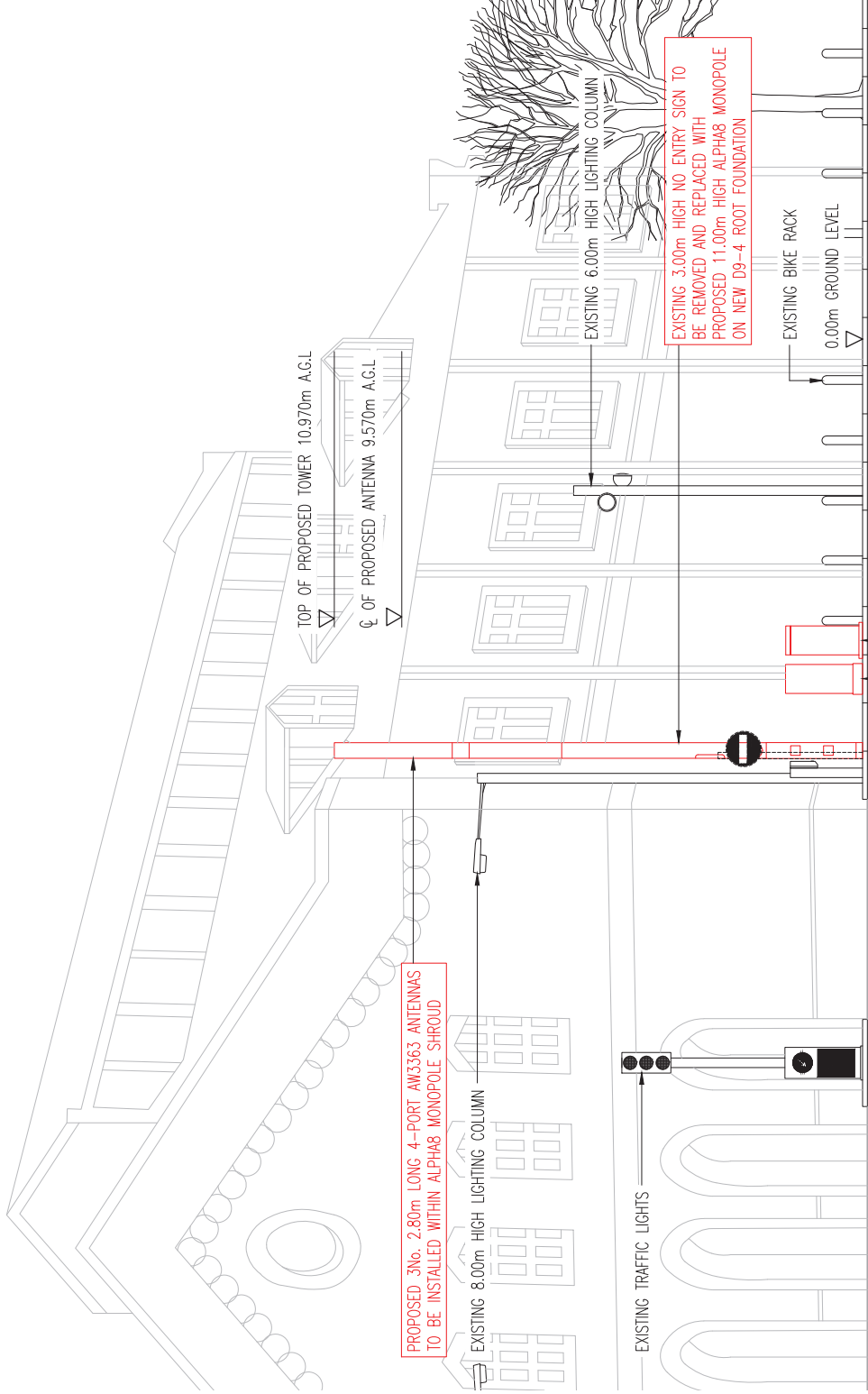
Cell No:

77266

Site No:

1542284

Issue:	Scale:	AS STATED	Ch'd:	DA	Date:	19.12.18
B						
	Dwn:	PK	Date:	19.12.18	App:	DA
			Date:	19.12.18		



SOUTH ELEVATION

