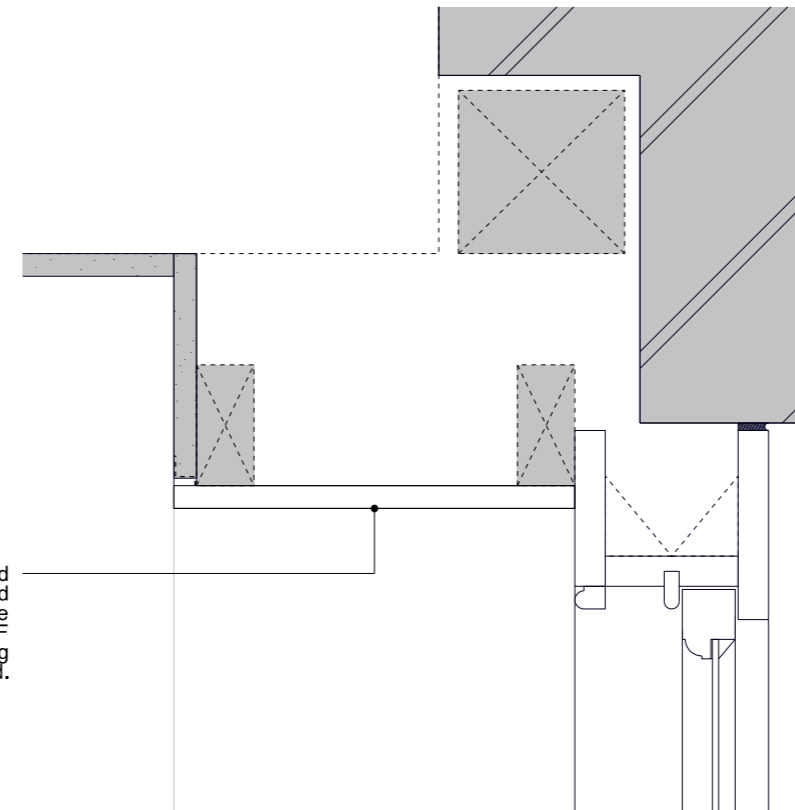
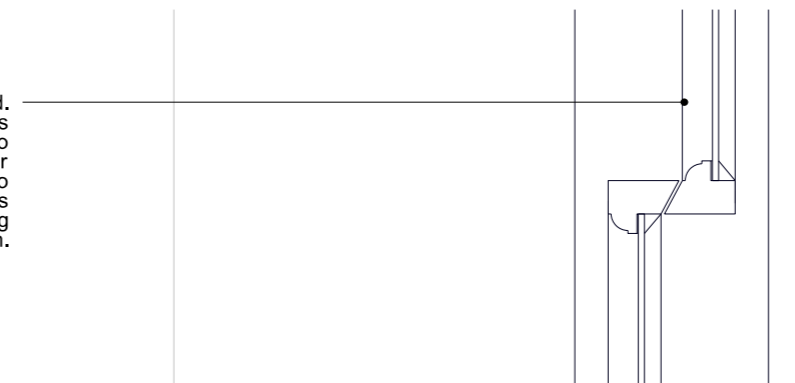


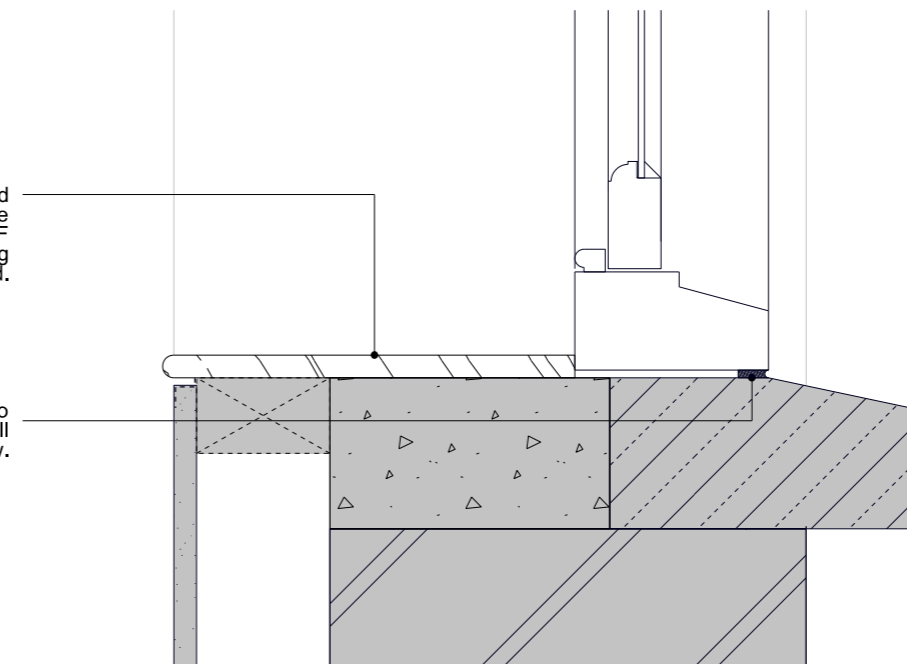
Reveal boards at window head and jambs to be replaced with painted 18mm MDF. 6mm stop bead to be installed at junction between MDF and plasterboard. Existing plasterboard to be made good.



Existing sash windows to be replaced. Single glazed sliding sashes with frames and astragals to match original profile to be installed. Refer to 125 D 145 for astragal profile. Replacement sashes to be draft proofed and to have brush seals installed. Refer to elevation for glazing pattern.



Cill board to be replaced with painted hardwood. 6mm stop bead to be installed at junction between MDF and plasterboard. Existing plasterboard to be made good.



External grade silicone sealant installed to junction between sash box and reveals/cill. Sealant colour to match window.

1. It is the contractor's responsibility to ensure that design principles, calculations, drawings and final construction must conform to the current building regulations, the CDM regulations and the relevant British or European codes of practice as appropriate.
2. The contractor must verify all site dimensions, drawings, details and specifications and report any discrepancies to the architect before proceeding with any work.
3. All specified items are to be installed in accordance with the manufacturer's recommendations.
4. The drawing is to be read in conjunction with the other relevant consultants drawings.
5. This drawing is copyright of the architect.

Drawing Status:

Information

Revision	Date

**prewett
bizley
architects**

118a London Wall, London EC2Y 5JA 020 7256 2195
 rp@prewettbizley.com www.prewettbizley.com

Project
39 Great James Street
London
WC1N 3HB

Drawing
Third floor sash window details

Scale **1:5 @ A3** Date **July 2018**

Dwg. no. **125 D 128** Revision **-**