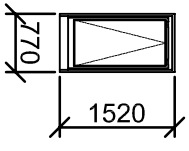
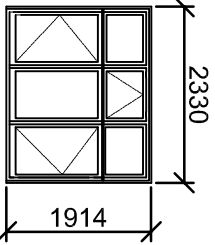
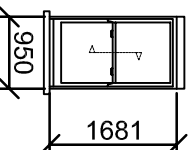
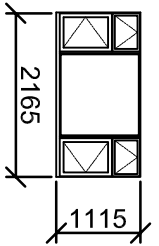
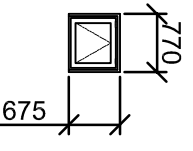
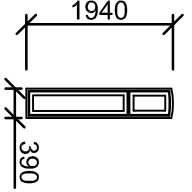
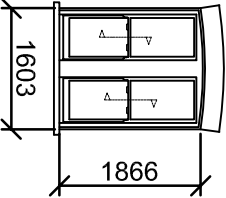
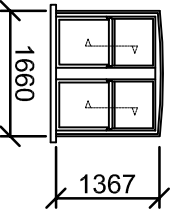
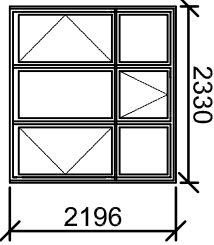
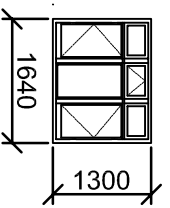
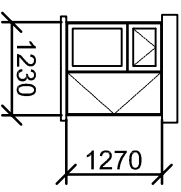
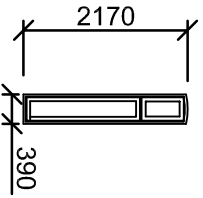
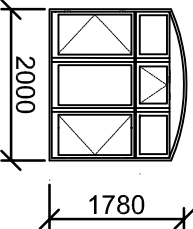
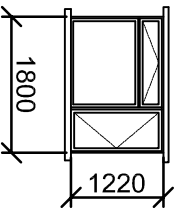
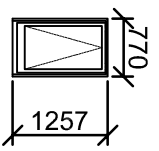
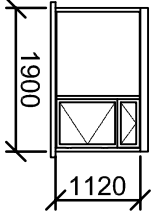
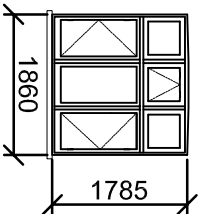
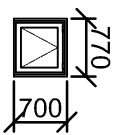
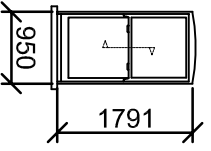
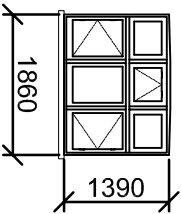
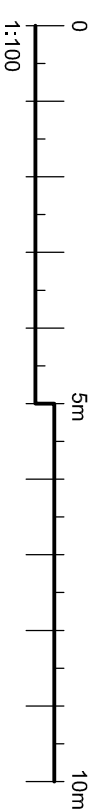
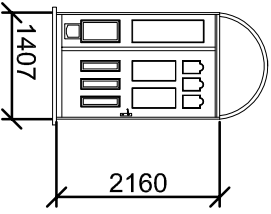
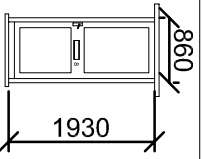
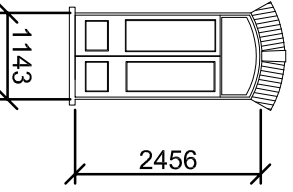
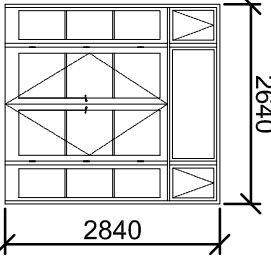


## Window Schedule

Window Code	Window	Window Code	Window	Window Code	Window	Window Code	Window
WA		WG		WM		WS	
WB		WH		WN		WT	
WC		WI		WO			
WD		WJ		WP			
WE		WK		WQ			
WF		WL		WR			



## Door Schedule

Door Code	Door	Door Code	Door
DA		DD	
DB		DC	

The contractor is responsible to ensure that no products are to be utilized that do not comply with relevant British and/or European Standards and/or Codes of Practice, CDMH Regulations, Construction Regulations, or which are known or suspected at the time of product selection to be in breach of any applicable laws, regulations, codes of practice, standards, or safety or health requirements in accordance with good building practices.

The contractor is responsible for checking dimensions, tolerances, levels and references. The contractor is responsible for ensuring that the drawings are in accordance with the drawings on site or shop drawings.

Where an item is covered by drawings in different scales, the larger scale drawing is to be worked to.

Do not scale drawings. Figured dimensions to be worked to in all cases.

This drawing and the copyrights and patents therein are the property of Bally Garner LLP and may not be used or reproduced without consent or attribution.

# A3

**CLIENT:**  
London Borough of Camden  
ADDRESS:  
8 Fawley Road,  
London, NW6 7SH

**PROJECT:**  
Camden Better Homes  
Retitling  
Existing Window and Door  
Schedule  
PURPOSE OF ISSUE:  
Planning

SCALE  
1:100  
JOB NO.  
30916

DATE  
02/08/2019  
DRAWING NO.  
P004  
REVISION

  
**BALLY  
GARNER**  
146-148 ELTHAM HILL  
LONDON, SE9 5DY  
t. 020 8294 1000  
f. 020 8294 1320  
e. general@ballygarner.co.uk