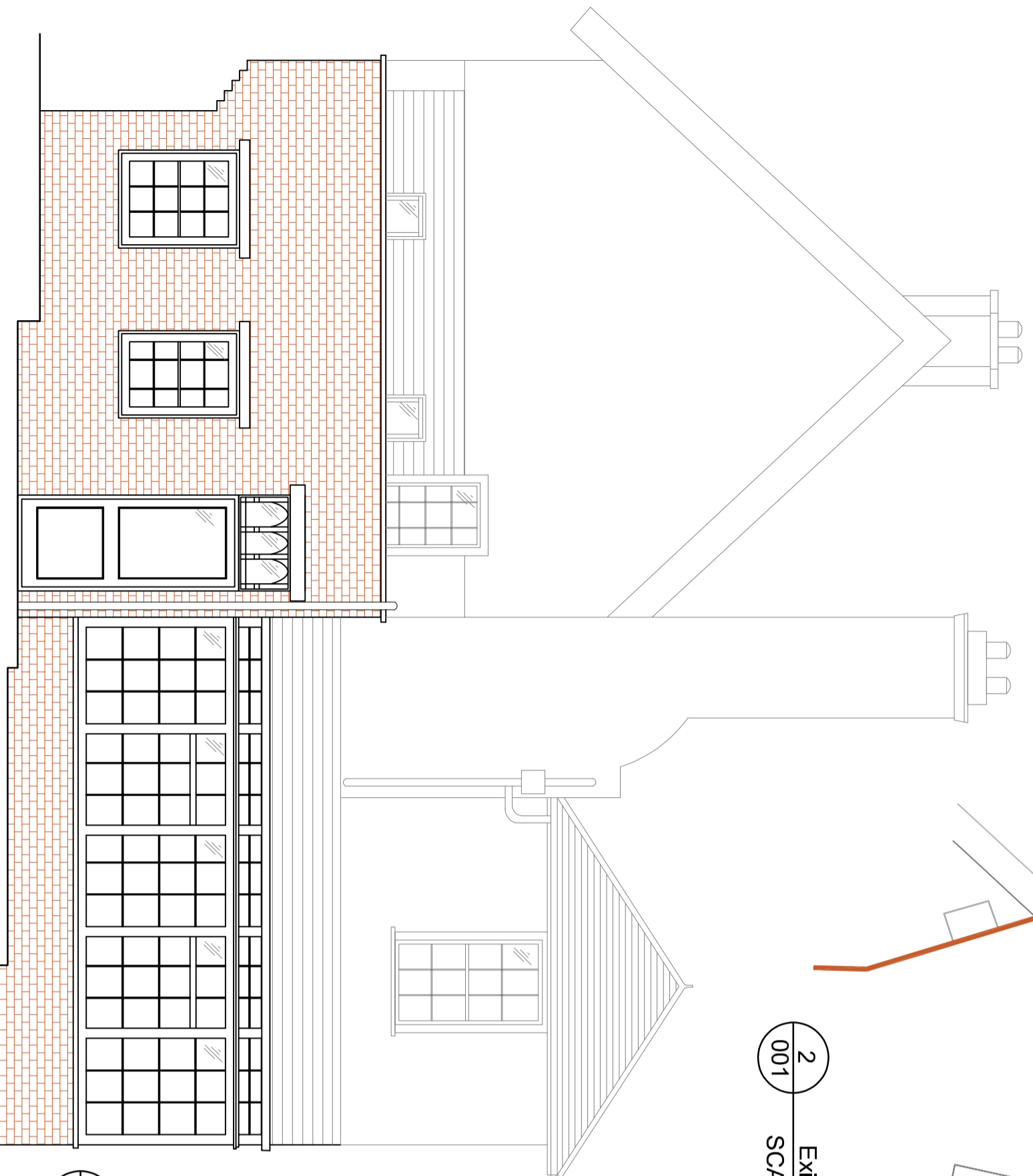


1
001 Location Plan
SCALE 1:1250 @ A2



2
001 Existing Site Plan
SCALE 1:500 @ A2



3
001 Existing Side Elevation
SCALE 1:50 @ A2



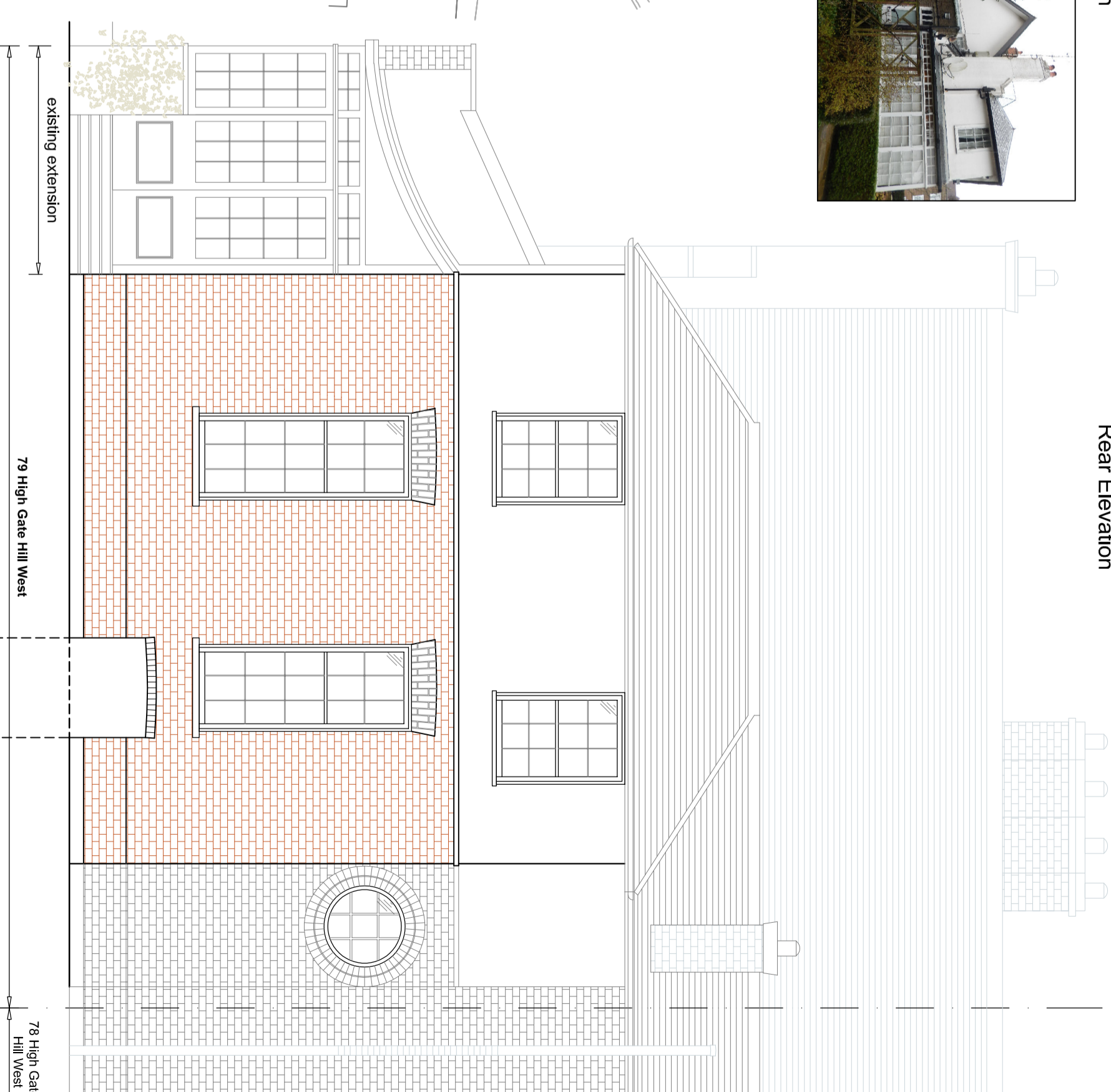
Front Elevation



Rear Elevation



Side Elevation



4
001 Existing Rear Elevation
SCALE 1:50 @ A2

Project
79 Highgate West Hill
London, N6 6LU

Client
Mr Zeljko Popovic

ST S Structural
Engineering Ltd

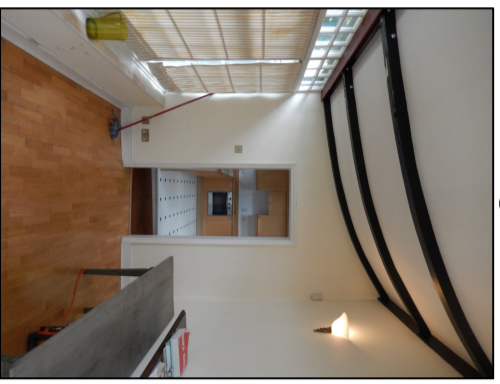
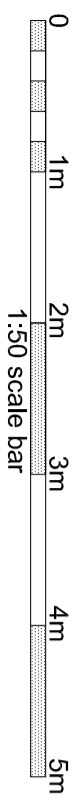
58 Crossway, Westwyn Garden City, Hertfordshire, AL8 7EB
Tel: 01707 695466 Fax: 01707 692006
Web: www.sts-sec.co.uk Email: site@sts-sec.co.uk

Title
Existing Location and Site Plan,
Existing Elevations
and Photographs

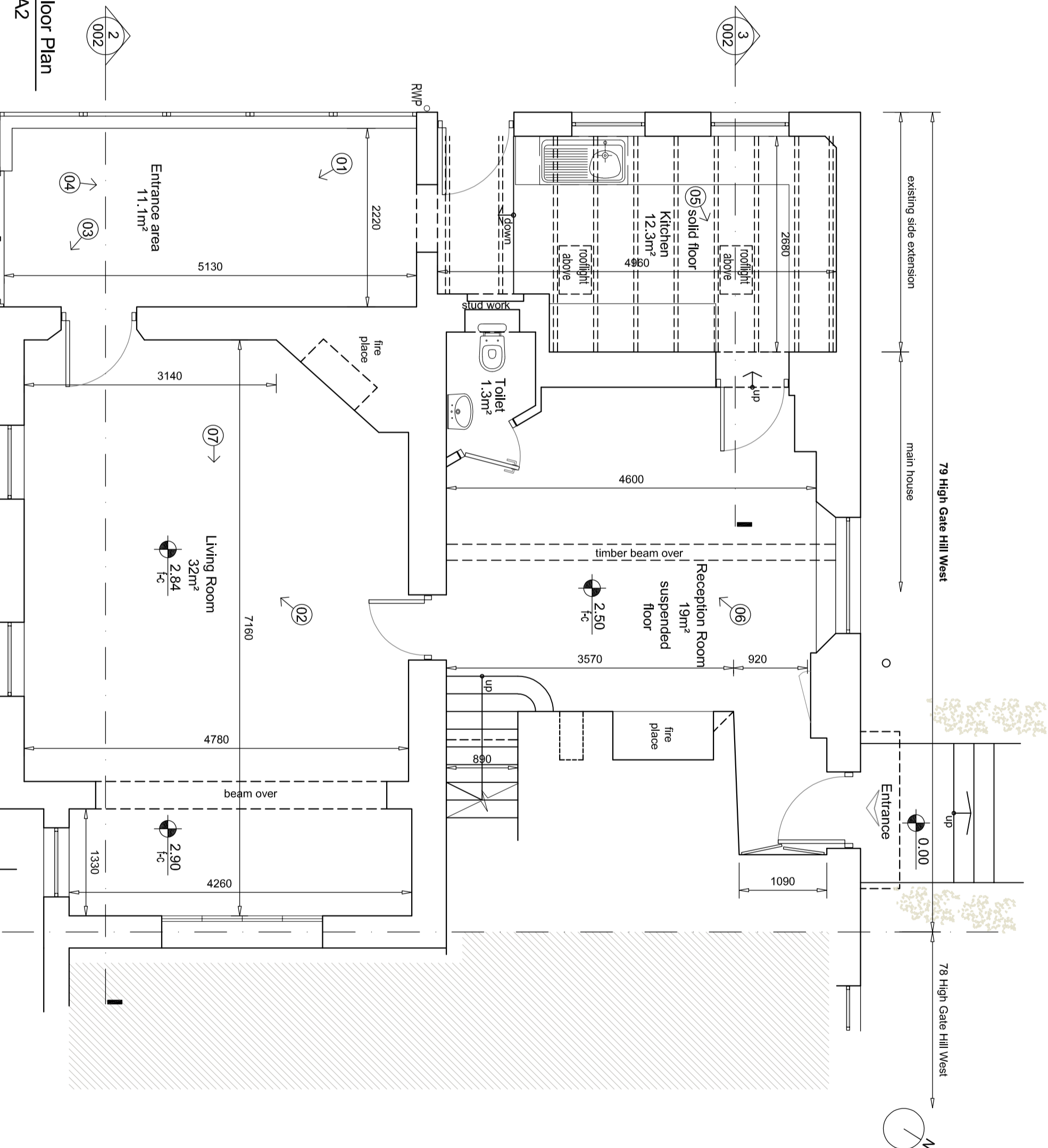
Drawn	NK	Date	Apr'18	Scale
Checked	SS	Date	Apr'18	as shown
Approved	SS	Date	Apr'18	Size A2

Drawing No.
1803-1115-001

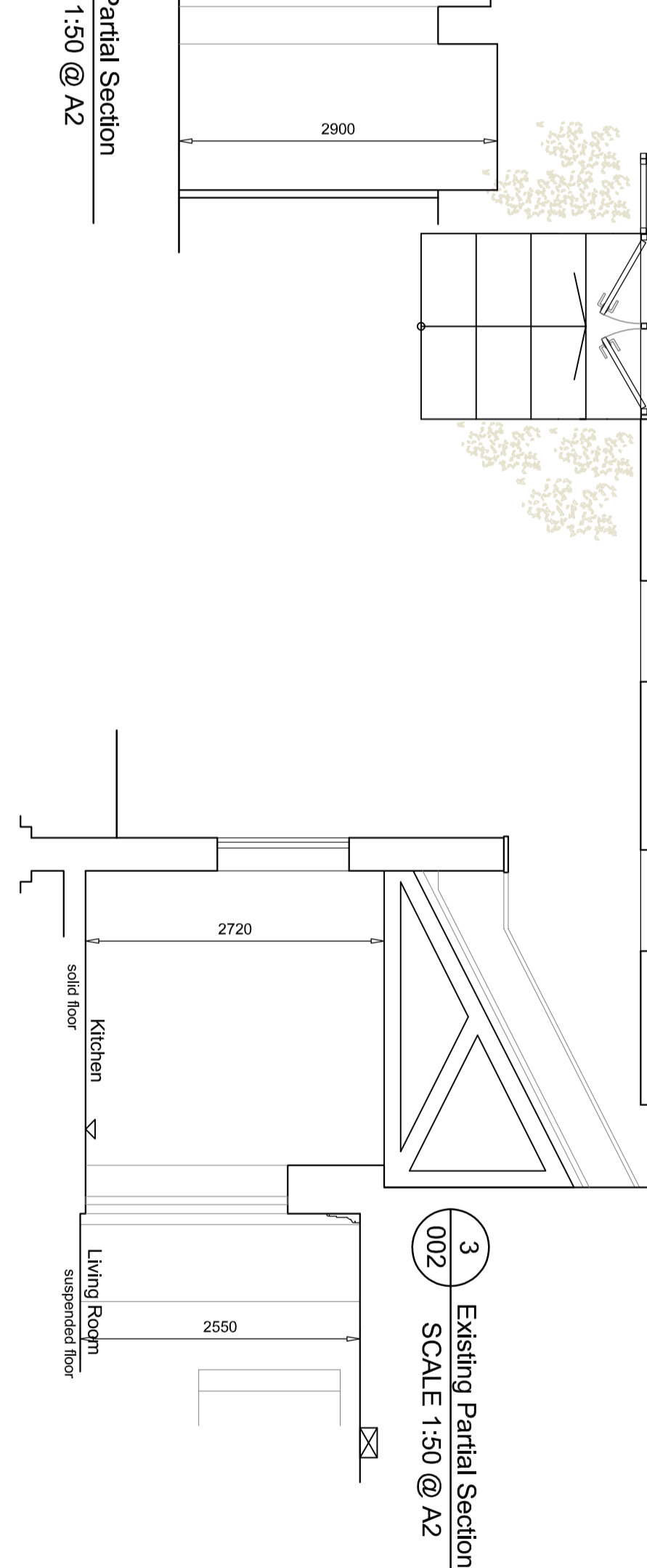
Rev.



1 Existing Ground Floor Plan
SCALE 1:50 @ A2



3 Existing Partial Section
SCALE 1:50 @ A2



2 Existing Partial Section
SCALE 1:50 @ A2

NOTES

Rev.	Amendments	Date	Chkd.

Client
Mr Zeljko Popovic

STS Structural Engineering Ltd
 58 Crossway, Welwyn Garden City, Hertfordshire, AL8 7TE
 Tel: 01707 695466 Fax: 01707 692006
 Web: www.sts-se.co.uk Email: sta@sts-se.co.uk

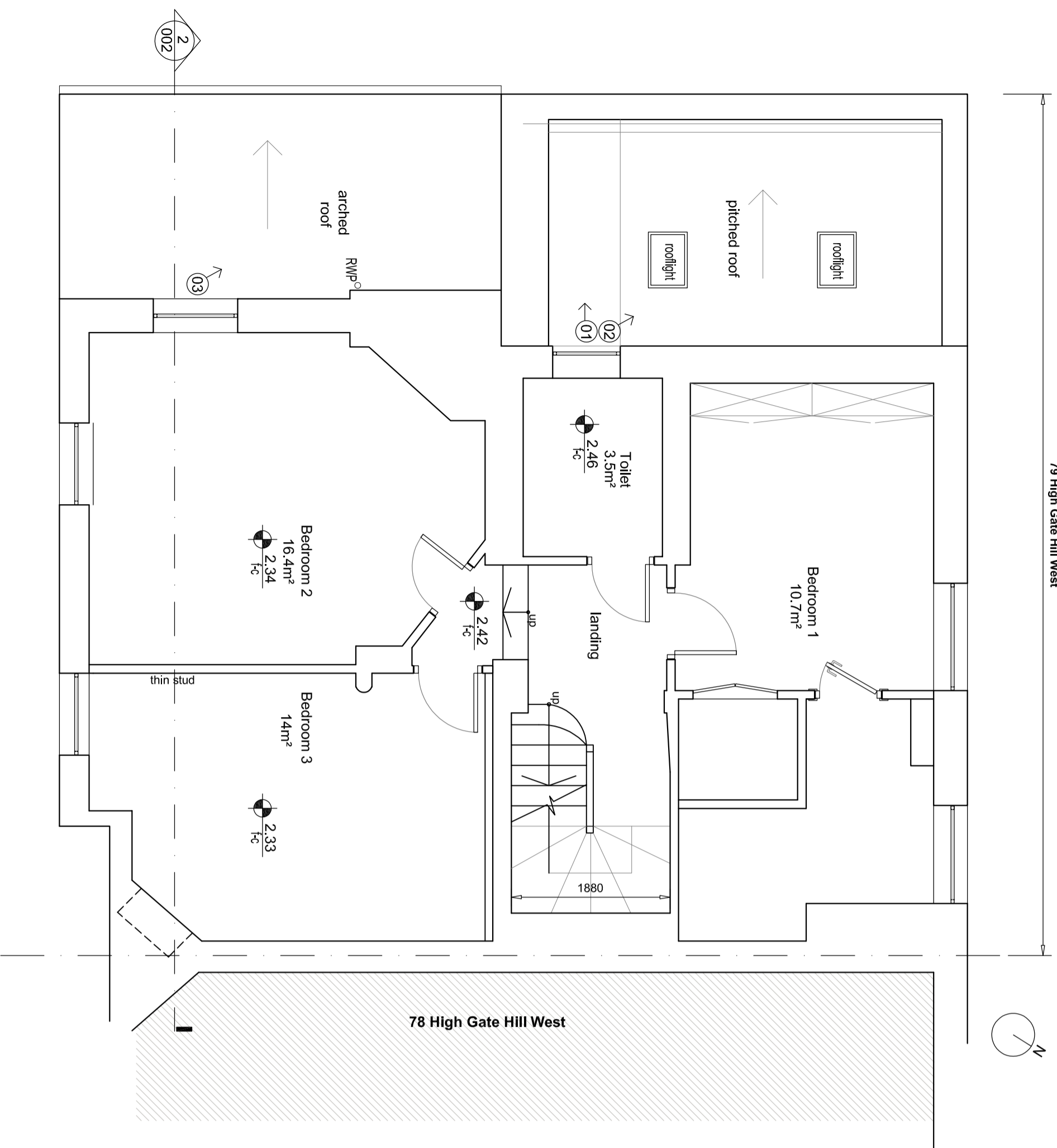
Project
79 Highgate West Hill
London, N6 6LU

Title
Existing Ground Floor Plan,
Photographs
and Existing Partial Sections

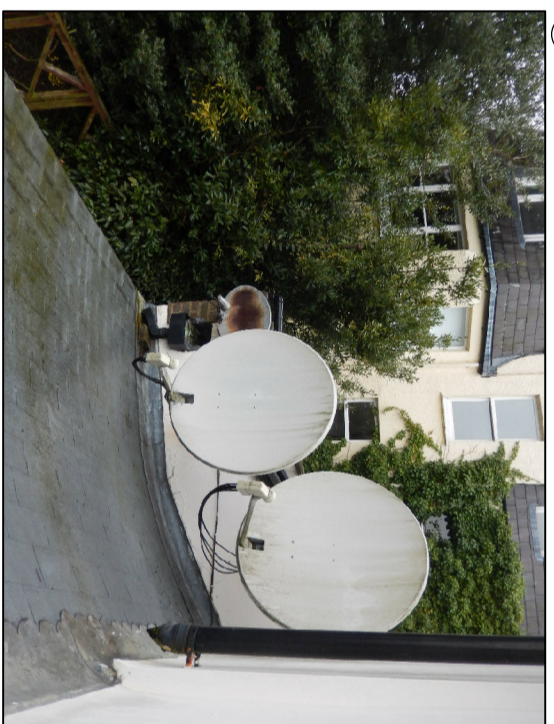
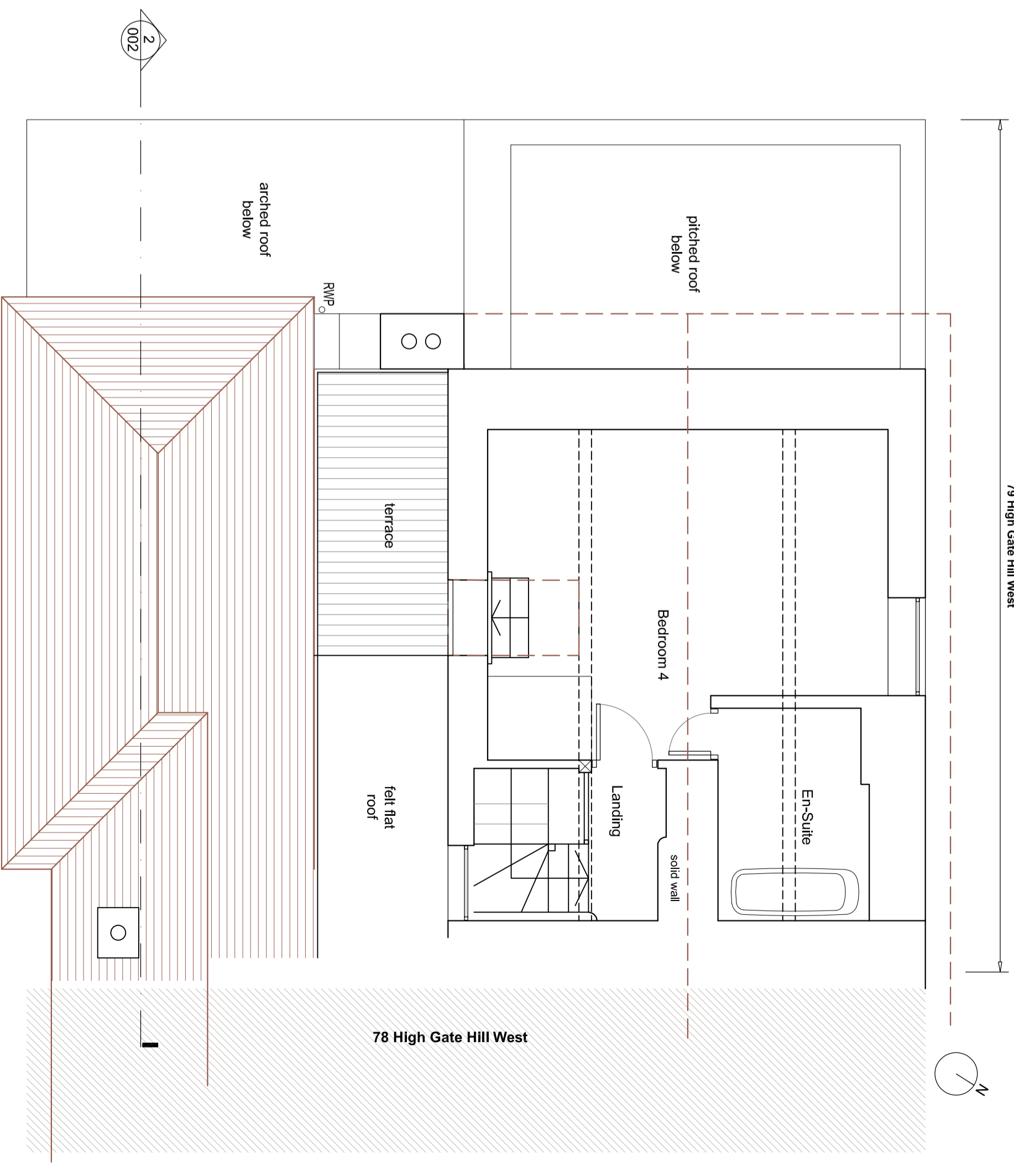
Drawn	NK	Date	Apr'18	Scale
Checked	SS	Date	Apr'18	1:50
Approved	SS	Date	Apr'18	Size A2

Drawing No. **1803-1115-002** Rev.

79 High Gate Hill West



79 High Gate Hill West



Existing side extension roof



Project
79 Highgate West Hill
London, N6 6LU

Client
Mr Zeljko Popovic

ST S Structural
Engineering Ltd

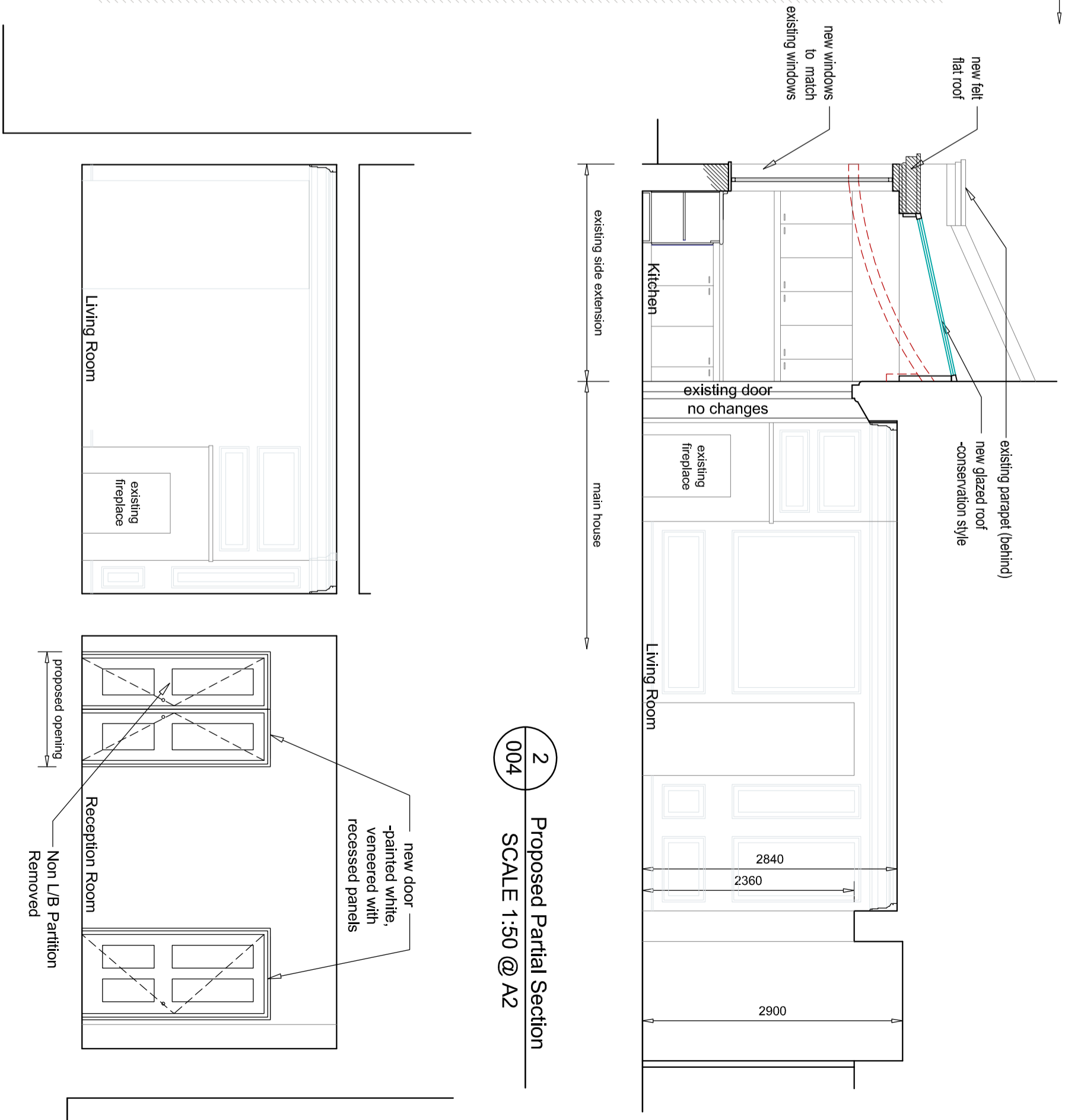
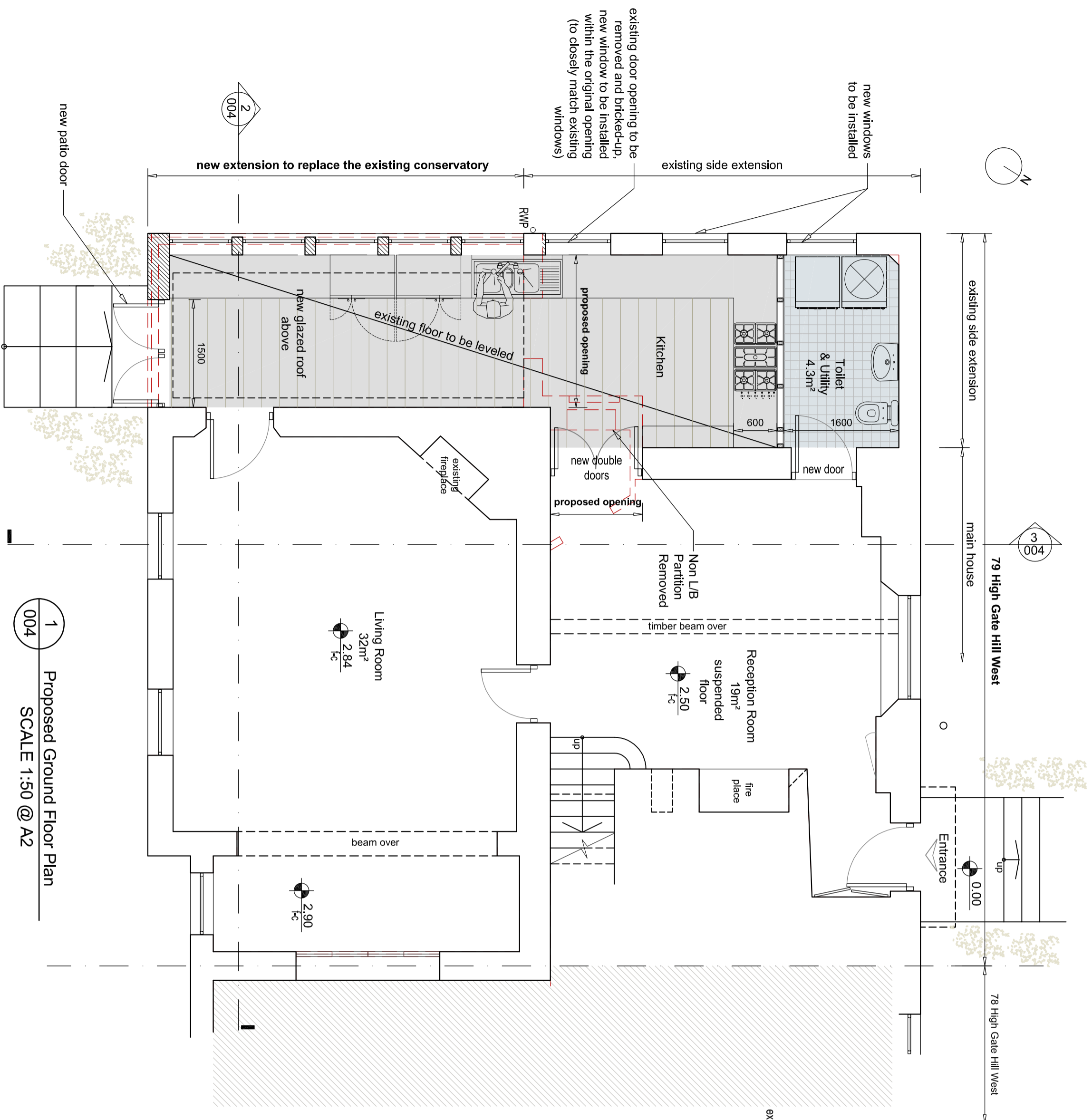
58 Crossway, Westwyn Garden City, Hertfordshire, AL8 7EB
Tel: 01707 695466 Fax: 01707 692006
Web: www.sts-sec.co.uk Email: sts@sts-sec.co.uk

Title
Existing Plans
and Photographs

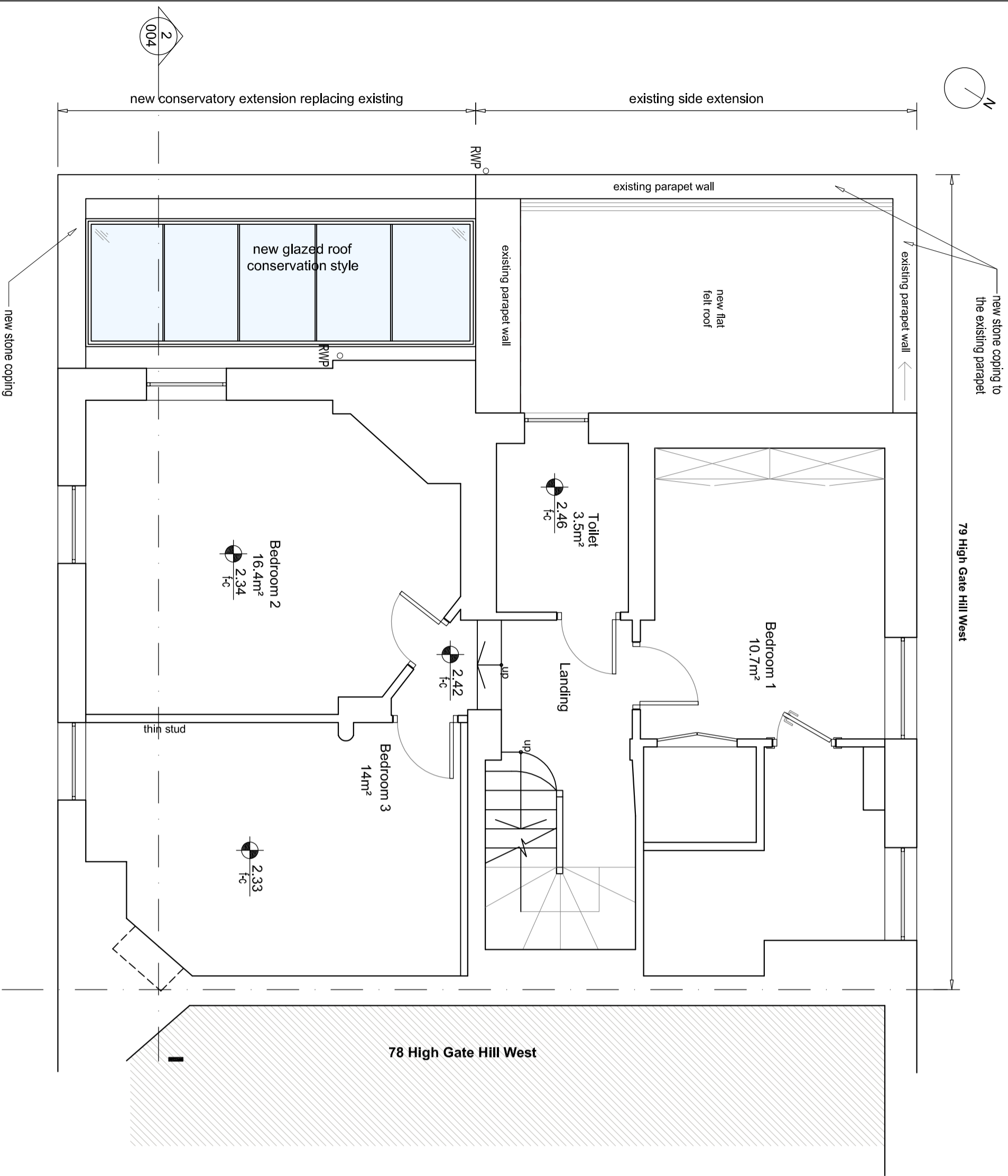
Drawn	NK	Date	Apr'18	Scale
Checked	SS	Date	Apr'18	1:50
Approved	SS	Date	Apr'18	Size
				A2

Drawing No.
1803-1115-003

Rev.



Project 79 Highgate West Hill London, N6 6LU		Client Mr Zeljko Popovic	
Title Proposed Ground Floor Plan and Proposed Partial Sections		ST S Structural Engineering Ltd 58 Crossway, Westwyn Garden City, Hertfordshire, AL8 7TE Tel: 01707 695466 Fax: 01707 692006 Web: www.sts-sec.co.uk Email: sid@sts-sec.co.uk	
Drawn NK Date Apr'18	Scale 1:50	Checked SS Date Apr'18	Size A2
Approved SS Date Apr'18	Rev. C	Drawing No. 1803-1115-004	



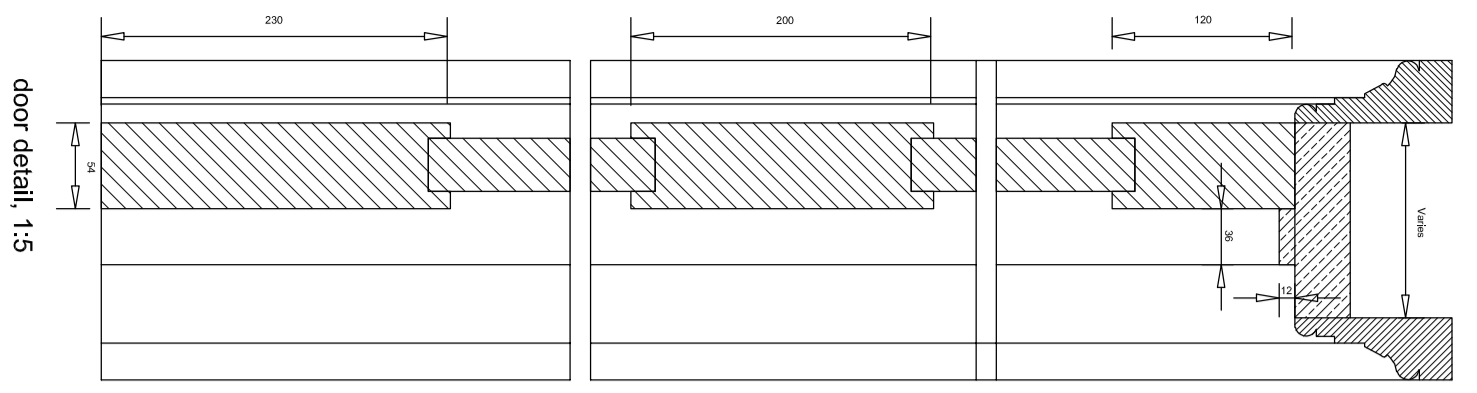
1
005
Proposed First Floor Plan
showing new roof
SCALE 1:50 @ A2



2
005
Proposed Site Plan
SCALE 1:500 @ A2

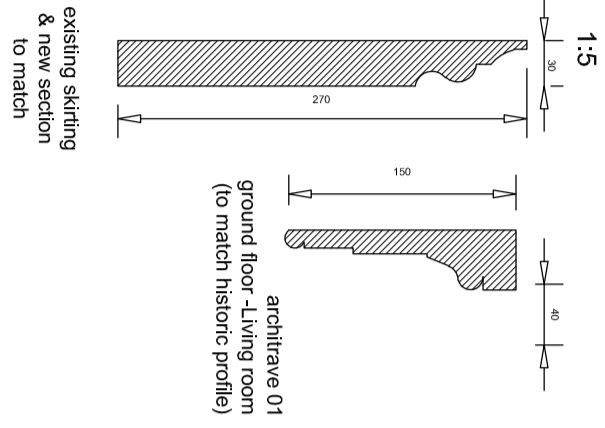


<p>Project 79 Highgate West Hill London, N6 6LU</p>		<p>Client Mr Zeljko Popovic</p>	
<p>Title Proposed First Floor Plan showing new side roof and Proposed Site Plan</p>		<p>Drawn NK Date Apr'18 Scale as shown</p> <p>Checked SS Date Apr'18</p> <p>Approved SS Date Apr'18 Size A2</p>	
<p>ST S Structural Engineering Ltd 58 Crossway, Westwyn Garden City, Hertfordshire, AL8 7EE Tel: 01707 695466 Fax: 01707 692006 Web: www.sts-sec.co.uk Email: site@sts-sec.co.uk</p>		<p>Drawing No. 1803-1115-005</p> <p>Rev. B</p>	

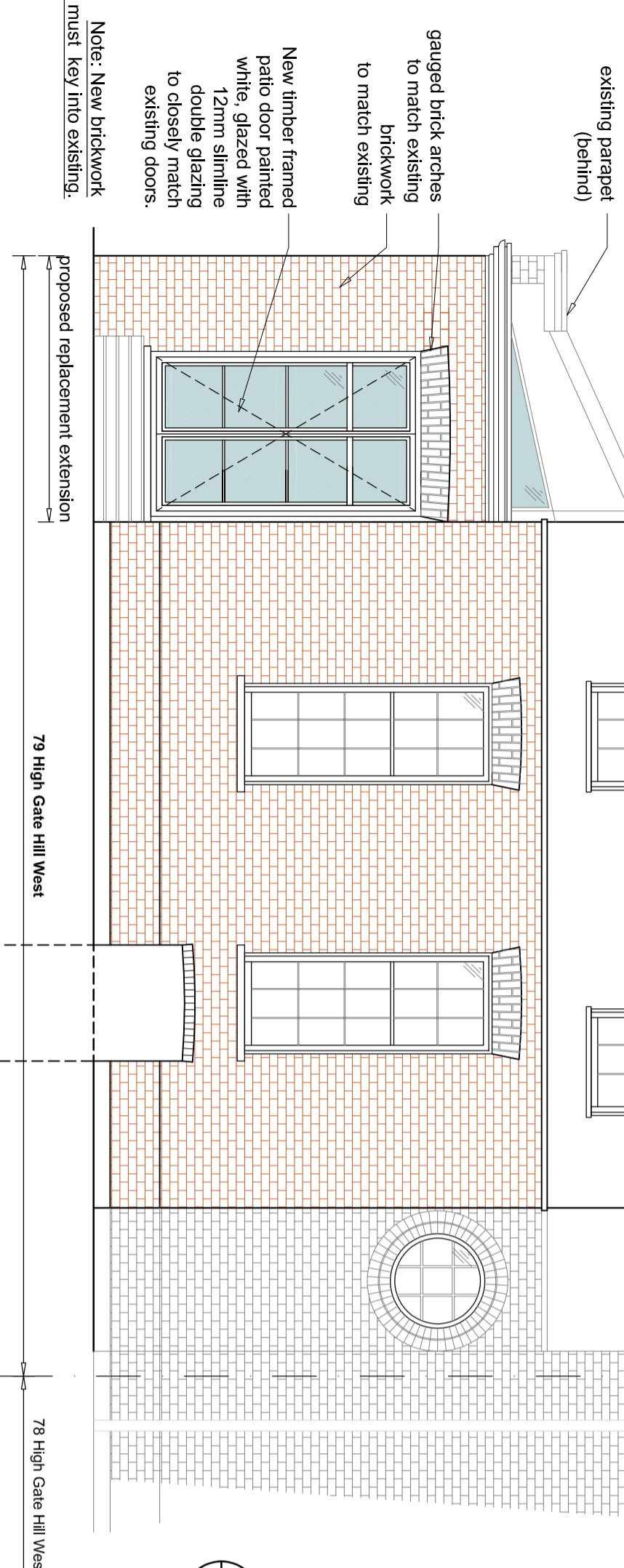
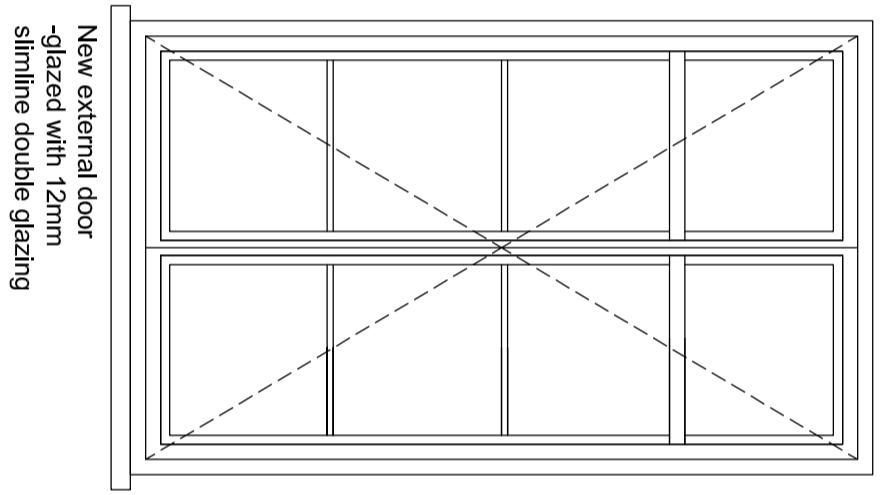
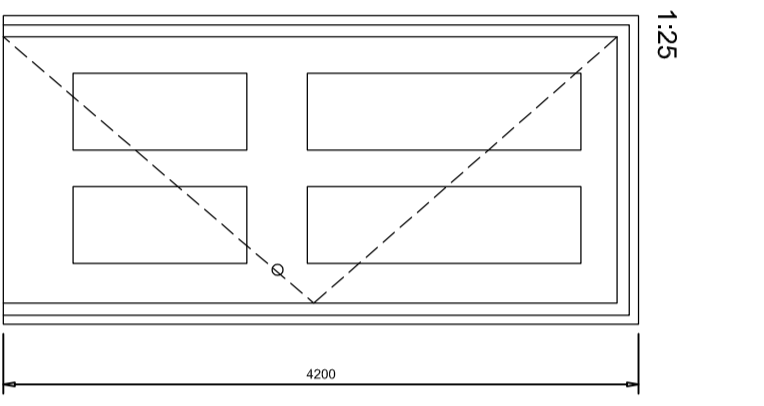


Standard Door stop
12mm deep. Increases
to 25mm deep where
concealed overhead
door closer used

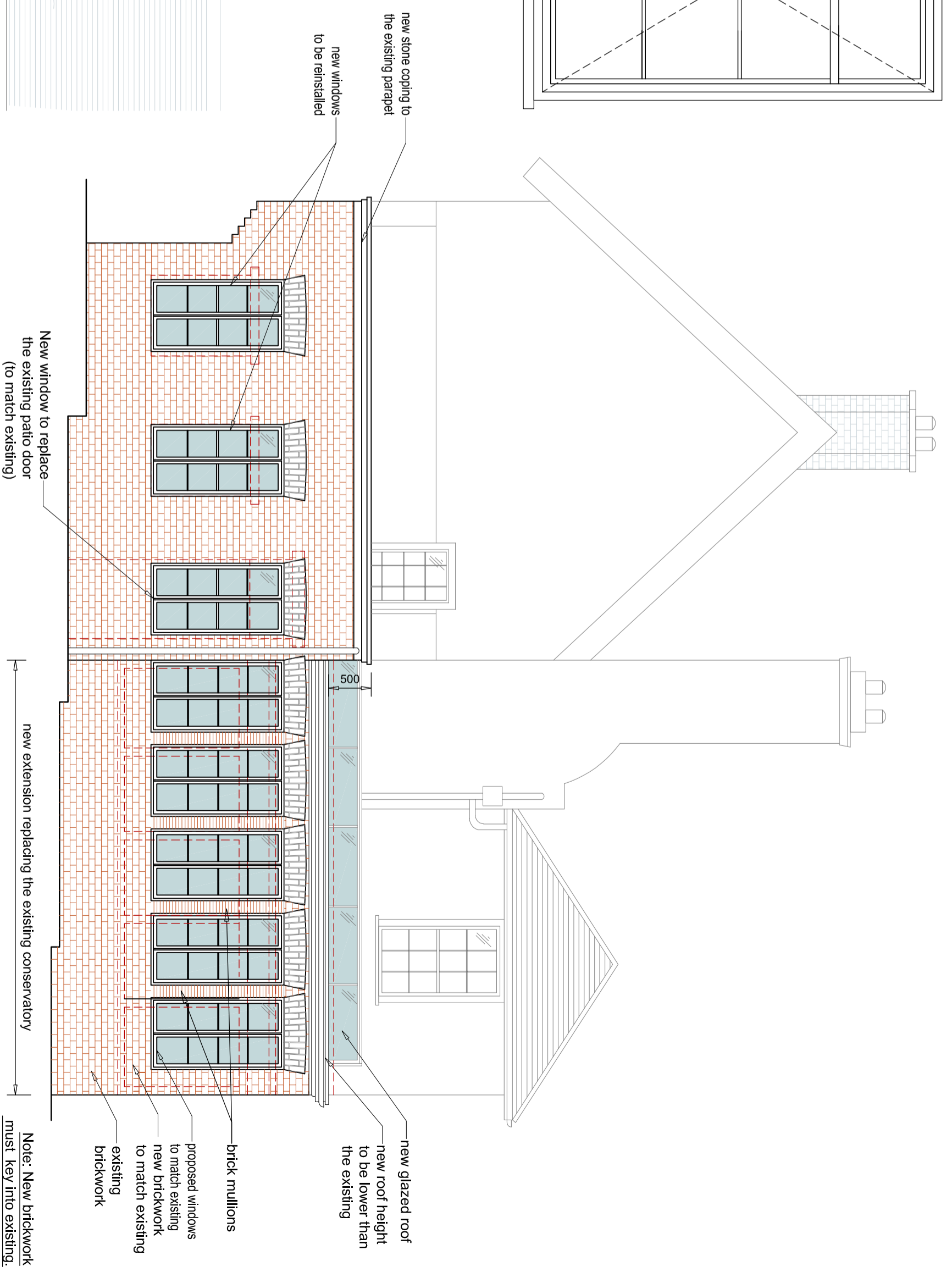
Intumescent strips
& smoke seals to
be provided for fire-
rated doors as necessary
NB. all fire doors to be
certified.



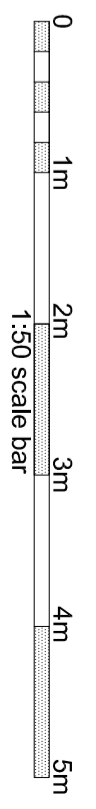
3
006
Proposed Details
SCALE 1:5 @ A2



2
006
Proposed Rear Elevation
SCALE 1:50 @ A2



1
006
Proposed Side Elevation
SCALE 1:50 @ A2



Project
79 Highgate West Hill
London, N6 6LU

Client
Mr Zeljko Popovic

ST S Structural
Engineering Ltd

58 Crossway, Westwyn Garden City, Hertfordshire, AL8 7EE
Tel: 01707 695466 Fax: 01707 692006
Web: www.sts-sec.co.uk Email: site@sts-sec.co.uk

Title
Proposed Elevations
and Proposed Door Detail

Drawn	NK	Date	Apr'18	Scale
Checked	SS	Date	Apr'18	as shown
Approved	SS	Date	Apr'18	Size A2

Drawing No.
1803-1115-006

Rev.
B

Note: New brickwork
must key into existing.