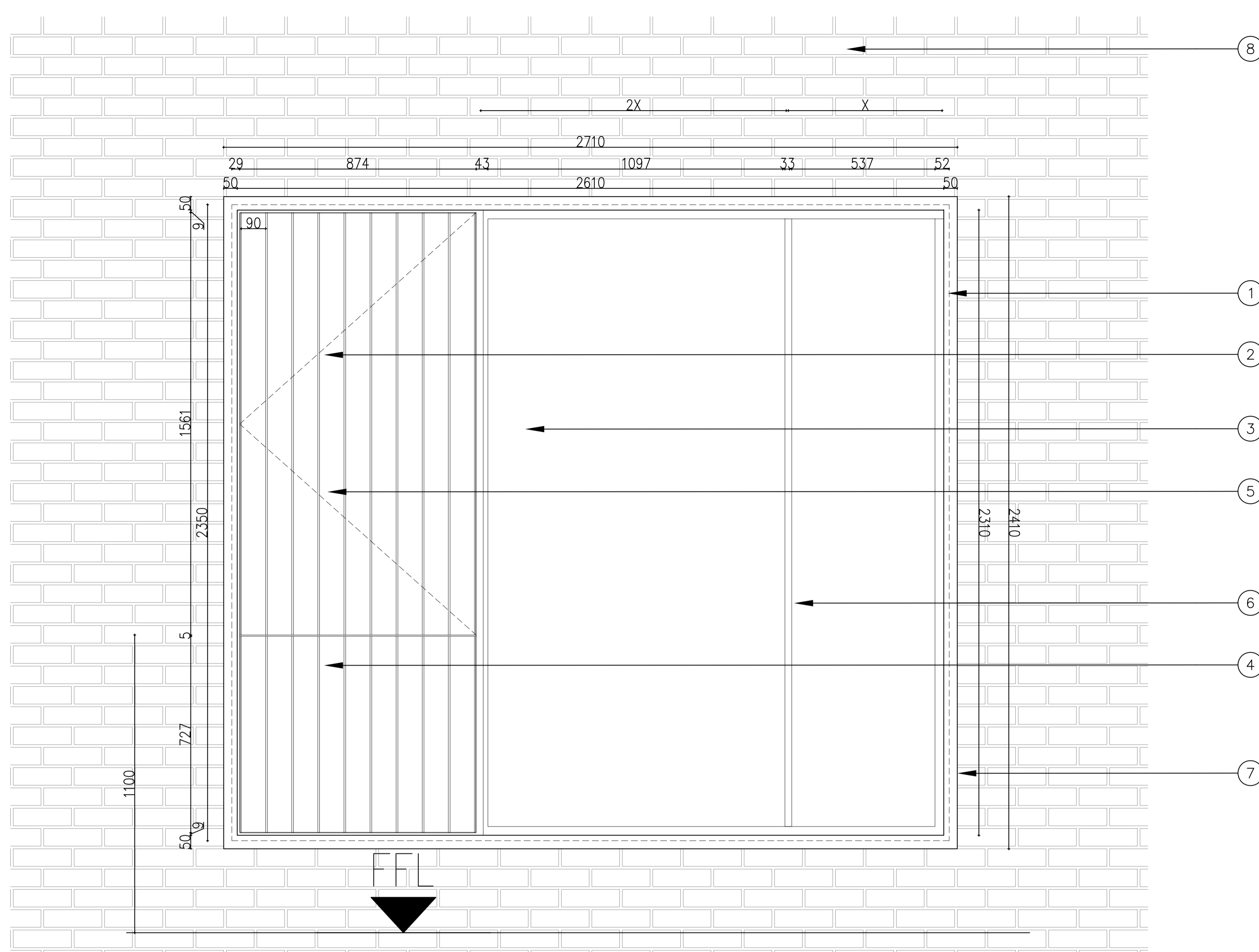
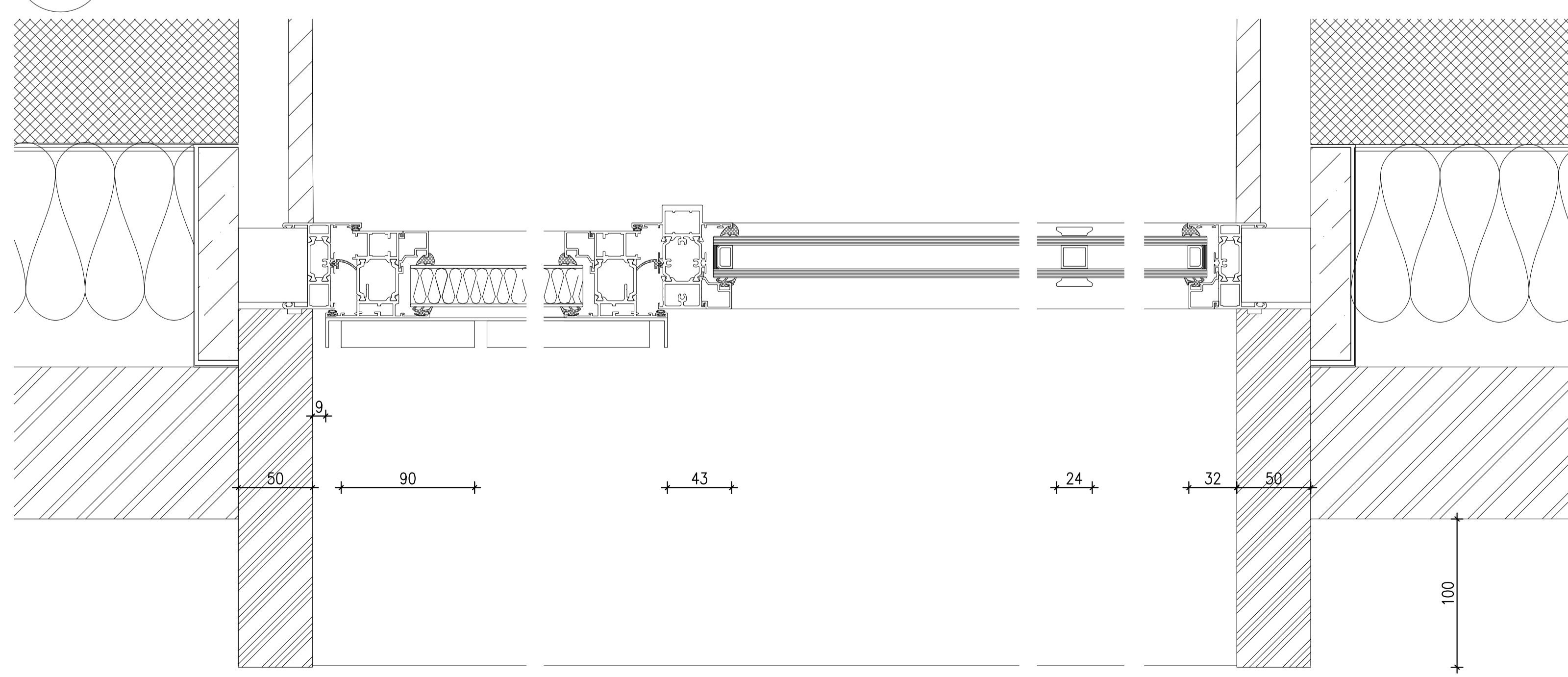


- Section
- Scale 1:2.5 @ A1 / 1:5 @ A3



- Elevation
- Scale 1:10 @ A1 / 1:20 @ A3



- Plan
- Scale 1:2.5 @ A1 / 1:5 @ A3

Notes:

1. BW58 window profile by ALUK with bronze finish. PPC Anodic Bronze, Y2214F, D2525 by Interpon
2. Cedar Cladding with clear matt sealant
3. Double glazing
4. Fixed timber clad insulated casement panel to form balustrade to 1100mm from FFL
5. Outward opening timber clad insulated casement panel with PPC framework
6. Minimal faux mullion to glazing
7. "Cookie Cutter" reveals to windows. Reconstituted Ivory Limestone by Haddonstone
8. Multibrick 634 by Hurstwood with Y102 mortar by Tarmac
9. Reconstituted sill. Ivory Limestone by Haddonstone
10. Reconstituted Faux Lintel. Ivory Limestone by Haddonstone
11. "Goal Post" reveals to Entrance Doors. Reconstituted Ivory Limestone by Haddonstone
12. BW58 Entrance Door by ALUK with timber cladding and bronze finish. PPC Anodic Bronze, Y2214F, D2525 by Interpon and fixed sidelight panel and framework to match
13. Fixed timber clad insulated panel to party wall junction with PPC aluminium framework. PPC Anodic Bronze, Y2214F, D2525 by Interpon
14. 450mm x 30mm Patinated Brass Door Handle.

0 200 500 1000mm
1:10

For Planning Discharge

Rev.	Description.	By	Date
P-	For Planning Discharge	CB	30.09.19

Client

Cogress

Project

24-26 Redington Gardens

Title

Window with openable timber clad sash - Typical Elevation

Drawing No.	Rev.
P-5451	P-

Project No.	Scale	1:10 @ A1	1:20 @ A3
020	Drawn	Checked	Date
	CB	CB	17.09.2019

Do not scale from this drawing. All dimensions should be checked and confirmed on site before the commencement of work. All discrepancies must be reported. Subcontractors must verify all dimensions on site before making a shop drawing or commencing manufacturing. This drawing is subject to copyright. ©

MY construction
Unit 5, Sayer House
Horseshoe Close, London, NW2 7JN
T +44 (0)20 8450 5747
E info@myconstruction.co.uk