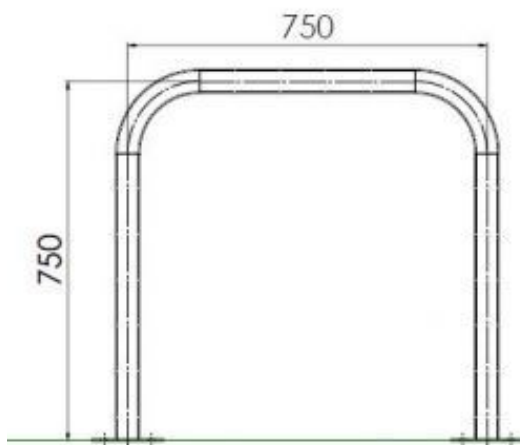


Overground Fix



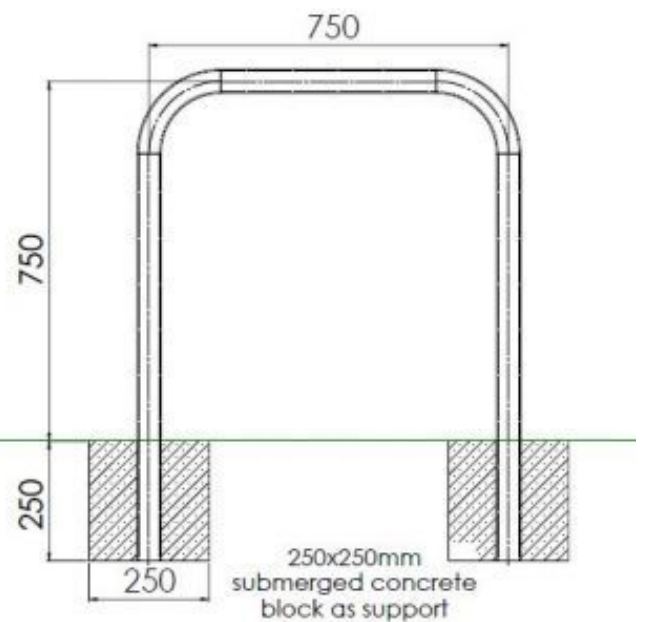
Requires 8xM10
RAWL Expanding
Security Bolts per Bike
Stand (Available in
options)

Overground fixing is ideal for very hard surfaces e.g. concrete.

Far easier and quicker to install.

we recommend using expanding M10 RAWL bolts (available).

Underground Fix



Underground fixing is ideal for soft surfaces e.g. tarmac, block paving, paving slabs.

Dig a hole 250x250mm and fill with the bike stand. Then add concrete.