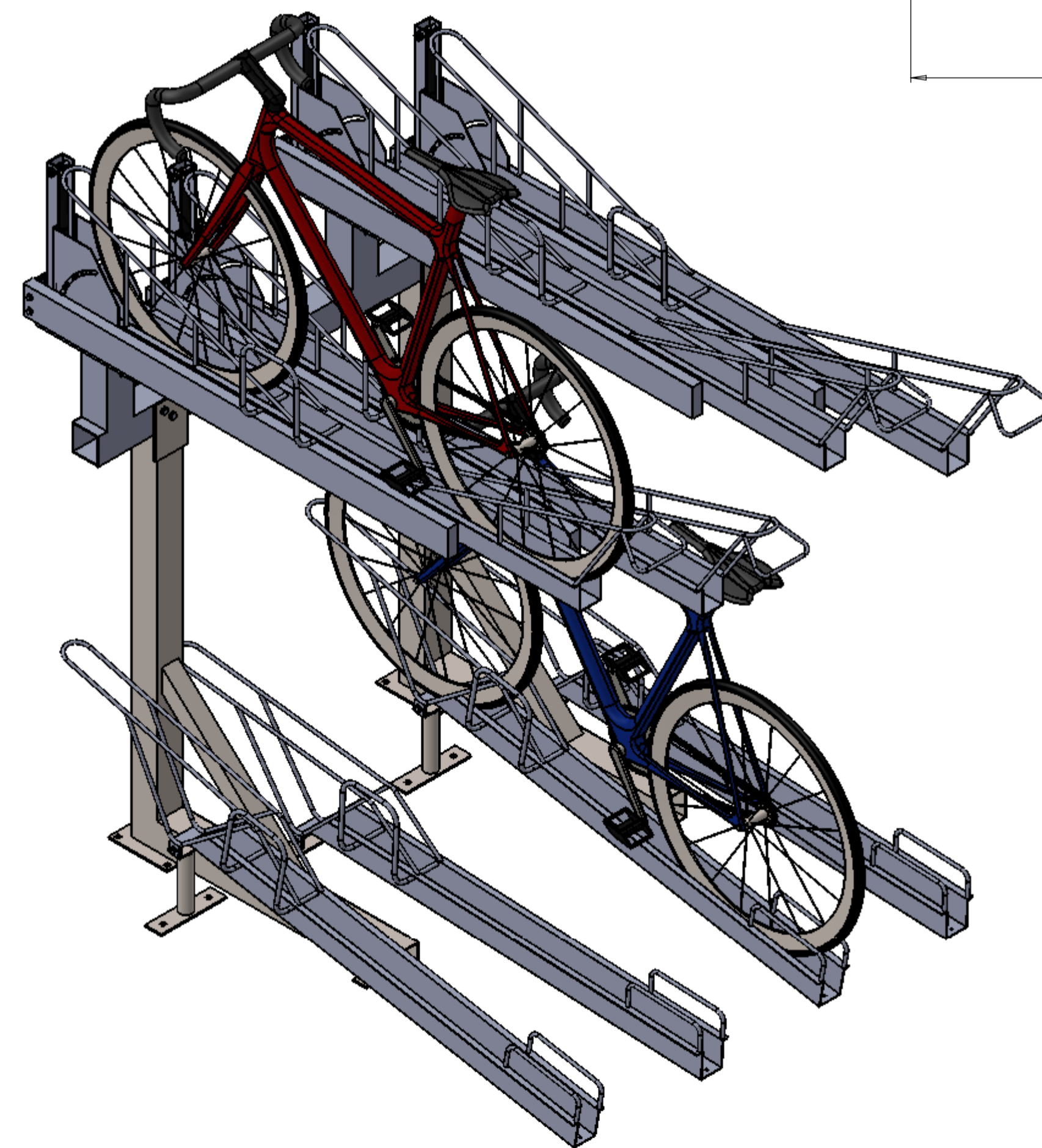
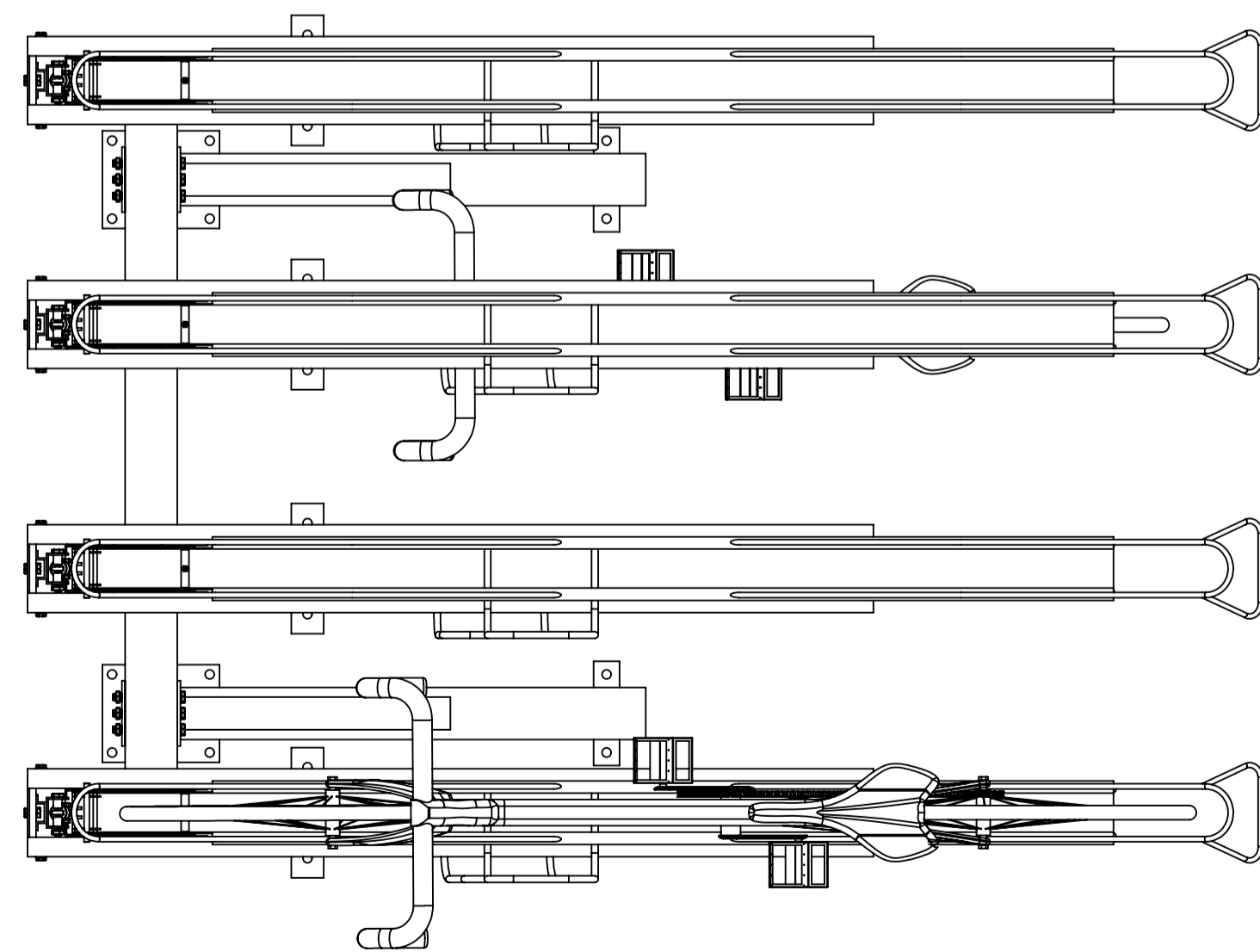
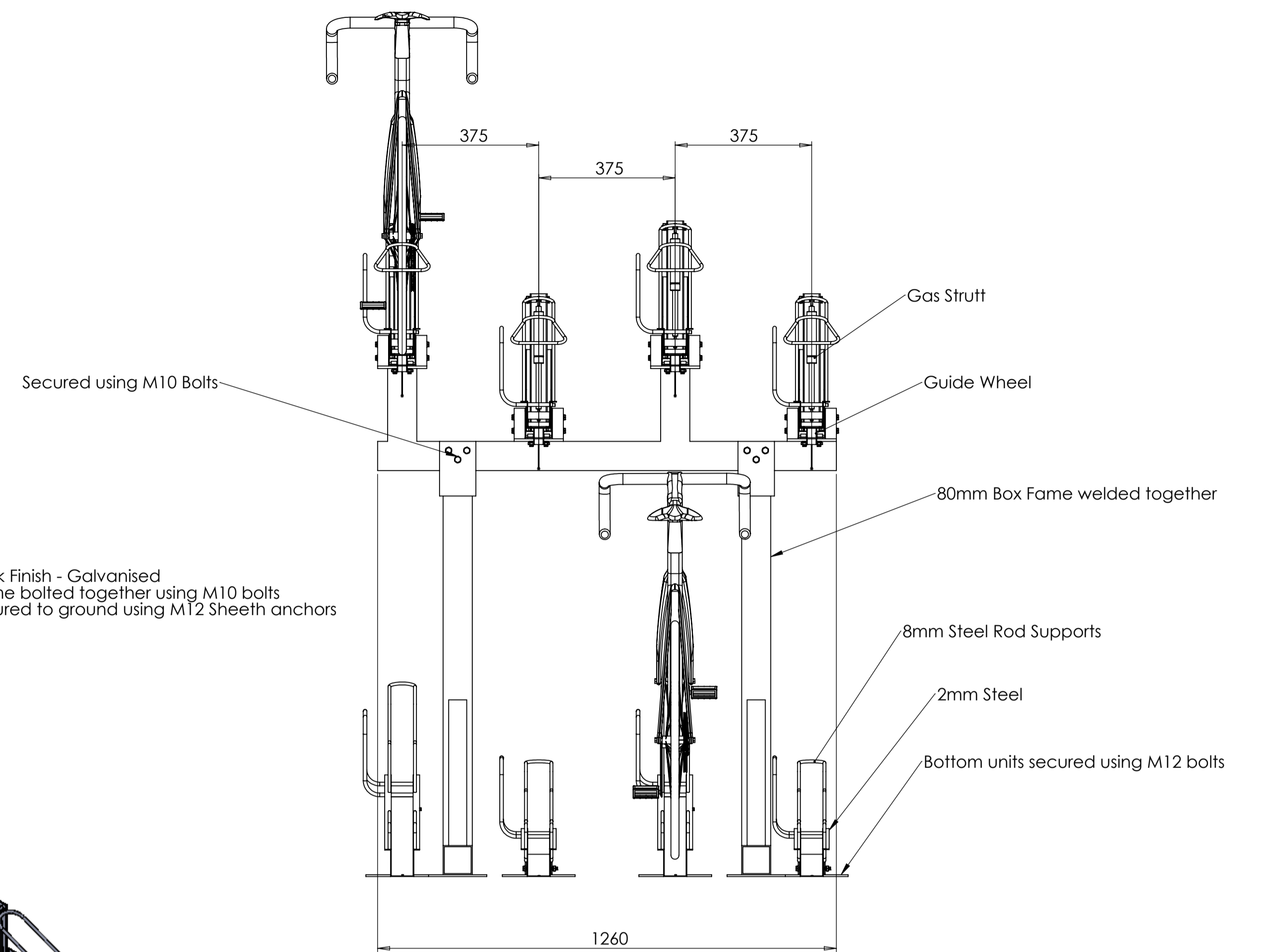


Rack Finish - Galvanised
 Frame bolted together using M10 bolts
 Secured to ground using M12 Sheeth anchors



UNLESS OTHERWISE SPECIFIED: DIMENSIONS ARE IN MILLIMETERS		FINISH:	DEBUR AND BREAK SHARP EDGES	DO NOT SCALE DRAWING	REVISION
SURFACE FINISH:					
TOLERANCES:					
LINEAR:					
ANGULAR:					
DRAWN:	NAME	SIGNATURE	DATE	TITLE:	
CHK'D:				Bike Dock Solutions www.bikedocksolutions.com 0800 612 6113	
APP'VD:					
MFG:					
Q.A.					
MATERIAL:			DWG NO.	Two Tier Customer Drawing	A1
WEIGHT:			SCALE:1:10	SHEET 1 OF 1	