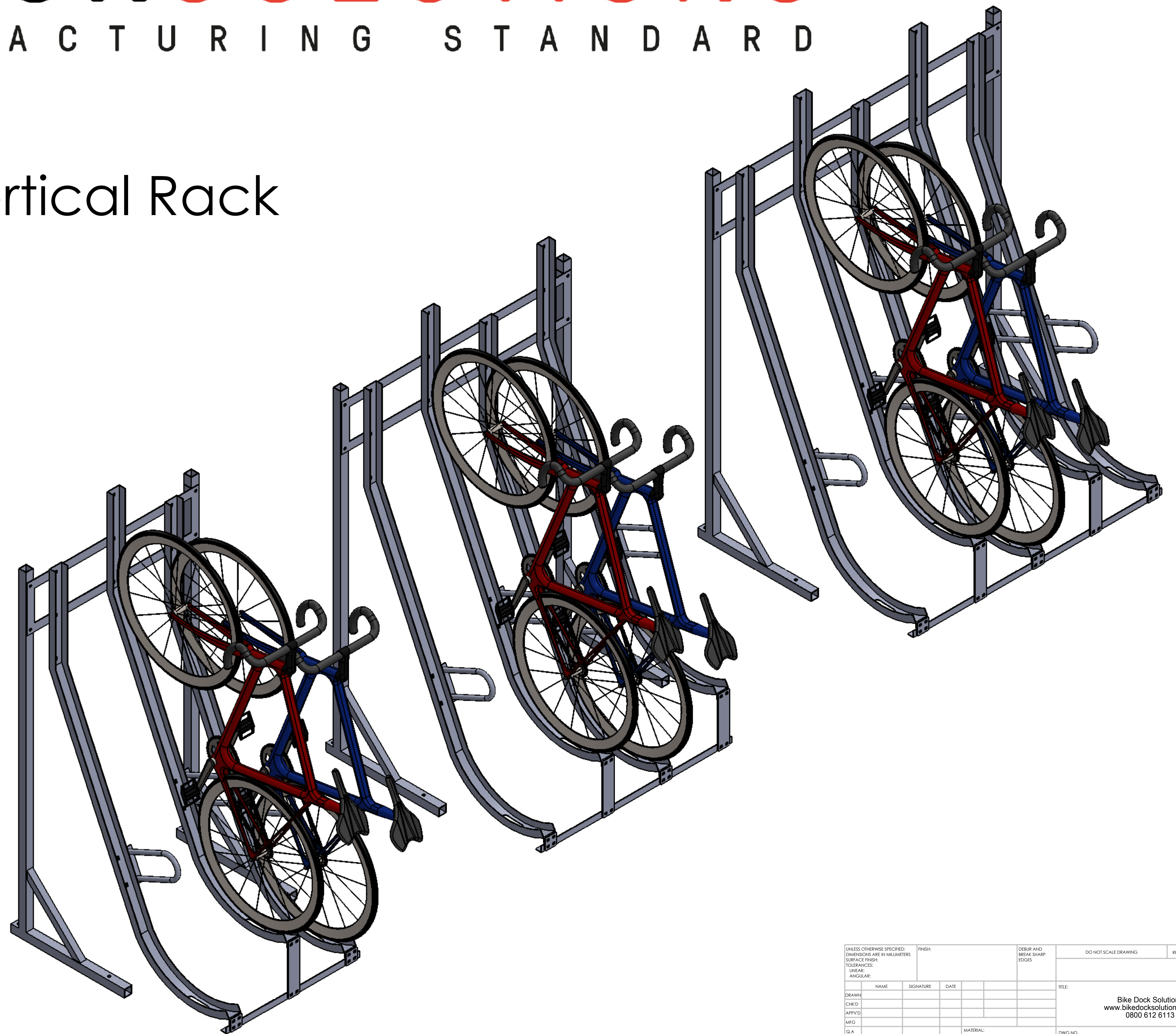


# BIKEDOCK SOLUTIONS®

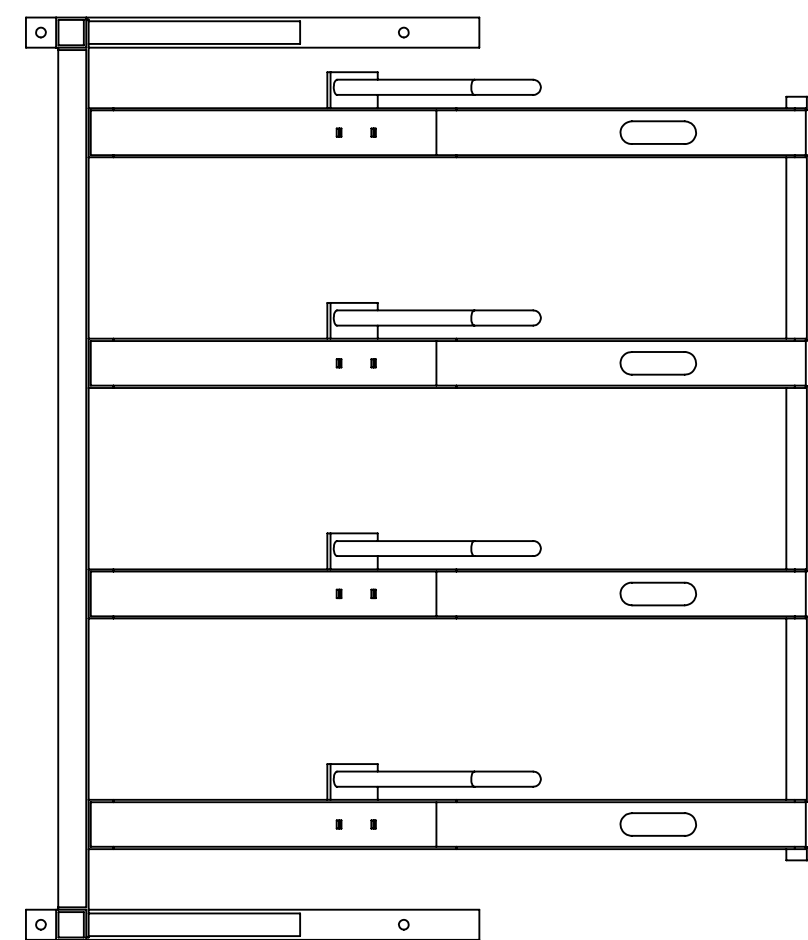
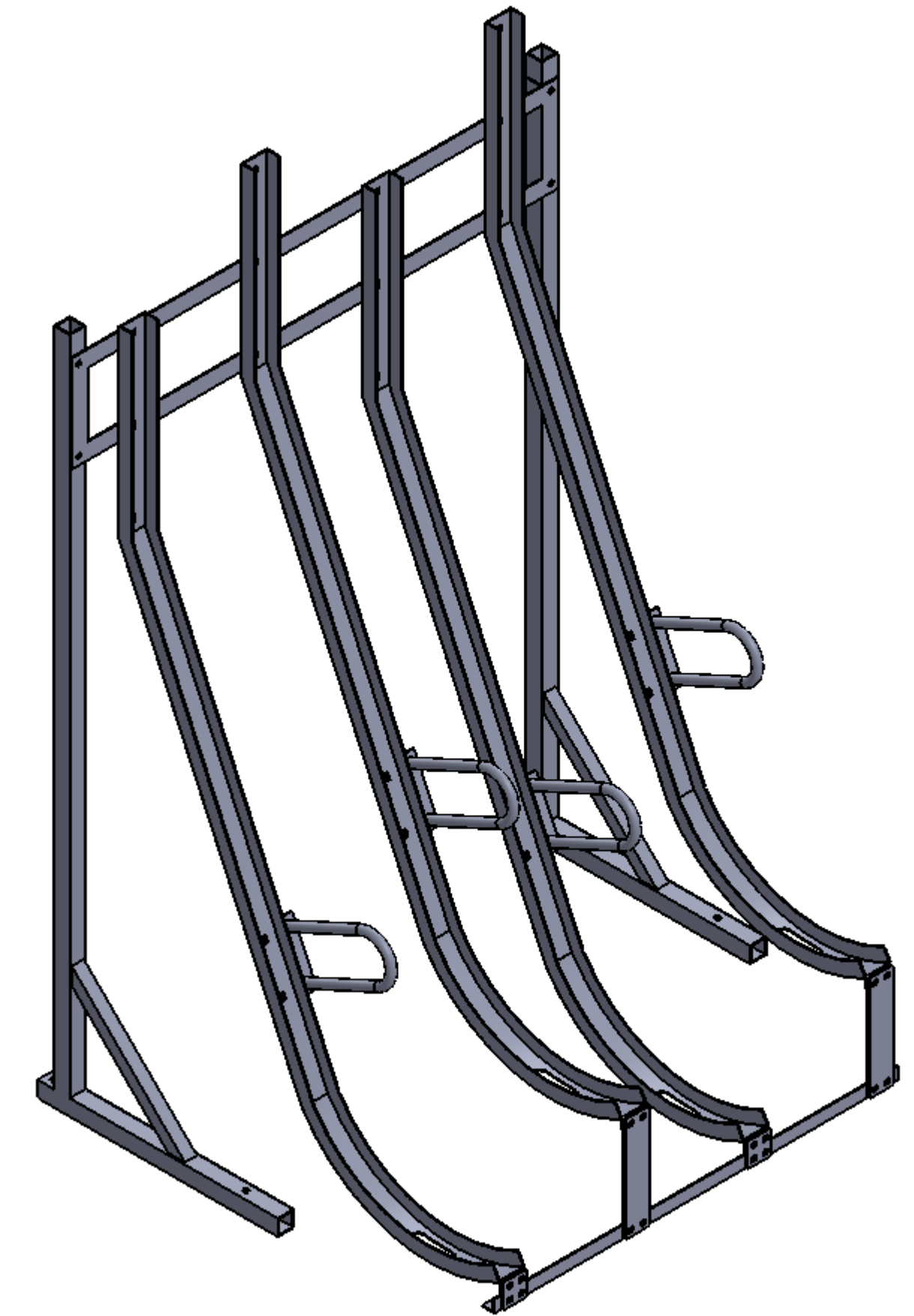
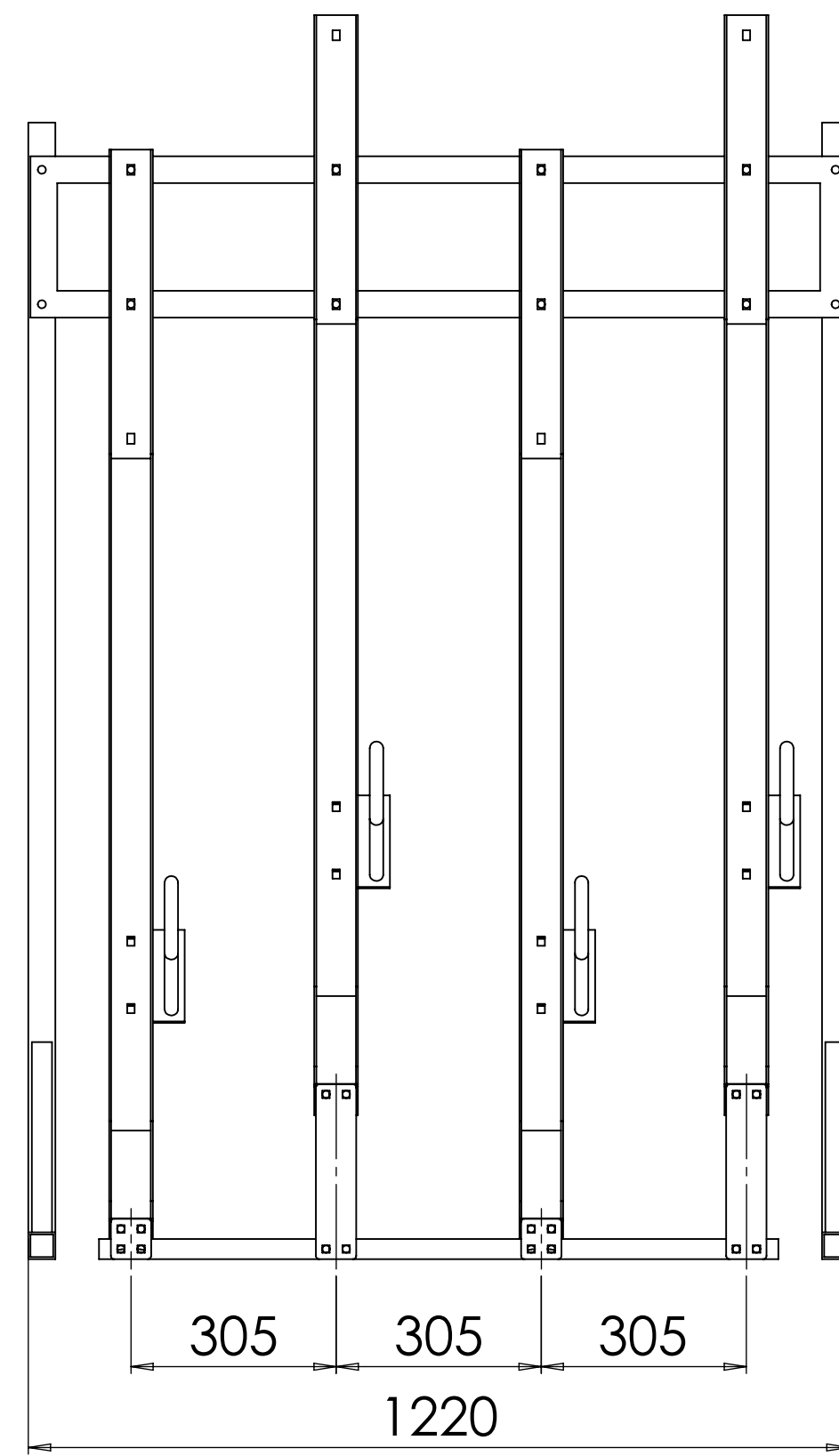
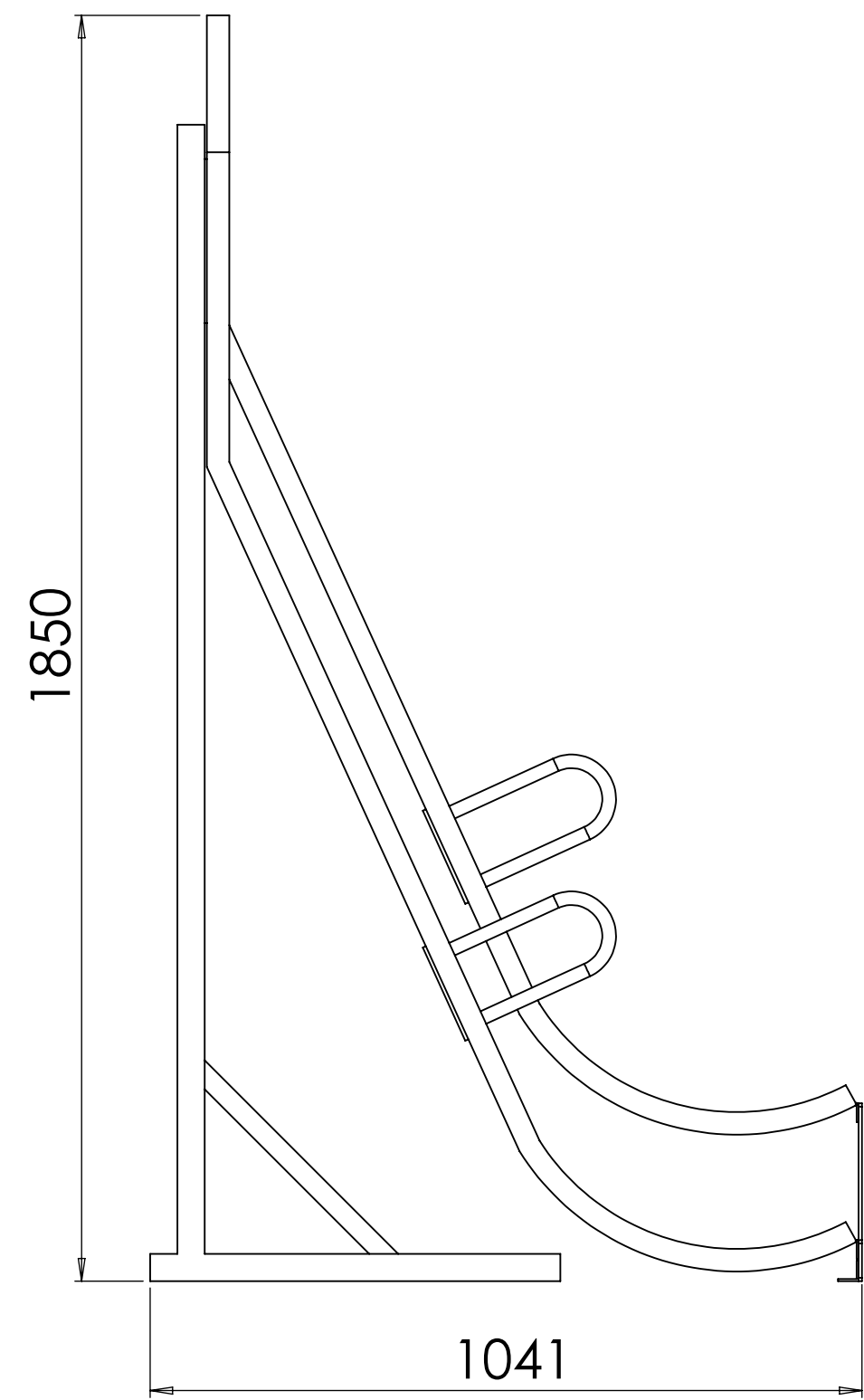
THE MANUFACTURING STANDARD

## BDS Semi Vertical Rack

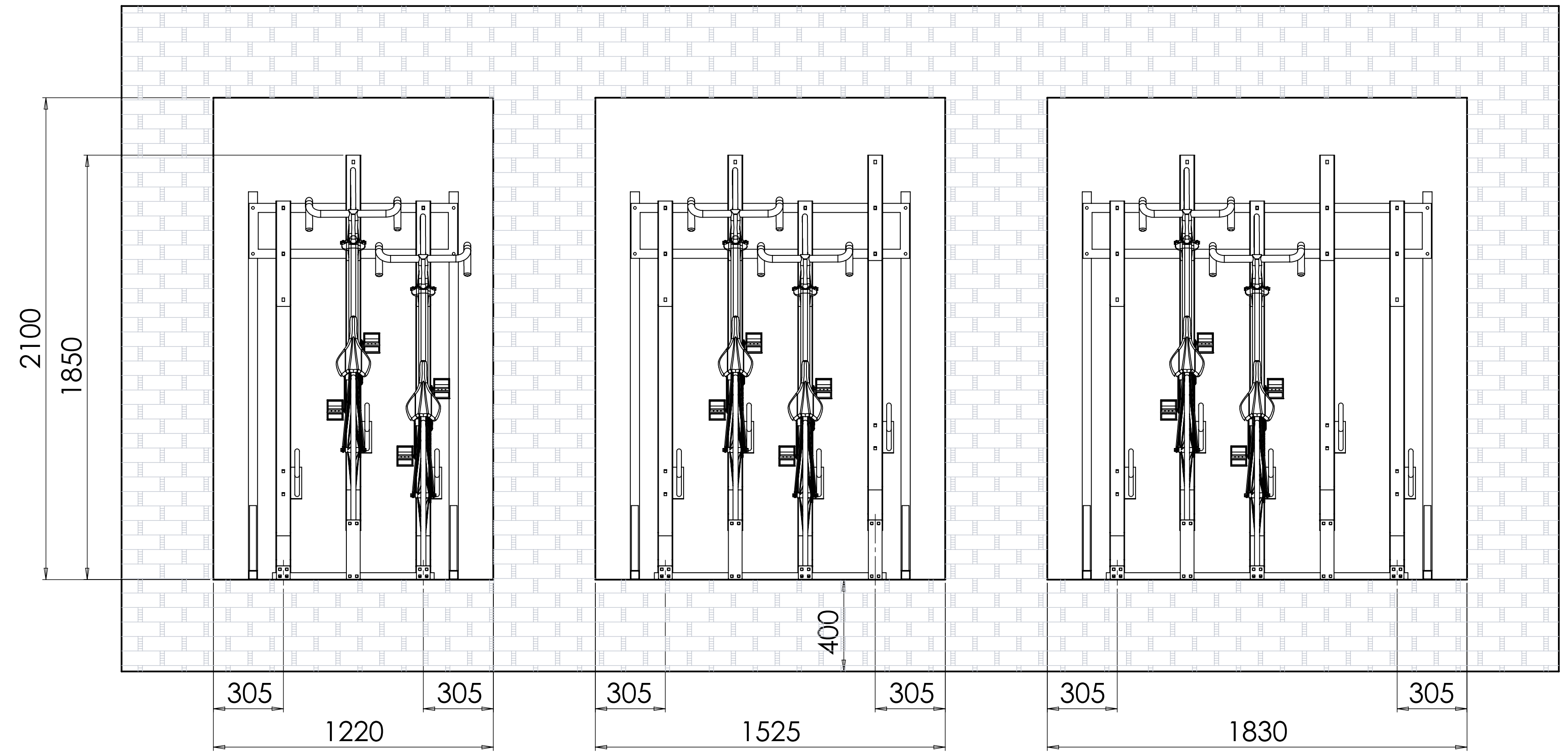
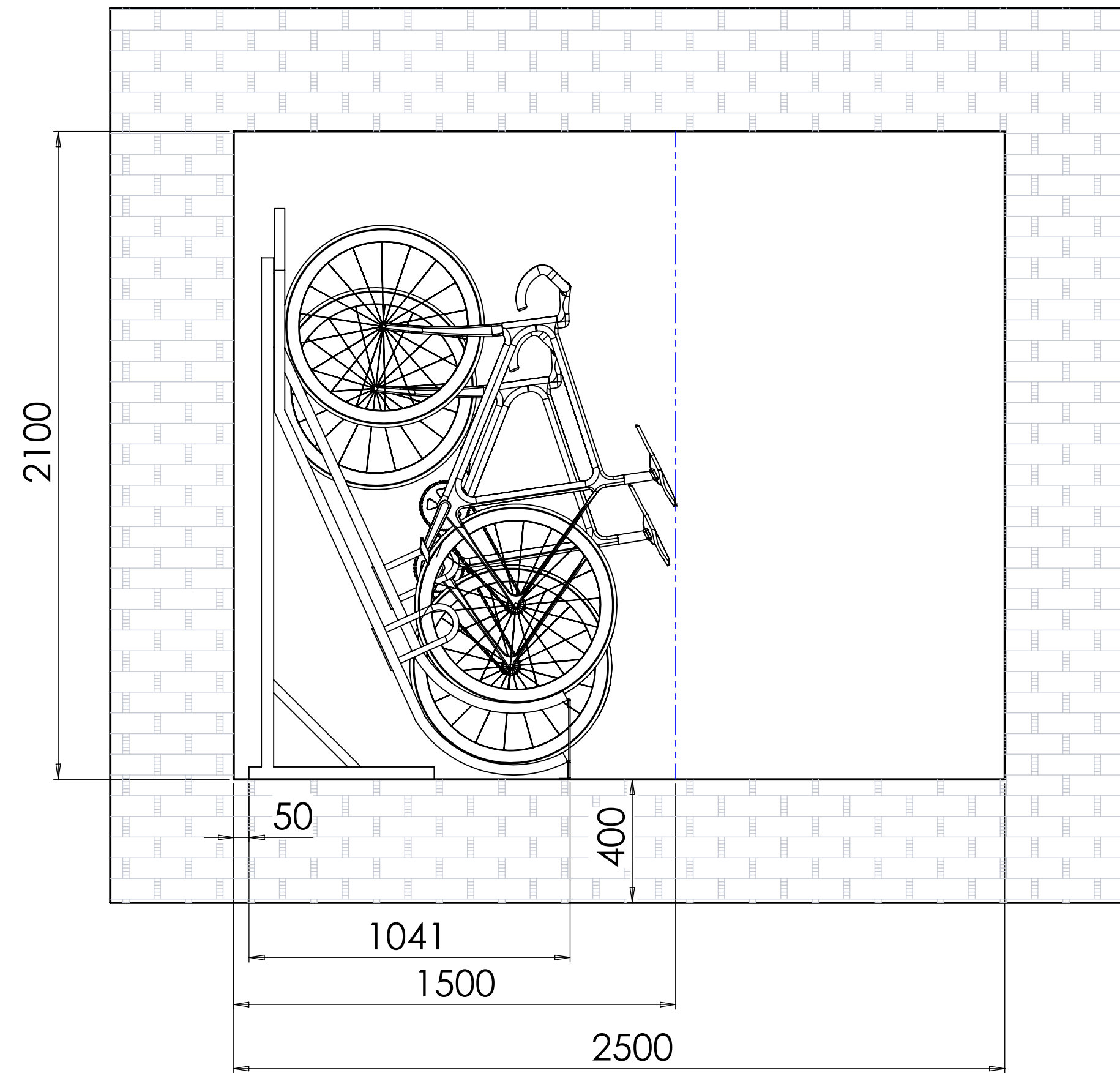


UNLESS OTHERWISE SPECIFIED: DIMENSIONS ARE IN MILLIMETERS		FINISH:	DEBUR AND BREAK SHARP EDGES	DO NOT SCALE DRAWING	REVISION
SURFACE FINISH:					
TOLERANCES:					
LINEAR:					
ANGULAR:					
DRAWN:	NAME	SIGNATURE	DATE	TITLE:	
CHK'D:				Bike Dock Solutions www.bikedocksolutions.com 0800 612 6113	
APP'VD:				DWG NO.	A1
MFG:				Semi Vertical Rack Information	
Q.A.				SCALE: 1:8	SHEET 1 OF 4
				WEIGHT:	





UNLESS OTHERWISE SPECIFIED: DIMENSIONS ARE IN MILLIMETERS SURFACE FINISH: TOLERANCES: LINEAR: ANGULAR:		FINISH:	DEBUR AND BREAK SHARP EDGES	DO NOT SCALE DRAWING	REVISION
DRAWN	NAME	SIGNATURE	DATE	TITLE:	
CHK'D				<b>Bike Dock Solutions</b> <a href="http://www.bikedocksolutions.com">www.bikedocksolutions.com</a> 0800 612 6113	
APP'VD					
MFG					
Q.A.					
MATERIAL:			DWG NO.	Customer Drawing	A1
WEIGHT:			SCALE:1:10	SHEET 2 OF 4	



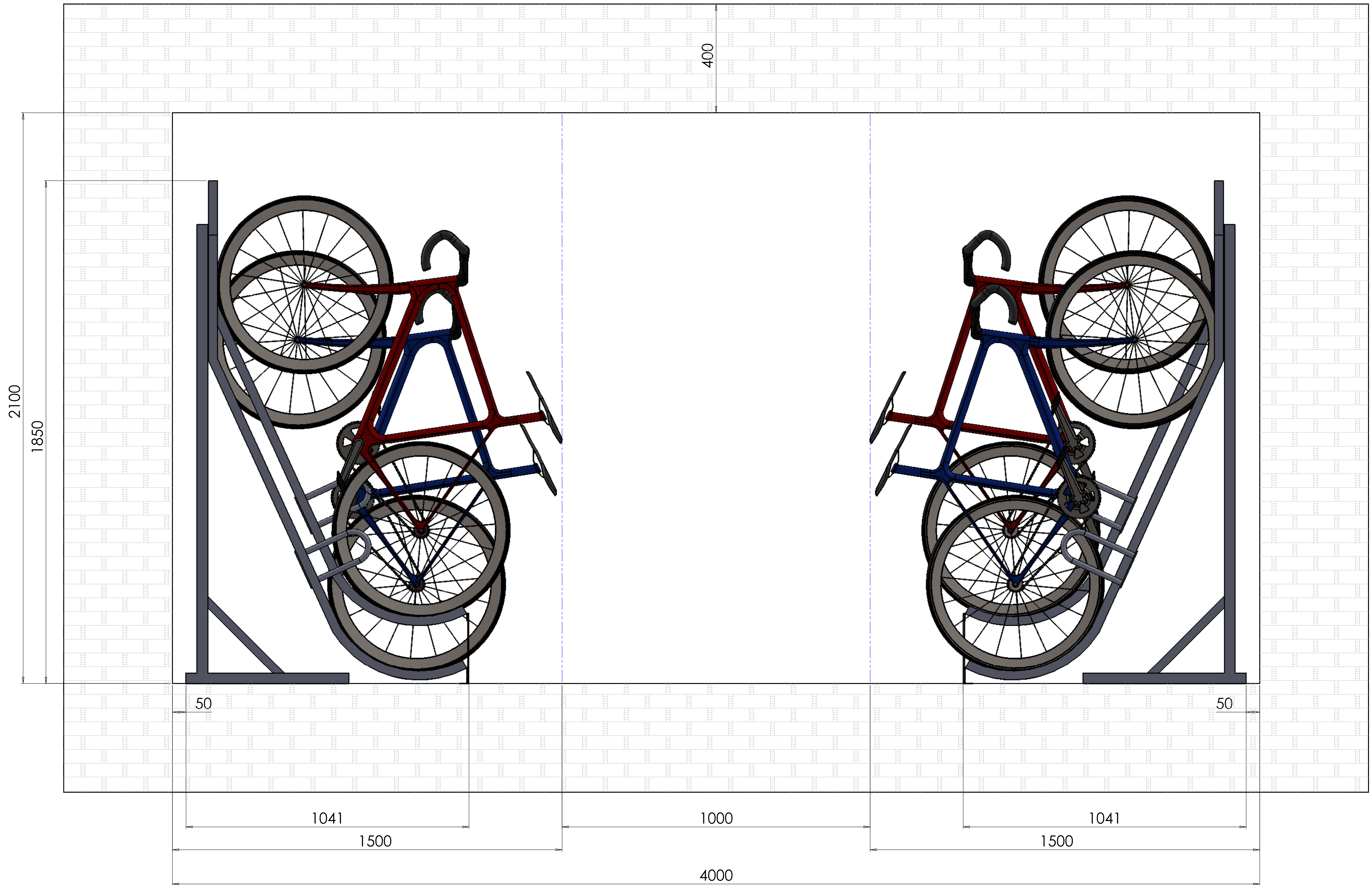
**3 Space**

**4 Space**

**5 Space**

UNLESS OTHERWISE SPECIFIED: DIMENSIONS ARE IN MILLIMETERS			FINISH:	DEBUR AND BREAK SHARP EDGES	DO NOT SCALE DRAWING	REVISION
SURFACE FINISH:						
TOLERANCES:						
LINEAR:						
ANGULAR:						
DRAWN:	NAME	SIGNATURE	DATE		TITLE:	
CHK'D:					<b>Bike Dock Solutions</b> <a href="http://www.bikedocksolutions.com">www.bikedocksolutions.com</a> 0800 612 6113	
APP'VD:						
MFG:						
Q.A.						
			MATERIAL:	DWG NO.	Semi Vertical Racks Space Requirements	A1
			WEIGHT:	SCALE:1:15	SHEET 3 OF 4	





UNLESS OTHERWISE SPECIFIED: DIMENSIONS ARE IN MILLIMETERS		FINISH:	DEBUR AND BREAK SHARP EDGES		DO NOT SCALE DRAWING	REVISION
SURFACE FINISH:						
TOLERANCES:						
LINEAR:						
ANGULAR:						
DRAWN:	NAME	SIGNATURE	DATE			TITLE:
CHK'D:						Bike Dock Solutions www.bikedocksolutions.com 0800 612 6113
APP'VD:						
MFG:						
Q.A:						
				MATERIAL:	DWG NO.	Facing Racks
				WEIGHT:	SCALE: 1:7	A1
					SHEET 4 OF 4	