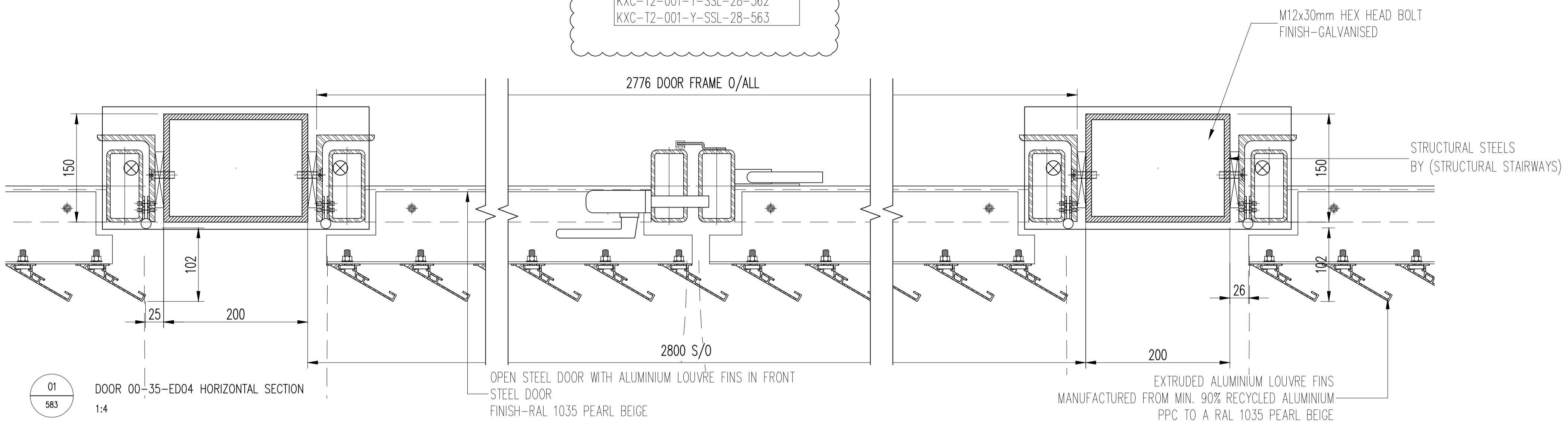
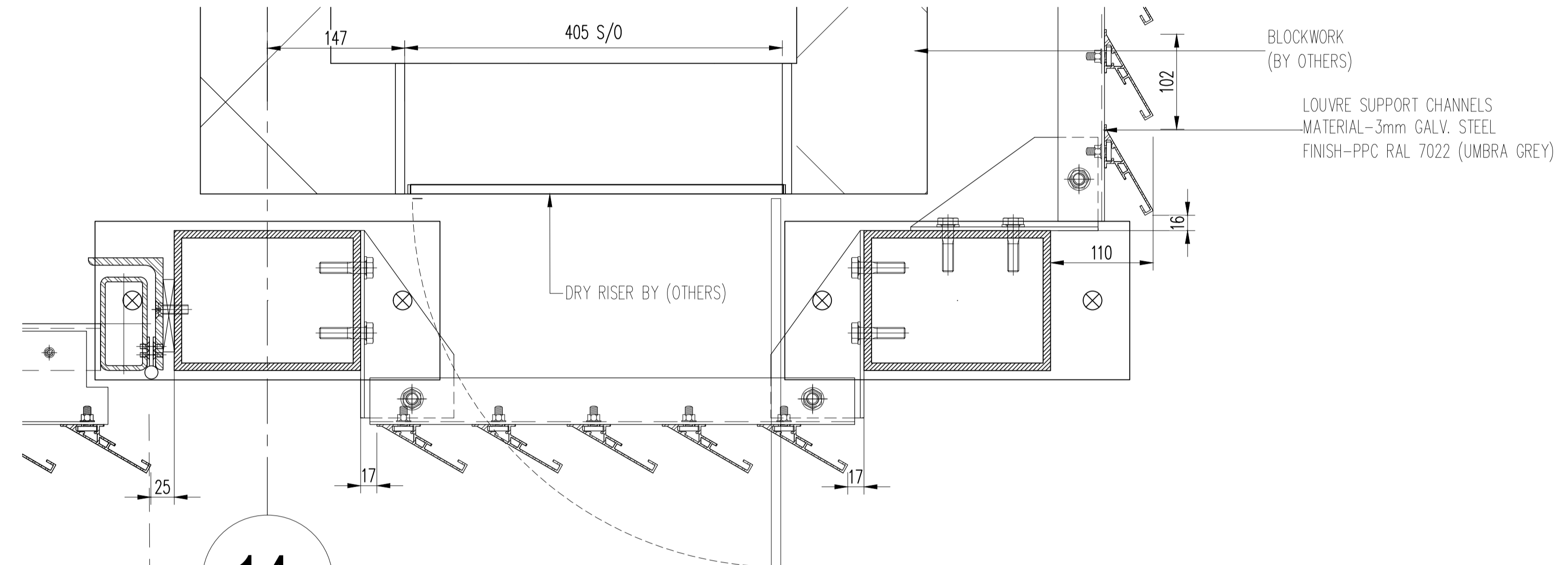


FOR STEEL AND OPEN LOUVRED  
DOORS DETAILS REFER TO DRAWING  
KXC-T2-001-Y-SSL-28-562  
KXC-T2-001-Y-SSL-28-563



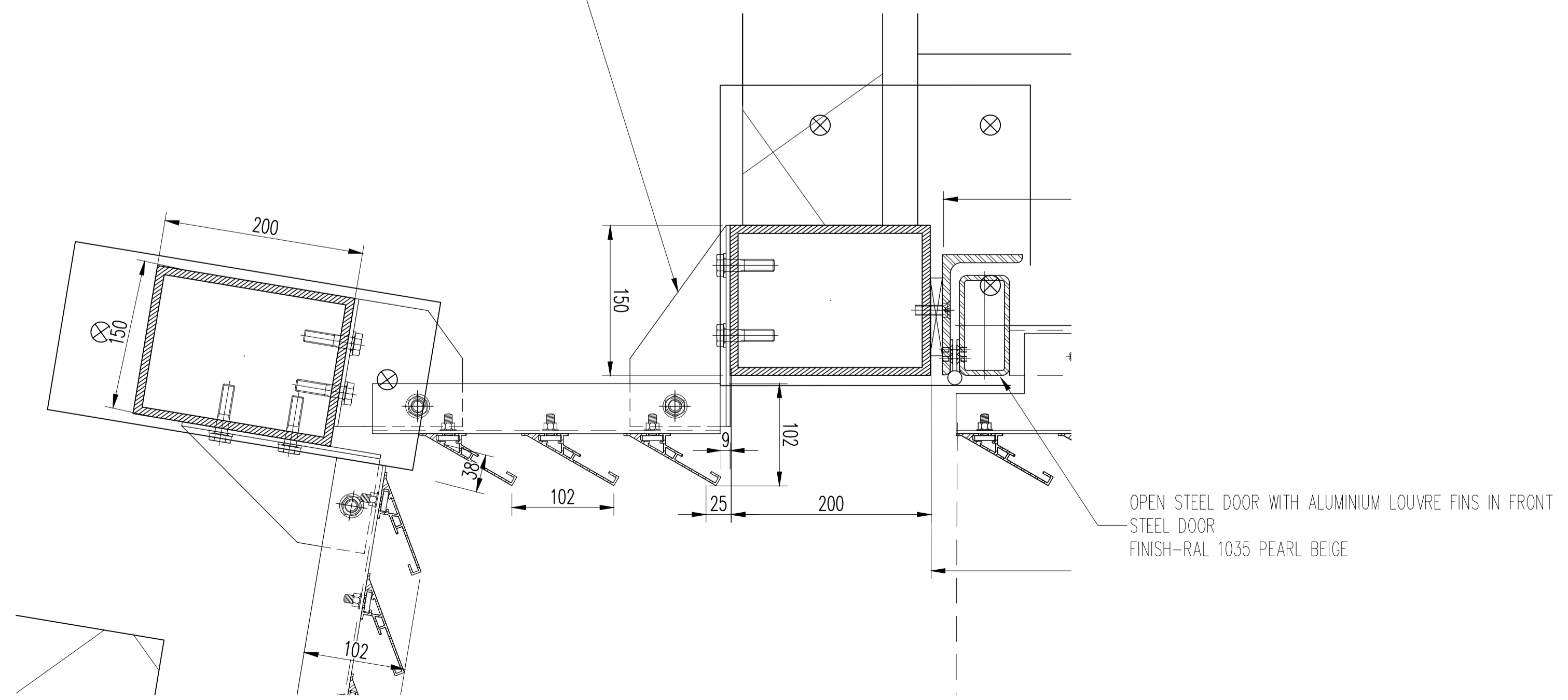
01 DOOR 00-35-ED04 HORIZONTAL SECTION  
583 1:4



02 DRY RISER HORIZONTAL SECTION  
583 1:4

14

CHANNEL FIXING BRACKET  
MATERIAL-4mm GALV. STEEL  
FINISH-PPC RAL 7022 (UMBRA GREY)



03 CORNER INTERFACE DETAIL  
583 1:4

NOTE: LOUVRES, FEATURE CHANNEL,  
AND DOORS FINISHES  
TO MATCH APPROVED SAMPLES

**Note :-**  
This drawing must not be scaled. All dimensions and levels must be checked on site and any discrepancies reported to the designers prior to manufacture.  
This drawing is the copyright of Emtec Products Ltd. It can be used only by this client and on this project as shown in the title block below.

01	COMMENTS INCORPORATED	29.08.19
00	ISSUED FOR APPROVAL	12.06.19
no.	issued	date

FOR APPROVAL

**EMTEC**  
EMTEC PRODUCTS LTD  
Unit L, Turn Pike Way, Cressex Industrial Estate High Wycombe,  
Buckinghamshire. HP12 3FT  
TEL: 020 8848 3031 www.emtecprouducts.co.uk

Drawing Title  
N-1 BUILDING LOUVRE SCREEN  
HORIZONTAL SECTIONS  
SHEET-4

Project  
KINGS CROSS T-ZONE

Client  
STRUCTURAL STAIRWAYS

File no.	Date	Works No.	Quality level
QF9377	12.06.19	PF	1

Scale	Drawn By	Design Auth	Approved
AS NOTED	E.A	E.A	S.E

Drawing number	Rev
KXC-T2-001-Y-SSL-28-583	01