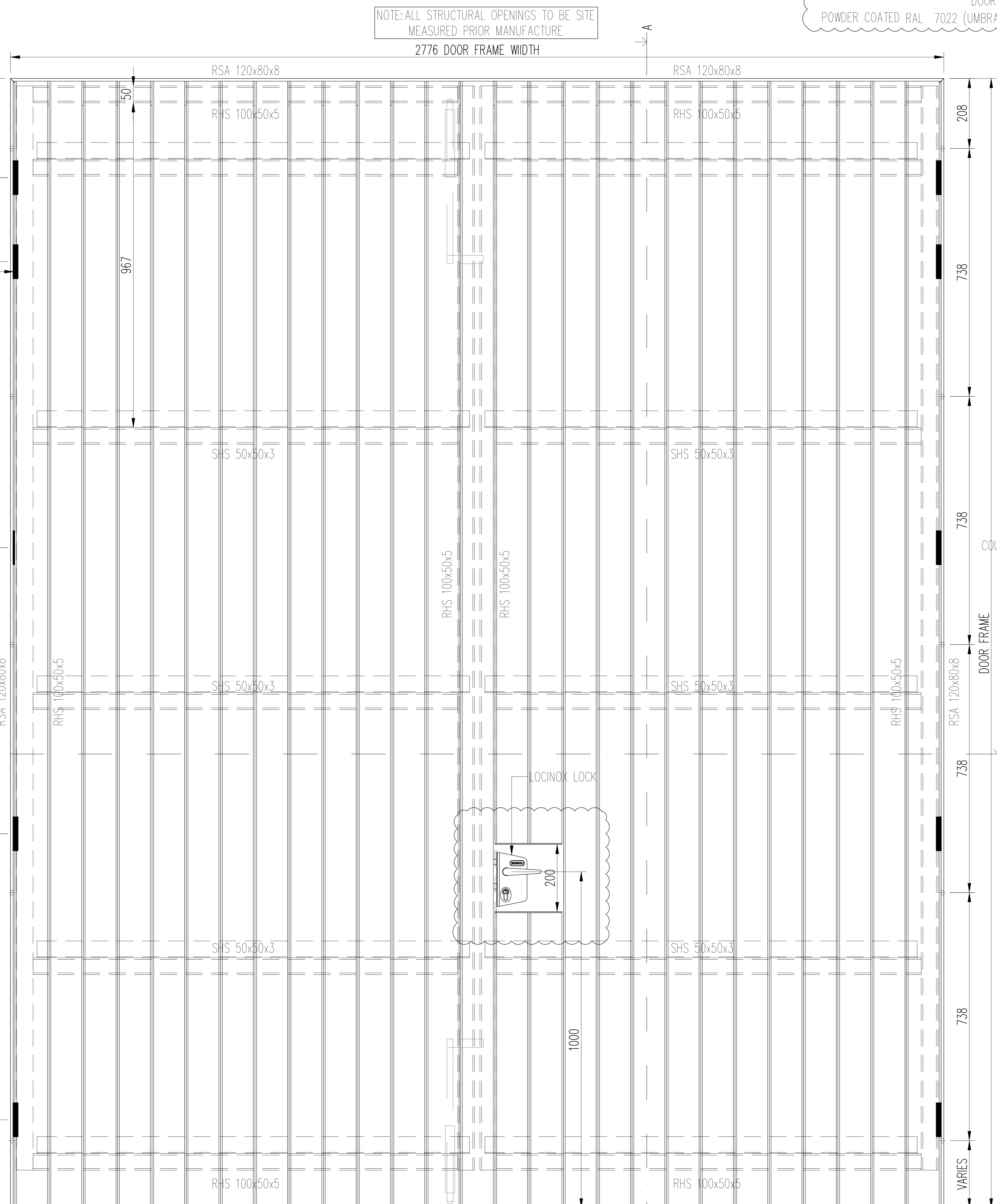


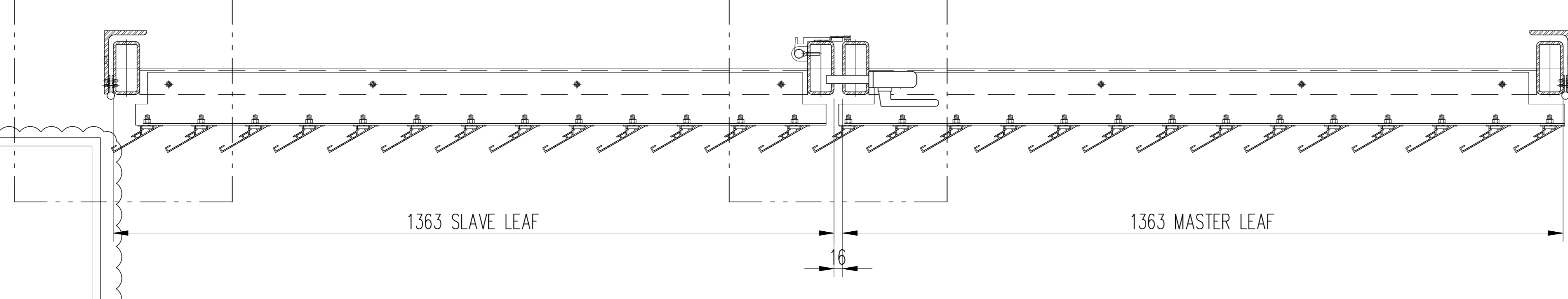
LOUVRE DOOR SECTION A-A

T-ZONE LOUVRED DOOR CONSTRUCTION:
 EMTEC W/LAC-158(AL) DOUBLE DOOR (S/O SEE TABLE x SEE TABLE)
FINISH:
 LOUVRE BLADES-PPC RAL 1035 (PEARL BEIGE)
 DOOR FRAME-PPC RAL 7022 (UMBRA GREY)
IRONMONGERY:
 LOCINOX DOOR LOCK WITH EURO PROFILE CYLINDER PPC RAL 1035 (PEARL BEIGE)
 STAINLESS STEEL HINGES ON OUTSIDE
 SHOOT BOLT TOP AND BOTTOM ON SLAVE LEAF PPC RAL 7022 (UMBRA GREY)



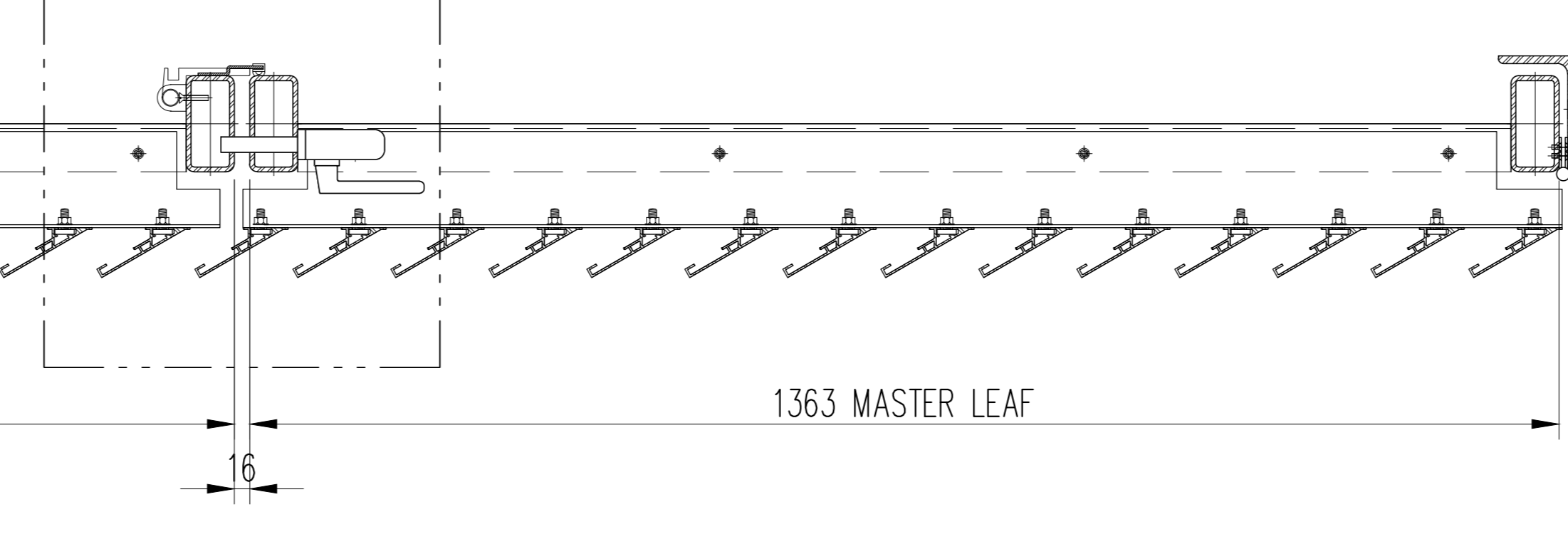
LOUVRE DOOR FRONT ELEVATION

DETAIL-B



LOUVRE DOOR SECTION B-B

DETAIL-C

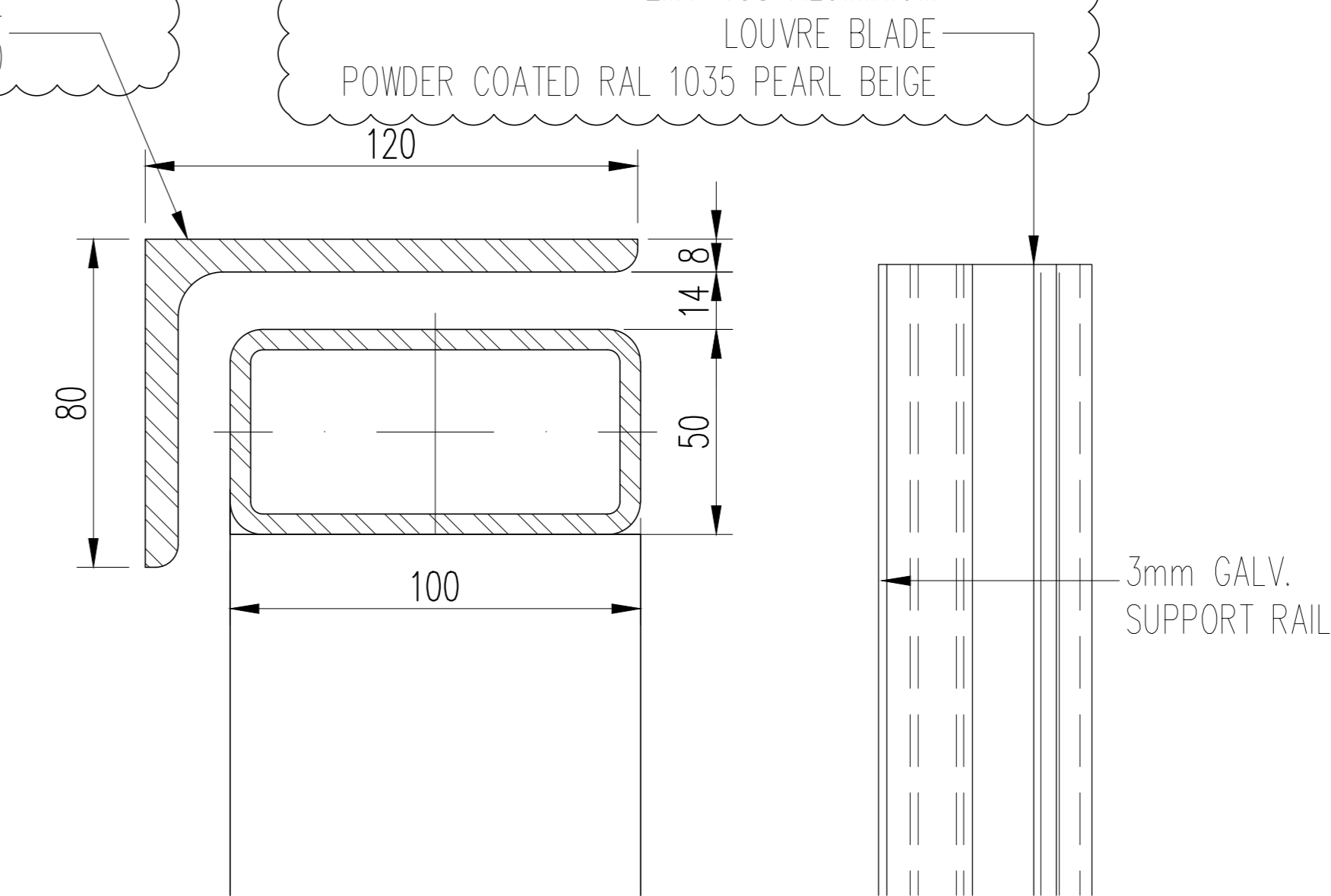


LOUVRE DOOR SECTION C-C

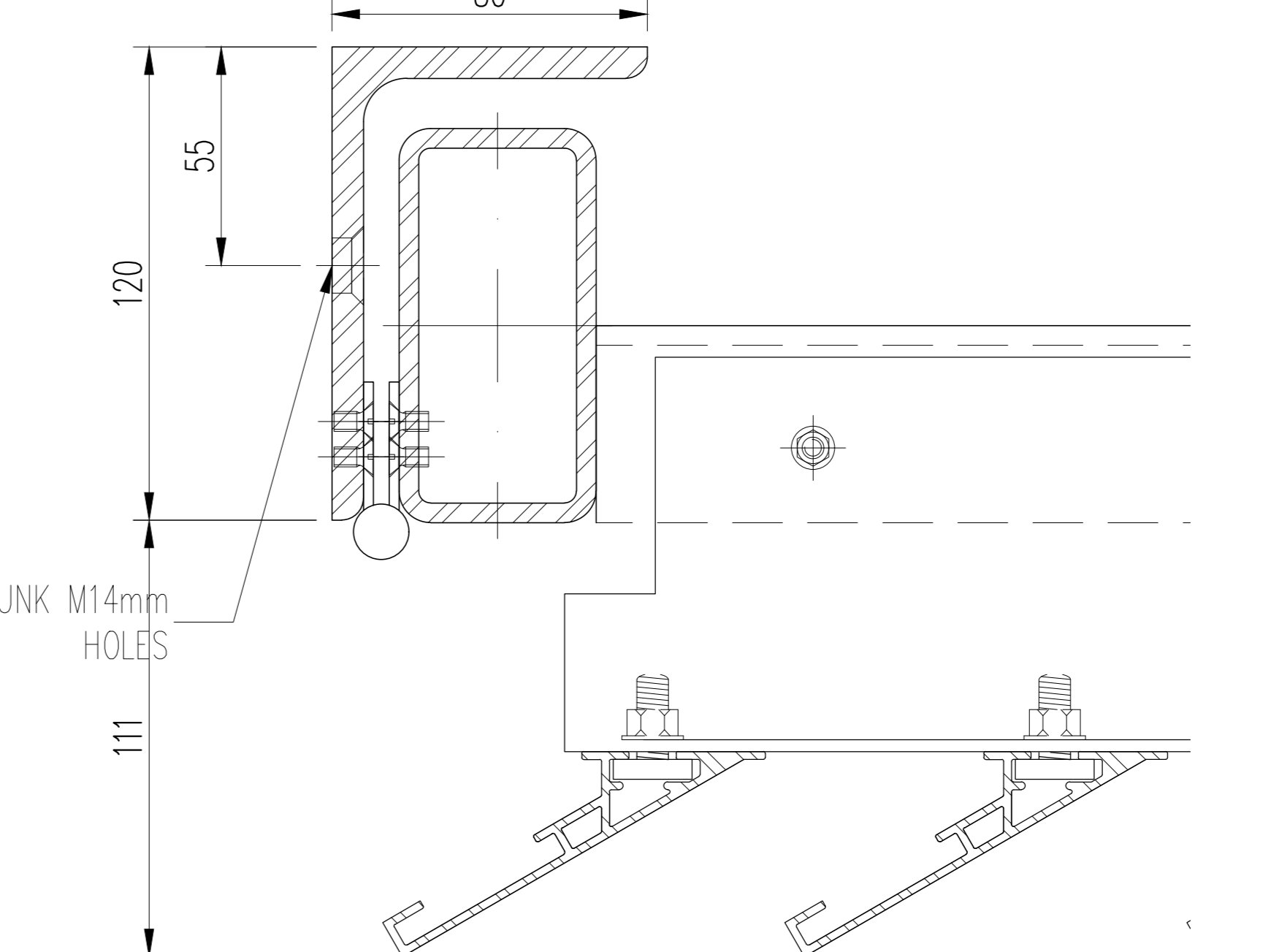
NOTE: ALL STRUCTURAL OPENINGS TO BE SITE MEASURED PRIOR MANUFACTURE
 2776 DOOR FRAME WIDTH

DOOR FRAME
 POWDER COATED RAL 7022 (UMBRA GREY)

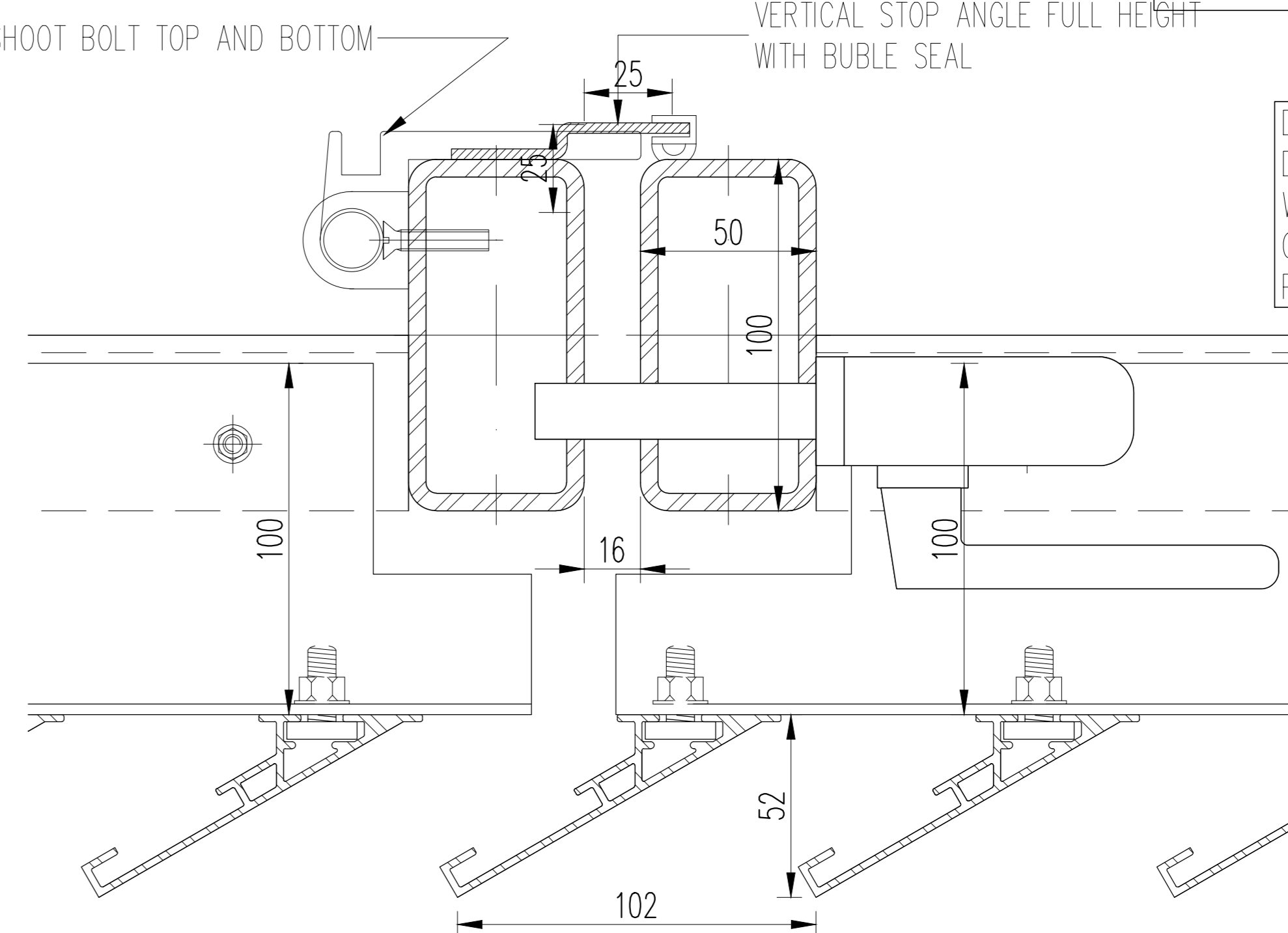
EMT-158 ALUMINIUM LOUVRE BLADE
 POWDER COATED RAL 1035 PEARL BEIGE



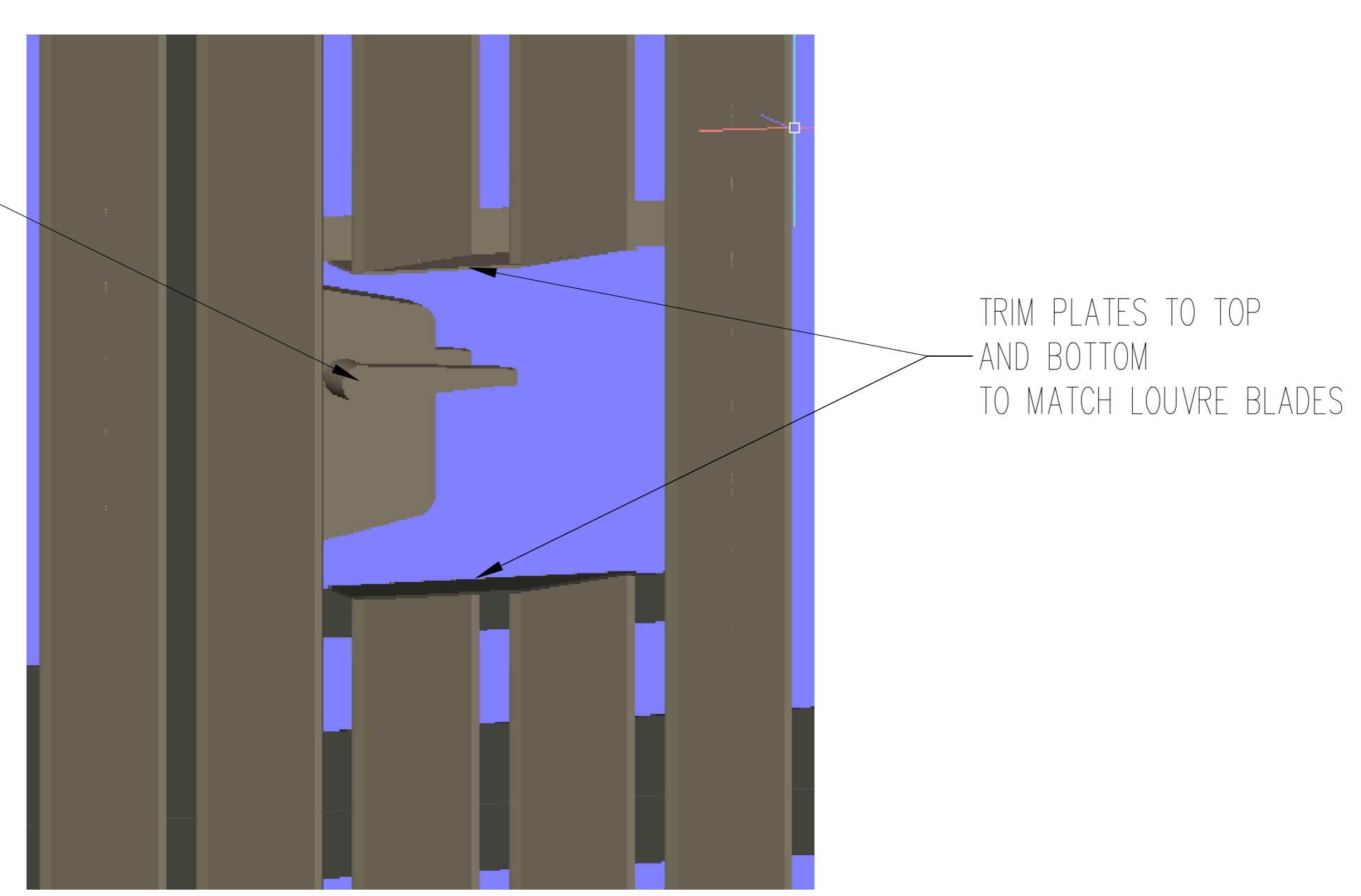
LOUVRE DOOR HEAD DETAIL-A



LOUVRE DOOR JAMB DETAIL-B



LOUVRE DOOR LOCK DETAIL



LOUVRE DOOR LOCK TRIM DETAIL

WEST ELEVATION LOUVRED DOOR SCHEDULE

BUILDING REF	DOOR REF.	S/O WIDTH	S/O HEIGHT
S1	00-55-ED01	2800	3295
S1	00-55-ED01	2800	3295
S2	00-22-ED01	2800	2775
S2	00-52-ED01	2800	2555
S2	00-33-ED01	2800	2385
S2	T.B.C	2800	2385
S2	T.B.C	2800	2385
N1	00-33-ED02	2800	2345
N1	00-C07-ED02	2800	2345
N1	00-35-ED04	2800	2435
N1	00-35-ED03	2800	2415
N1	00-35-ED02	2800	2425
N1	00-35-ED01	2800	2465
N1	T.B.C	2800	2465
N1	T.B.C	2800	2465
N1	T.B.C	2800	2465
N1	T.B.C	2800	2425
N1	T.B.C	2800	2425
N1	T.B.C	2800	2415
N1	T.B.C	2800	2415
N1	T.B.C	2800	2435
N1	T.B.C	2800	2345
N2	00-40-ED02	2800	2560
N2	00-40-ED01	2250	2250
N2	00-43-ED01	2800	2725

DRAWN DOOR IS FOR BUILDING S1 DOOR 00-55-ED01, SIMILAR DETAILS WILL BE APPLICABLE TO ALL OTHER OPEN FRAME LOUVRE DOORS AS PER SCHEDULE ABOVE.

Note :-
 This drawing must not be scaled. All dimensions and levels must be checked on site and any discrepancies reported to the designers prior to manufacture.
 This drawing is the copyright of Emtec Products Ltd. It can be used only by this client and on this project as shown in the title block below.

no.	issued	date
02	COMMENTS INCORPORATED	04.09.19
01	COMMENTS INCORPORATED	07.08.19
00	FIRST ISSUE	03.06.19

FURTHER REVIEW



Unit L, Turn Pike Way, High Wycombe, Buckinghamshire, HP12 3JF
 TEL: 029 4848 3031 www.emteproducts.co.uk

Drawing Title
OPEN STEEL LOUVRE DOOR TYPICAL DETAILS

File no.	Date	Works No.	Quality level
QF9377	30.05.19	PF	1
Scale	Drawn By	Design Auth	Approved
AS NOTED	E.A.	E.A.	S.E.
Drawing number	Rev		
KXC-T2-001-Y-SSL-28-562	02		