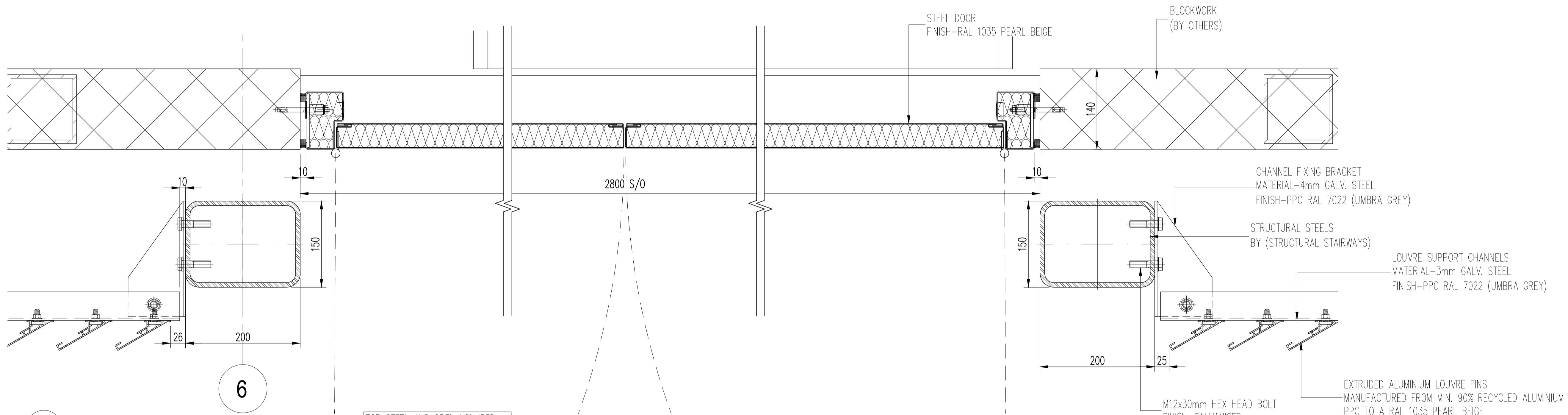


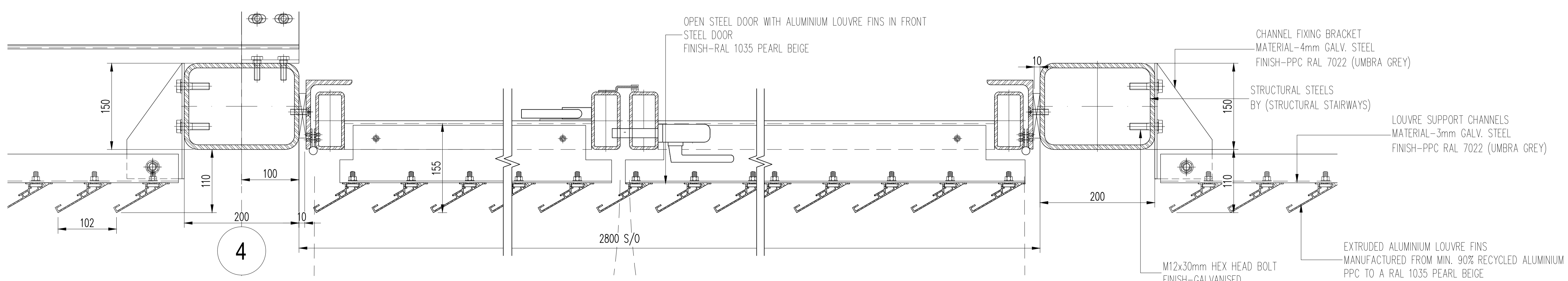
01 HORIZONTAL SECTION  
558 1:4



02 HORIZONTAL SECTION  
558 1:4

FOR STEEL AND OPEN LOUVRED DOORS DETAILS REFER TO DRAWING KXC-T2-001-Y-SSL-28-562 KXC-T2-001-Y-SSL-28-563

NOTE: LOUVRES, FEATURE CHANNEL, AND DOORS FINISHES TO MATCH APPROVED SAMPLES



03 HORIZONTAL SECTION  
558 1:4

**Note :-**  
This drawing must not be scaled. All dimensions and levels must be checked on site and any discrepancies reported to the designers prior to manufacture.  
This drawing is the copyright of Emtec Products Ltd. It can be used only by this client and on this project as shown in the title block below.

03	COMMENTS INCORPORATED	29.08.19
02	COMMENTS INCORPORATED	12.06.19
01	COMMENTS INCORPORATED	01.05.19
00	ISSUED FOR APPROVAL	25.03.19
no.	issued	date

**FOR CONSTRUCTION**



S-1 BUILDING LOUVRE SCREEN  
HORIZONTAL SECTIONS  
SHEET-1

Project  
KINGS CROSS T-ZONE

Client  
STRUCTURAL STAIRWAYS

File no.	Date	Works No.	Quality level
QF9377	17.03.19	PF	1

Scale	Drawn By	Design Auth	Approved
AS NOTED	E.A	E.A	S.E

Drawing number	Rev
KXC-T2-001-Y-SSL-28-558	03