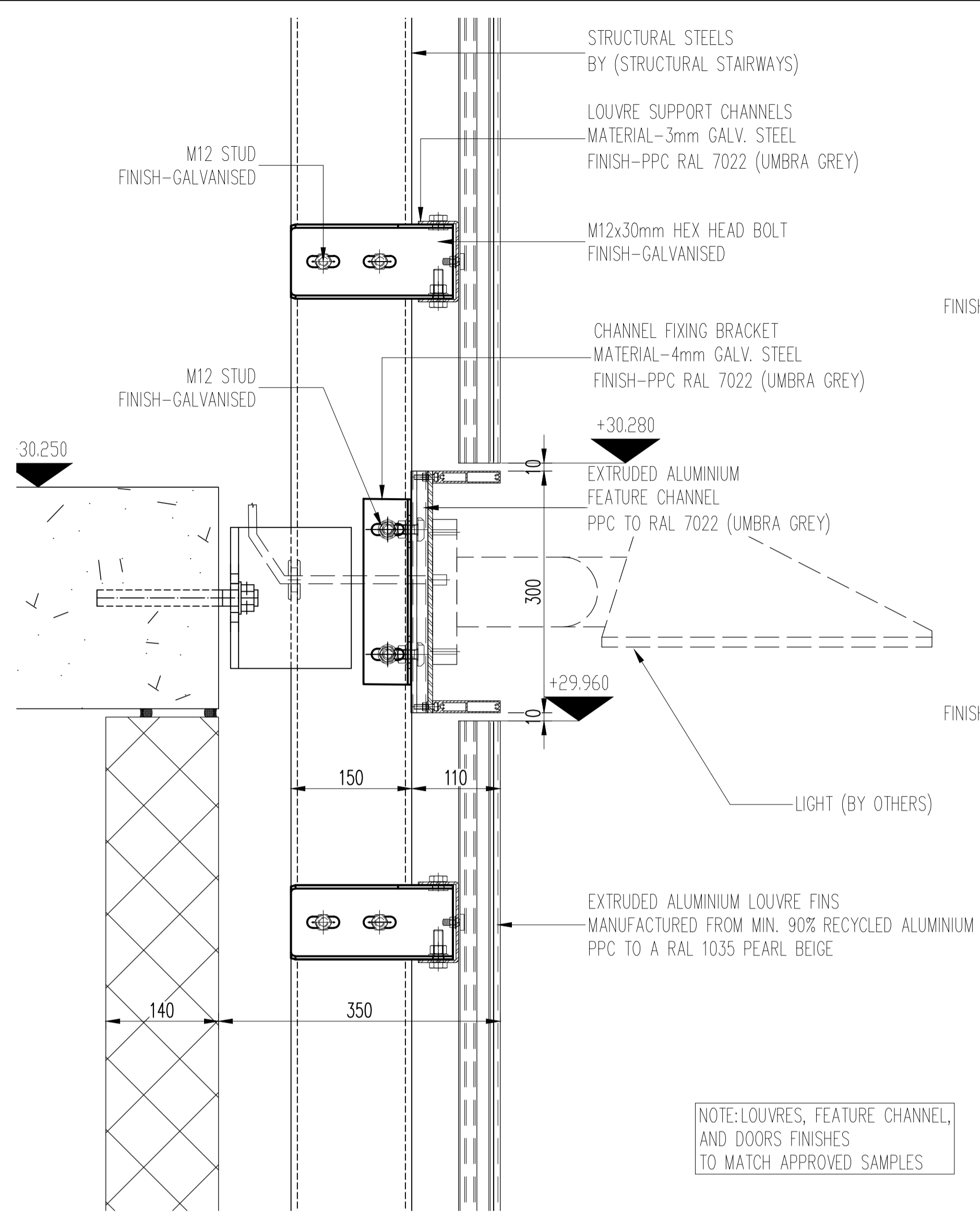
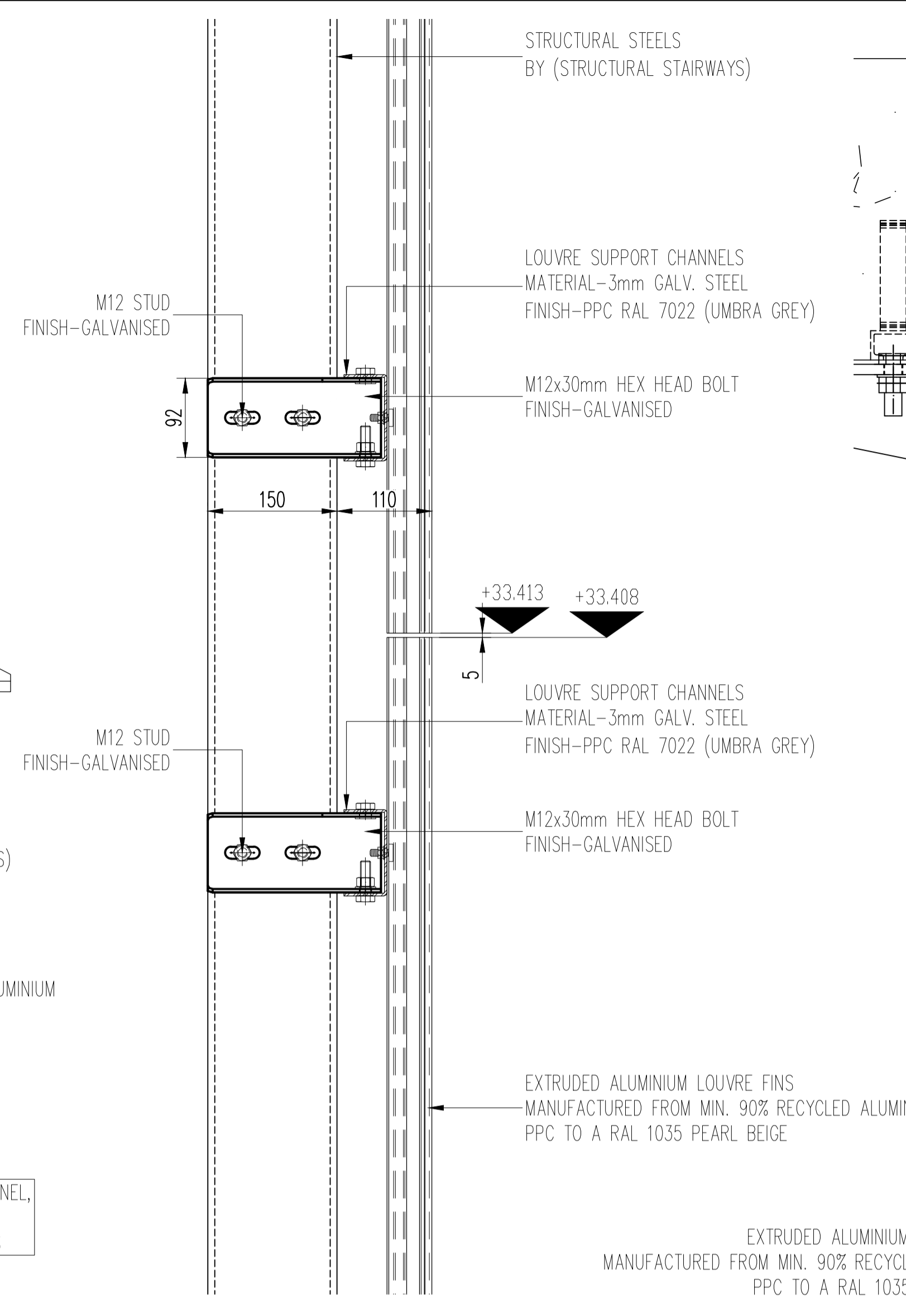


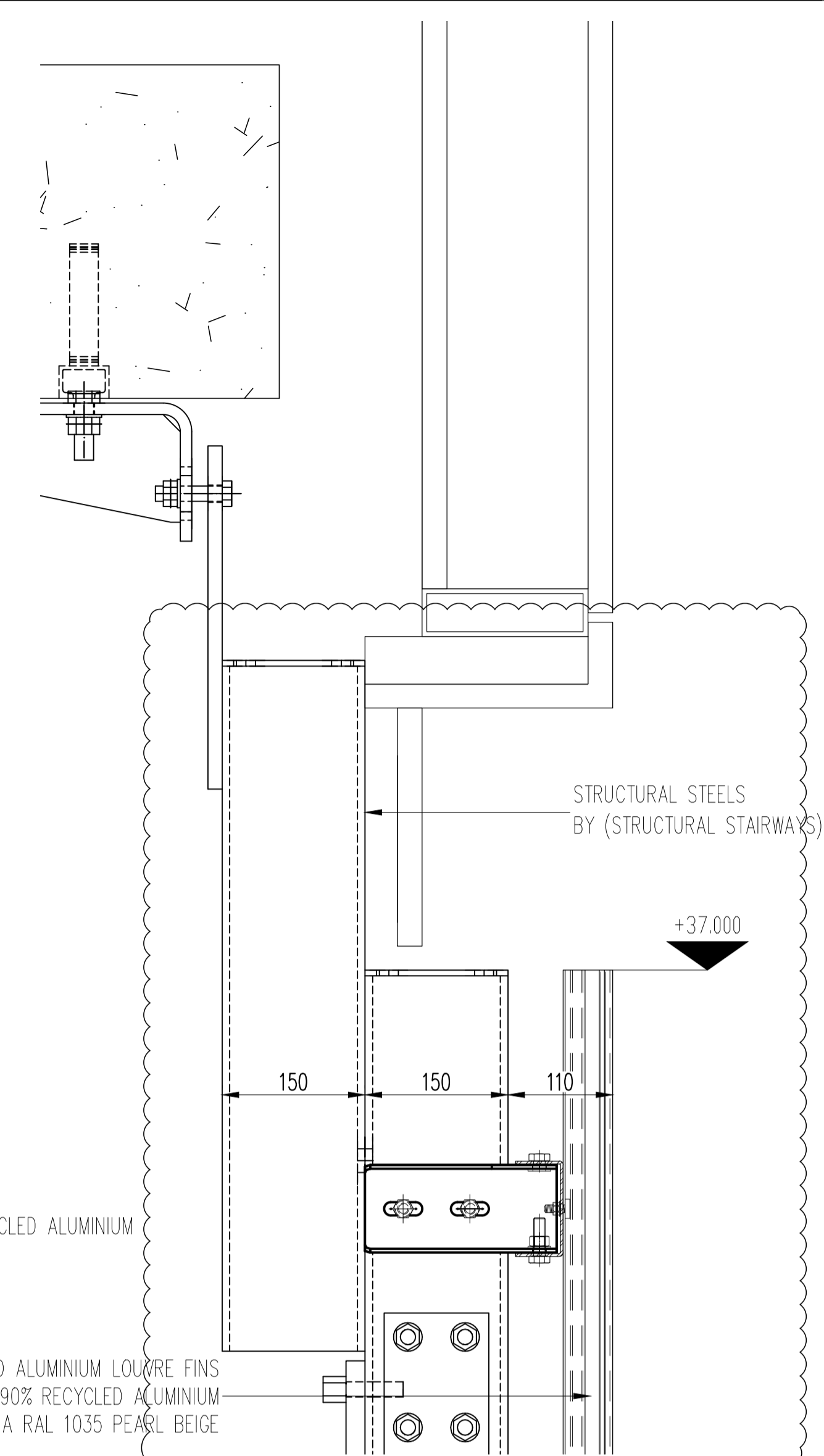
01 DRY RISER DETAILS
556 1:5



02 FEATURE CHANNEL DETAIL
556 1:5

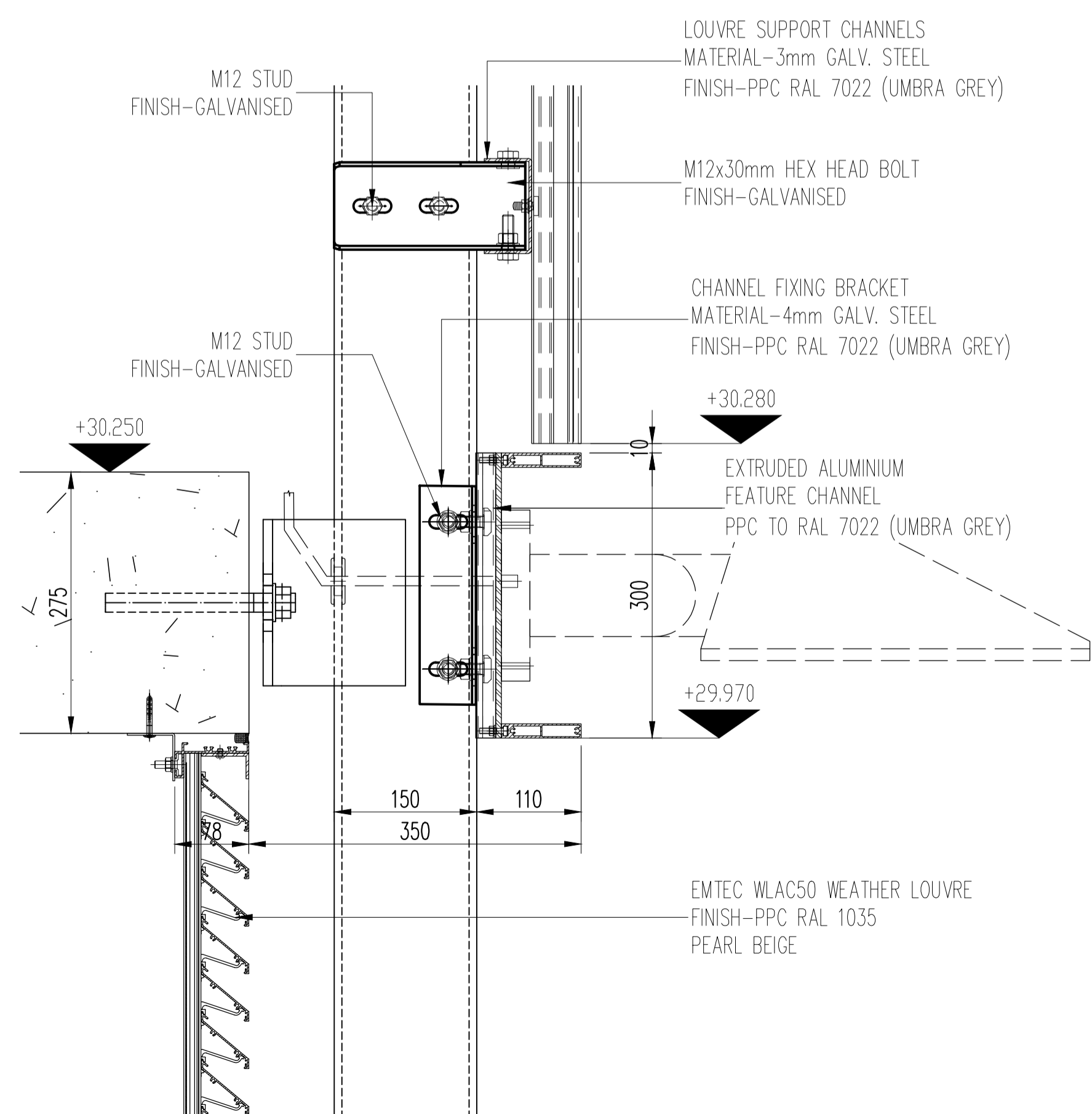


03 BLADES STACK JOINT DETAIL
556 1:5

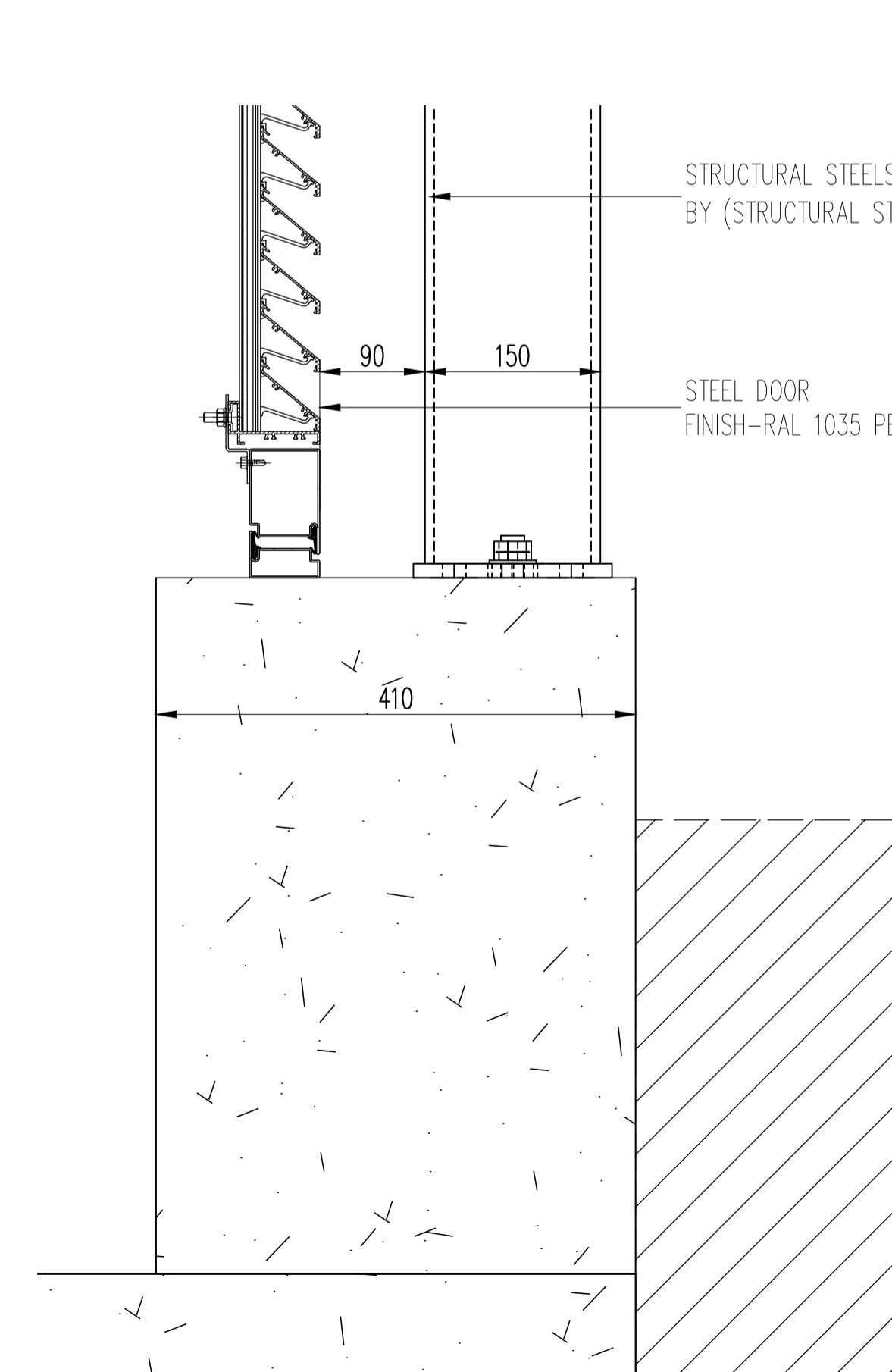


04 LOUVRE SCREEN HEAD DETAIL
556 1:5

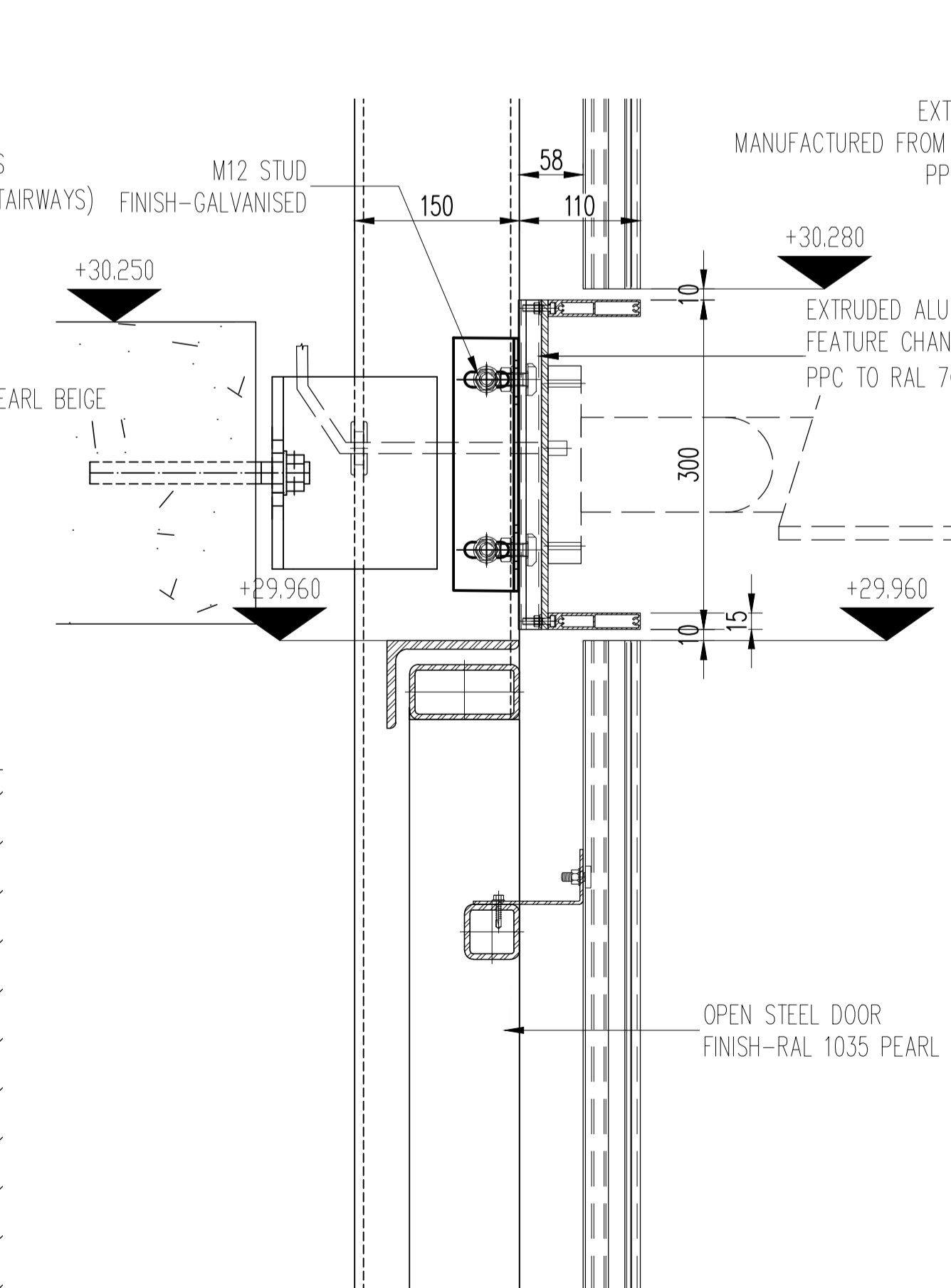
NOTE: LOUVRES, FEATURE CHANNEL, AND DOORS FINISHES TO MATCH APPROVED SAMPLES



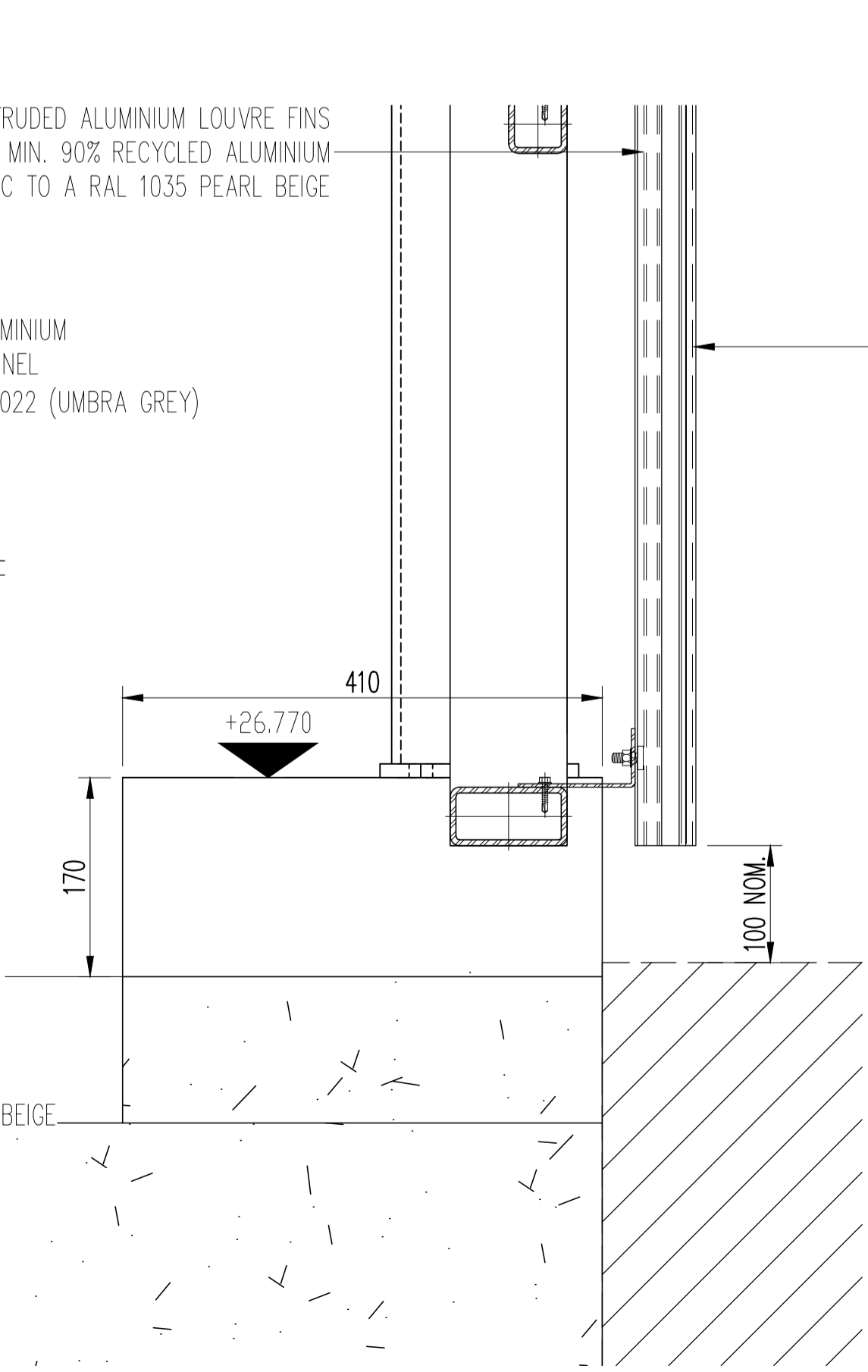
05 DOOR HEAD DETAIL
556 1:5



06 DOOR CILL DETAIL
556 1:5



07 DOOR WITH LOUVRE HEAD DETAIL
556 1:5



08 DOOR WITH LOUVRE CILL DETAIL
556 1:5

Note :-
This drawing must not be scaled. All dimensions and levels must be checked on site and any discrepancies reported to the designers prior to manufacture.
This drawing is the copyright of Emtec Products Ltd. It can be used only by this client and on this project as shown in the title block below.

03	COMMENTS INCORPORATED	29.08.19
02	COMMENTS INCORPORATED	12.06.19
01	COMMENTS INCORPORATED	01.05.19
00	ISSUED FOR APPROVAL	25.03.19
no.	issued	date

FOR CONSTRUCTION

EMTEC
EMTEC PRODUCTS LTD
Unit L, Turn Pike Way, Cressex Industrial Estate High Wycombe, Buckinghamshire, HP12 3FT
TEL: 020 8848 3031 www.emtecproducts.co.uk

S-1 BUILDING LOUVRE SCREEN
DETAILS SHEET-1

Project
KINGS CROSS T-ZONE

Client
STRUCTURAL STAIRWAYS

File no.	Date	Works No.	Quality level
QF9377	17.03.19	PF	1
Scale	Drawn By	Design Auth	Approved
AS NOTED	E.A	E.A	S.E

Drawing number	Rev
KXC-T2-001-Y-SSL-28-556	03