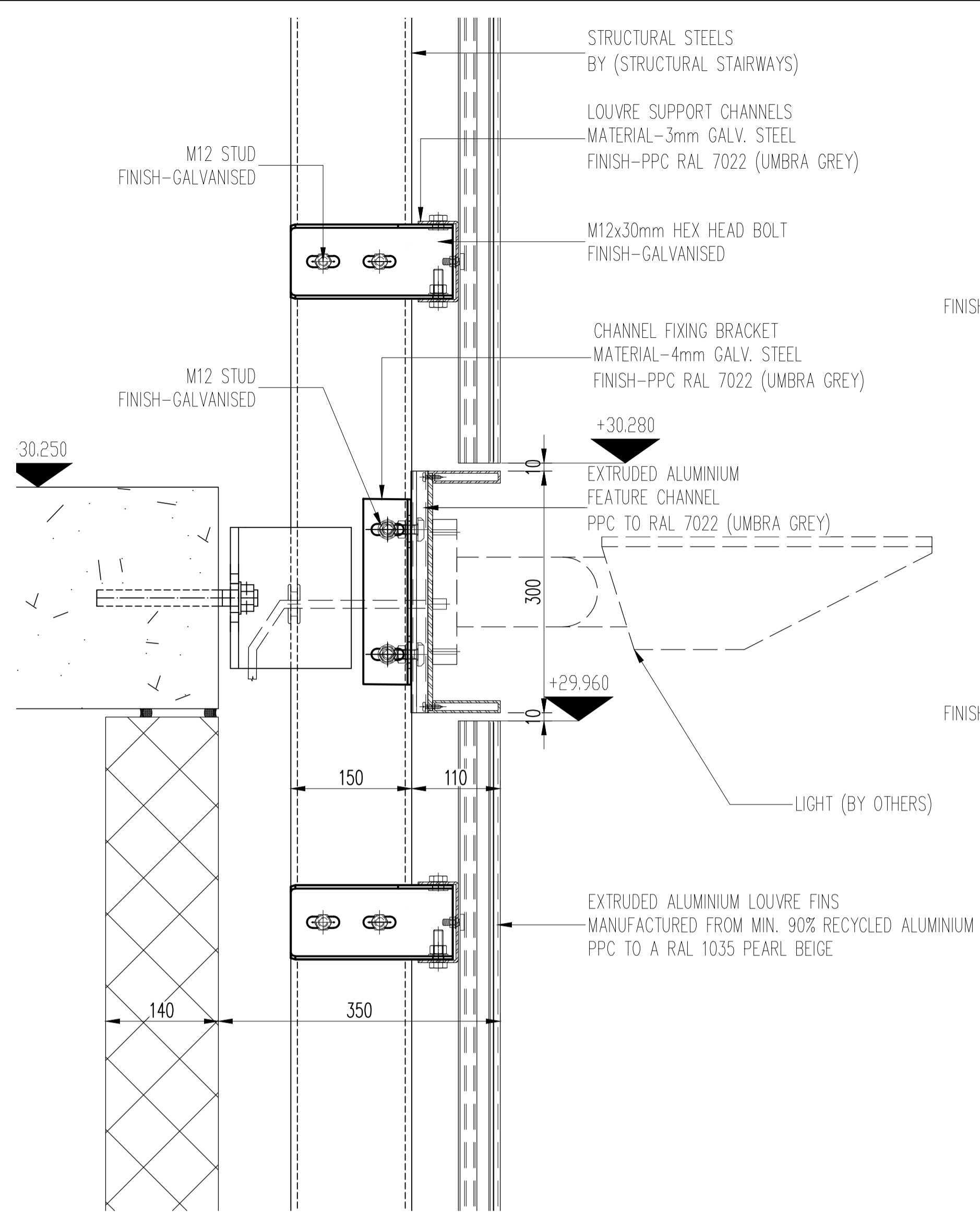
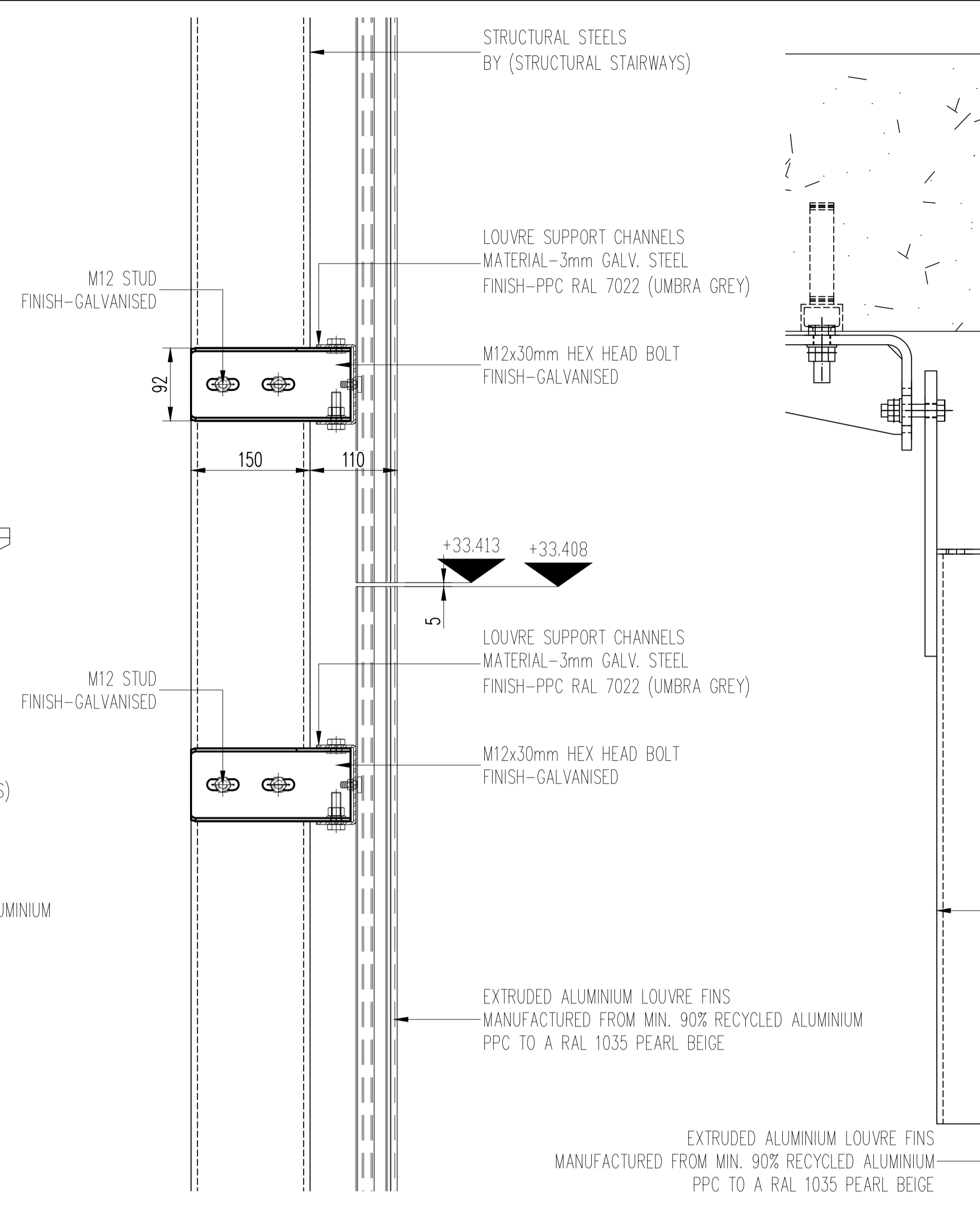


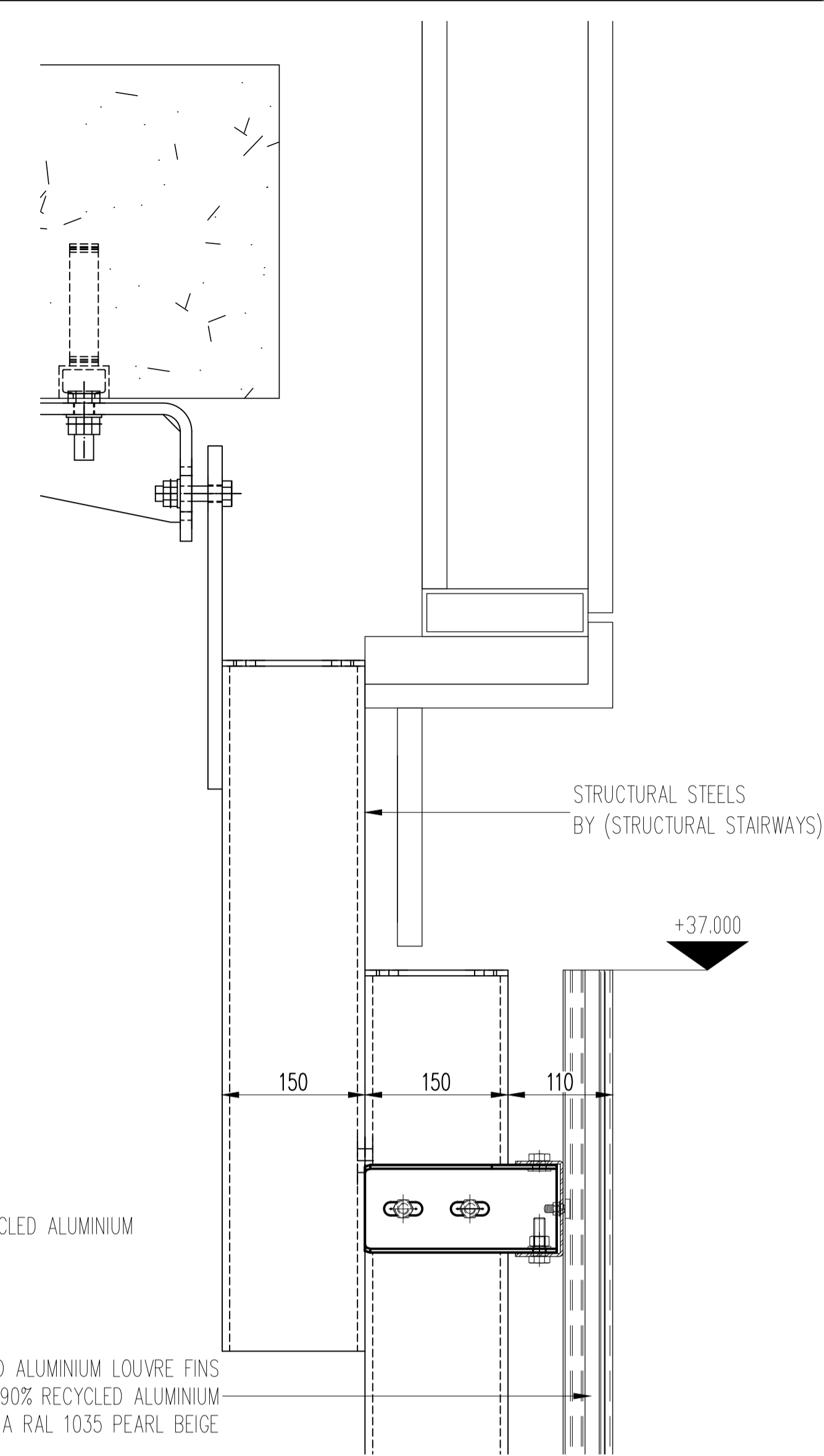
01 DRY RISER DETAILS
556 1:5



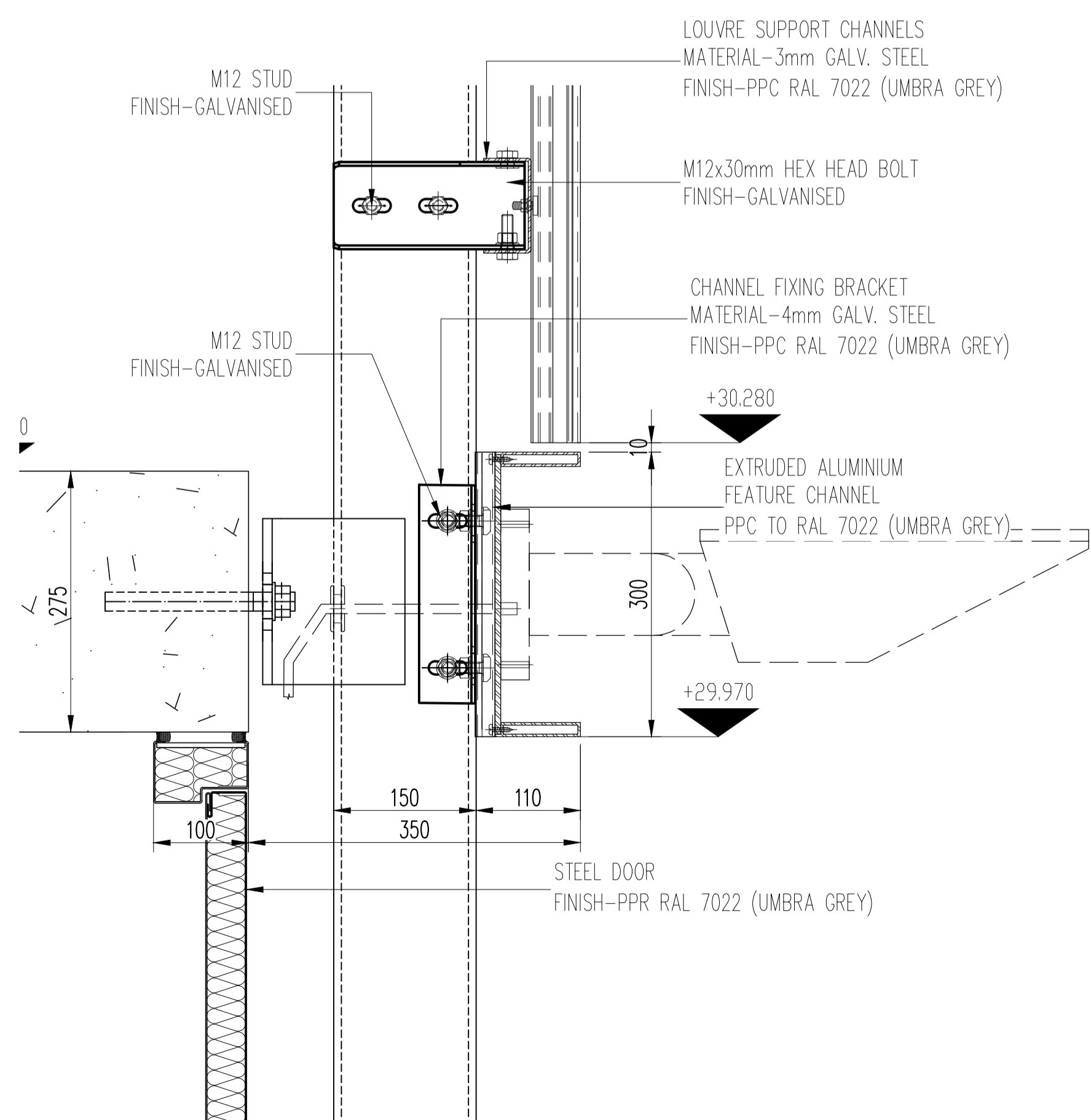
02 FEATURE CHANNEL DETAIL
556 1:5



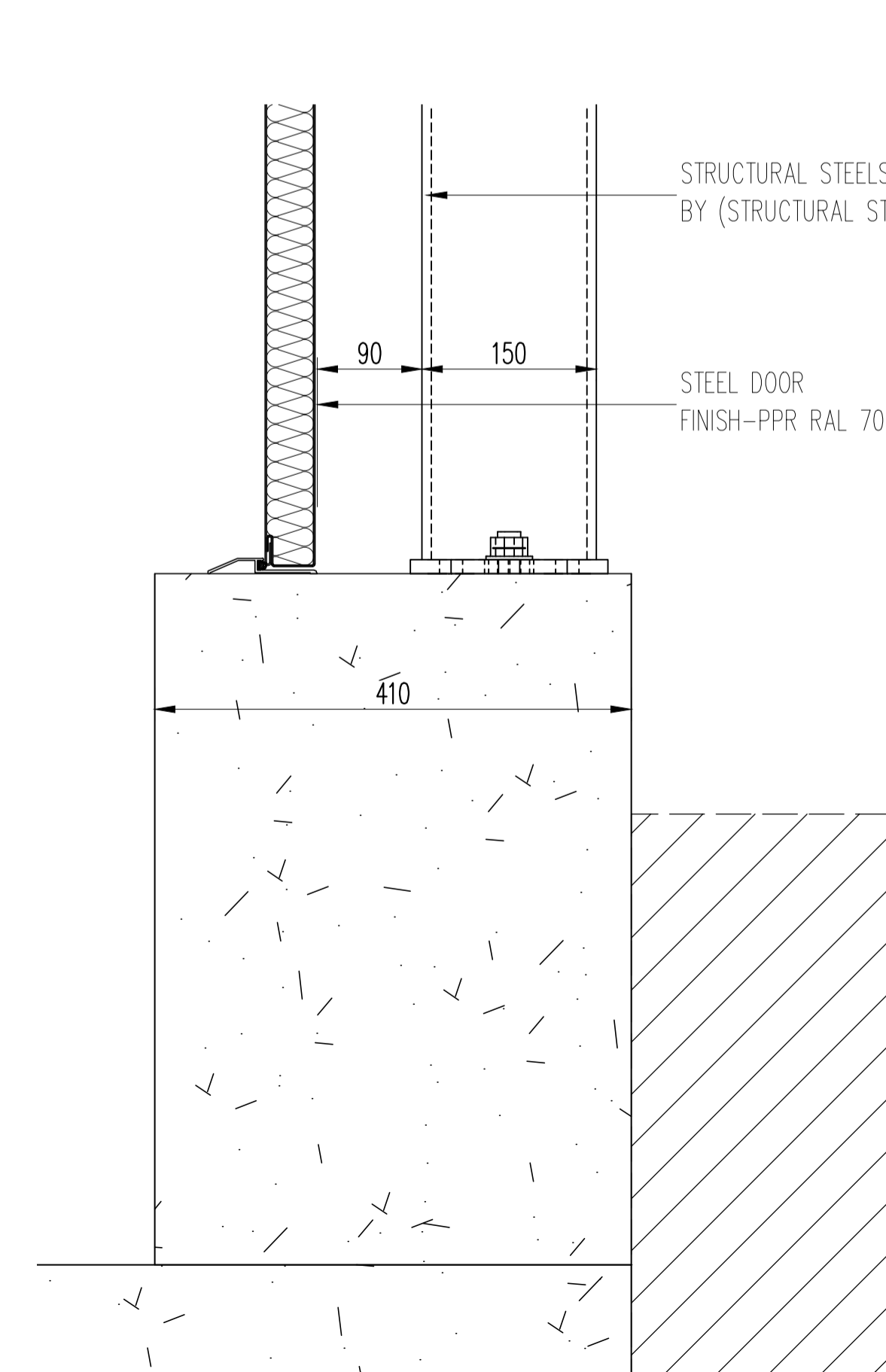
03 BLADES STACK JOINT DETAIL
556 1:5



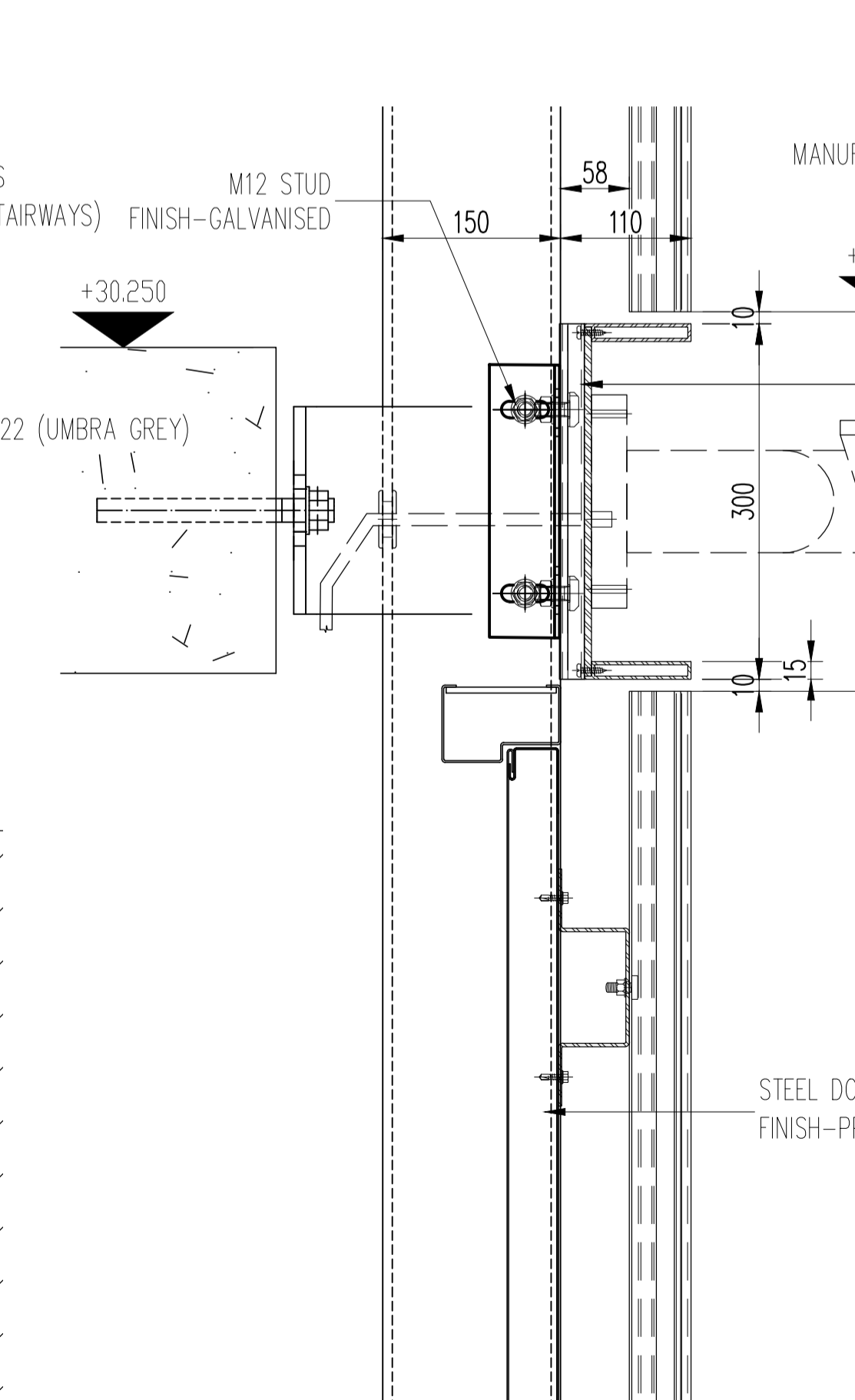
04 LOUVRE SCREEN HEAD DETAIL
556 1:5



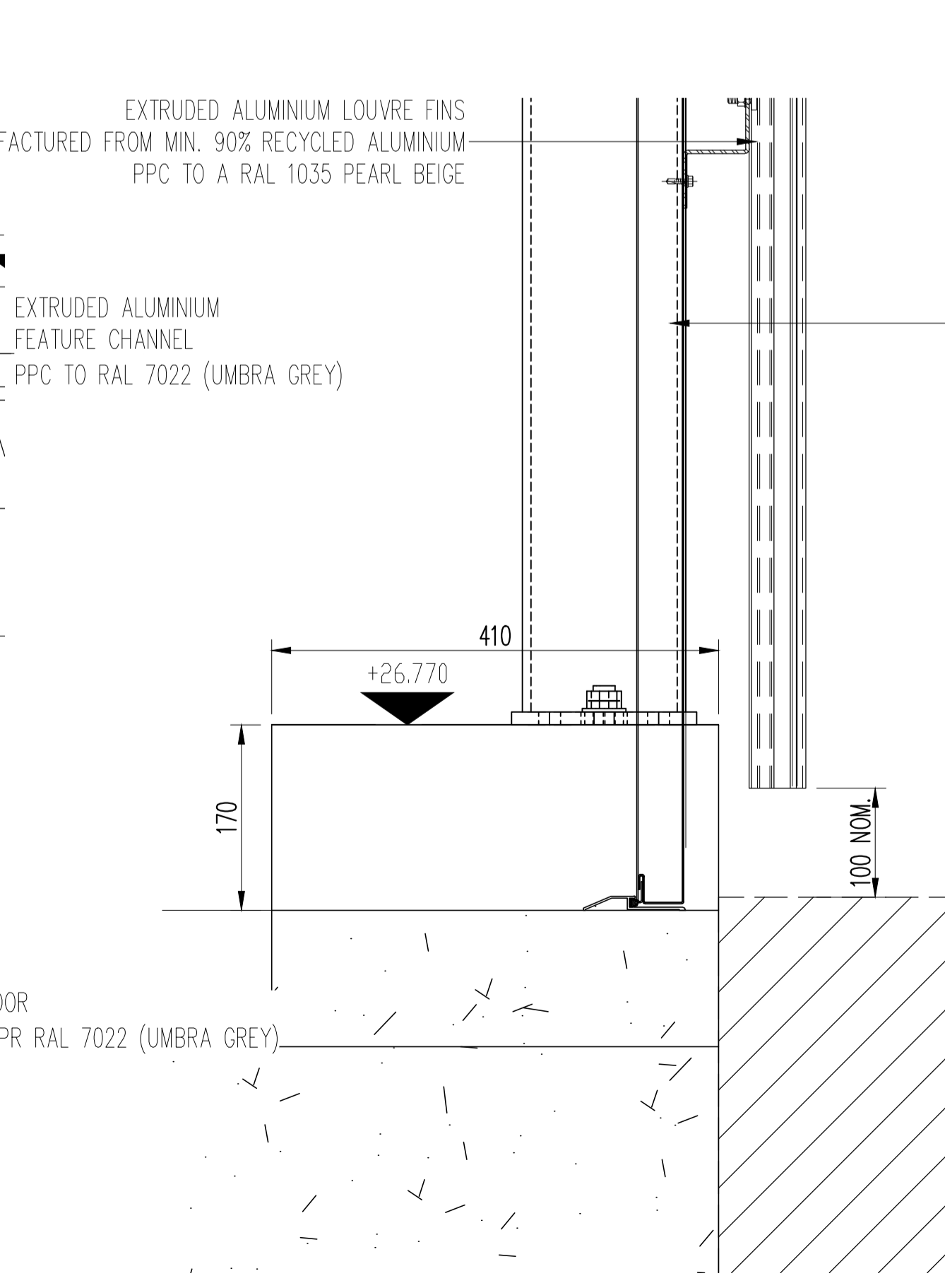
05 DOOR HEAD DETAIL
556 1:5



06 DOOR CILL DETAIL
556 1:5



07 DOOR WITH LOUVRE HEAD DETAIL
556 1:5



08 DOOR WITH LOUVRE CILL DETAIL
556 1:5

Note :-
This drawing must not be scaled. All dimensions and levels must be checked on site and any discrepancies reported to the designers prior to manufacture.
This drawing is the copyright of Emtec Products Ltd. It can be used only by this client and on this project as shown in the title block below.

| | | |
|-----|---------------------|----------|
| 00 | ISSUED FOR APPROVAL | 25.03.19 |
| no. | issued | date |

FOR APPROVAL

EMTEC
EMTEC PRODUCTS LTD
Unit L, Turn Pike Way, Cressex Industrial Estate High Wycombe, Buckinghamshire, HP12 3FT
TEL: 020 8848 3031 www.emtecproducts.co.uk

Drawing Title
S-1 BUILDING LOUVRE SCREEN
DETAILS SHEET-1

Project
KINGS CROSS T-ZONE

Client
STRUCTURAL STAIRWAYS

| File no. | Date | Works No. | Quality level |
|----------|----------|-------------|---------------|
| QF9377 | 17.03.19 | PF | 1 |
| Scale | Drawn By | Design Auth | Approved |
| AS NOTED | E.A | E.A | S.E |

| Drawing number | Rev |
|-------------------------|-----|
| KXC-T2-001-Y-SSL-28-556 | 00 |