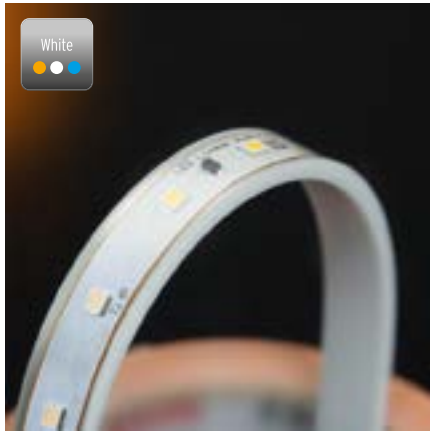


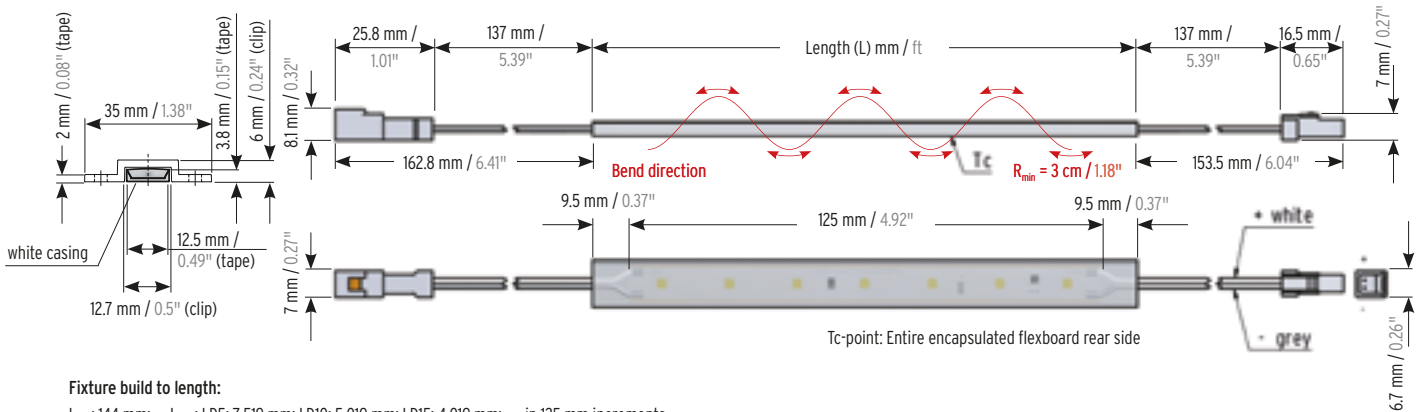
VarioLED™ Flex HYDRA LD White IP67



! CRI up to 95
! up to 147 Lumen/Watt

- ▶ up to 15 W/m / 4.6 W/ft
- ▶ up to 1,880 lm/m / 572 lm/ft
- ▶ One Bin Only: 3 MacAdam
- ▶ up to CRI 95

Dimensions & available lengths



Fixture build to length:

L_{min}: 144 mm; L_{max}: LD5: 7,519 mm; LD10: 5,019 mm; LD15: 4,019 mm; in 125 mm increments
L_{min}: 5.67"; L_{max}: LD5: 24.67"; LD10: 16.47"; LD15: 13.19"; in 4.92" increments

Electrical & output data

Step length	7 LEDs per 125 mm / 4.9"
Voltage	24 Volt (23 V _{min} , 25 V _{max})
Temperature ⁸	T _{Cmin} = -25°C / -13°F, T _{Cmax} = 70°C / 158°F
Storage temperature	T _{Smin} = -30°C / -22°F, T _{Smax} = 85°C / 185°F
Ambient temperature	T _{Amin} = -25°C / -13°F, T _{Amax} = 50°C / 122°F

VarioLED™ Flex HYDRA	LD5	LD10	LD15
Power (W/m / W/ft) ^A	5 / 1.5	10 / 3.1	15 / 4.6
Efficacy (lm/W) ^A @ W850	138	138	147
CRI / R9 @ W930	95 / 65	85 / 25	85 / 25
max. serial run length (m / ft)	7.5 / 24.6	5 / 16.4	4 / 13.1
Current	1.5 A/25 mA per Step	1.5 A/25 mA per Step	1.5 A/25 mA per Step

ONE BIN ONLY

Lifetime: L80/B10 > 60,000 h

Photometric code: Wxxx/339

LM 79 compliant

LM 80 compliant

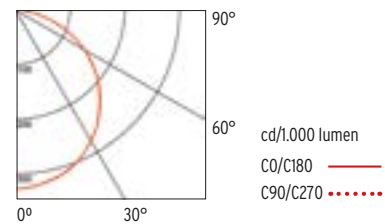
UV protected

Resistant to solvents

Saltwater resistant

Temporary immersion protection

Color temperature LED tape used	Final color temperature delivered for finished fixture	LD5			LD10			LD15		
		low output	high output	low output	high output	low output	high output			
		lumen/meter (lm/m) ^A lumen/feet (lm/ft) ^A								
● W820 2,000 K	2,500 K	340 / 103	680 / 206	340 / 103	680 / 206	1,090 / 331	1,090 / 331	1,090 / 331	1,090 / 331	
● W822 2,200 K	2,900 K	390 / 118	780 / 237	390 / 118	780 / 237	1,250 / 380	1,250 / 380	1,250 / 380	1,250 / 380	
● W825 2,500 K	3,300 K	450 / 136	890 / 270	450 / 136	890 / 270	1,430 / 435	1,430 / 435	1,430 / 435	1,430 / 435	
● W827 W927 2,700 K	3,800 K 3,600 K	400 / 121	950 / 289	400 / 121	950 / 289	1,510 / 459	1,510 / 459	1,510 / 459	1,510 / 459	
● W830 W930 3,000 K	4,300 K 4,300 K	400 / 121	1,000 / 304	400 / 121	1,000 / 304	1,600 / 487	1,600 / 487	1,600 / 487	1,600 / 487	
● W835 W935 3,500 K	5,100 K 4,900 K	420 / 127	1,050 / 319	420 / 127	1,050 / 319	1,690 / 514	1,690 / 514	1,690 / 514	1,690 / 514	
● W840 W940 4,000 K	6,100 K 6,600 K	430 / 130	1,080 / 328	430 / 130	1,080 / 328	1,720 / 523	1,720 / 523	1,720 / 523	1,720 / 523	
● W850 5,000 K	9,600 K	590 / 179	1,180 / 359	590 / 179	1,180 / 359	1,880 / 572	1,880 / 572	1,880 / 572	1,880 / 572	



^A The given data are typical values. Due to tolerances of the production process and the electrical components, values for light output and electrical power can vary up to 10%.

⁸ The position of the Tc-point is marked on each step of the LED strip. The Tc-point should be measured in thermal equilibrium according to IEC EN 60598-1.