

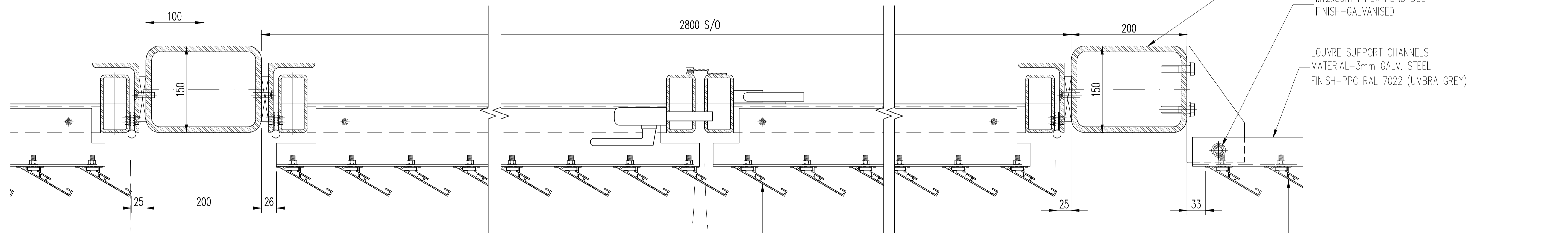
01 DOOR 00-40-ED01 HORIZONTAL SECTION
1:4

OPEN STEEL DOOR WITH ALUMINIUM LOUVRE FIN IN FRONT
STEEL DOOR
FINISH-RAL 1035 PEARL BEIGE

EXTRUDED ALUMINIUM LOUVRE FIN
MANUFACTURED FROM MIN. 90% RECYCLED ALUMINIUM
PPC TO A RAL 1035 PEARL BEIGE

21

FOR STEEL AND OPEN LOUVRED
DOORS DETAILS REFER TO DRAWING
KXC-T2-001-Y-SSL-28-562
KXC-T2-001-Y-SSL-28-563



02 DOOR 00-40-ED02 HORIZONTAL SECTION
1:4

OPEN STEEL DOOR WITH ALUMINIUM LOUVRE FIN IN FRONT
STEEL DOOR
FINISH-RAL 1035 PEARL BEIGE

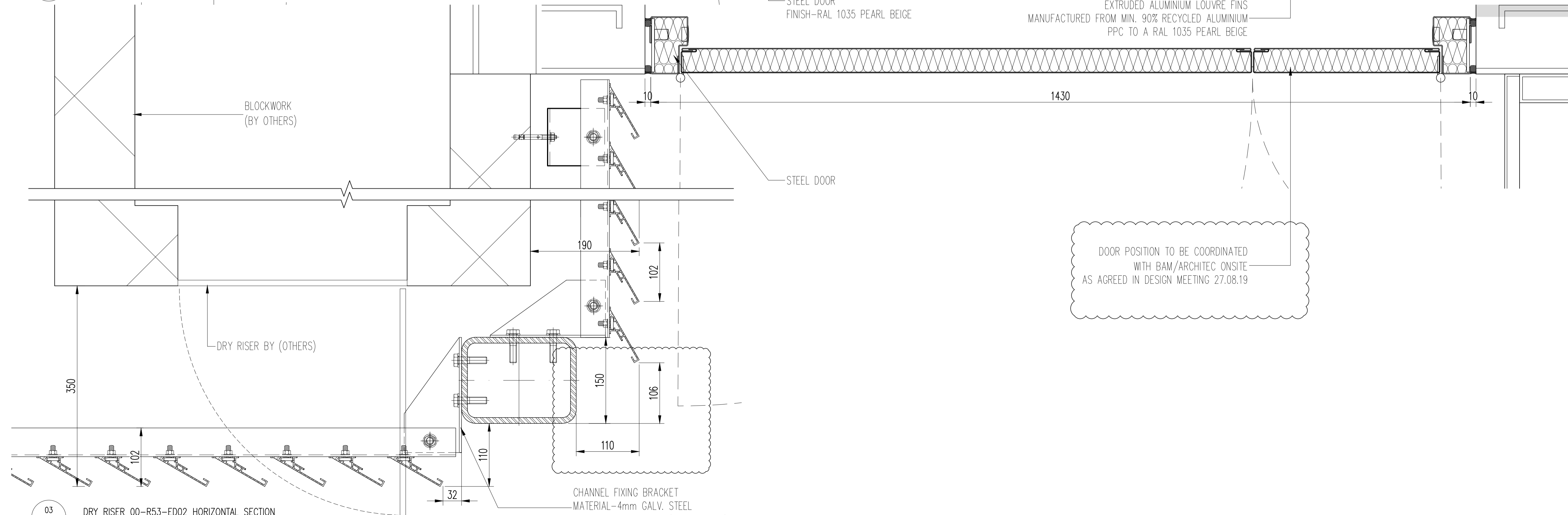
EXTRUDED ALUMINIUM LOUVRE FIN
MANUFACTURED FROM MIN. 90% RECYCLED ALUMINIUM
PPC TO A RAL 1035 PEARL BEIGE

BLOCKWORK
(BY OTHERS)

STEEL DOOR

DOOR POSITION TO BE COORDINATED
WITH BAM/ARCHITEC ONSITE
AS AGREED IN DESIGN MEETING 27.08.19

DRY RISER BY (OTHERS)



03 DRY RISER 00-R53-ED02 HORIZONTAL SECTION
1:4

CHANNEL FIXING BRACKET
MATERIAL-4mm GALV. STEEL
FINISH-PPC RAL 7022 (UMBRA GREY)

NOTE: LOUVRES, FEATURE CHANNEL,
AND DOORS FINISHES
TO MATCH APPROVED SAMPLES

Note :-
This drawing must not be scaled. All dimensions and levels must be checked on site and any discrepancies reported to the designers prior to manufacture.
This drawing is the copyright of Emtec Products Ltd. It can be used only by this client and on this project as shown in the title block below.

01	COMMENTS INCORPORATED	29.08.19
00	ISSUED FOR APPROVAL	02.07.19
no.	issued	date

FOR APPROVAL



EMTEC PRODUCTS LTD

Unit 1, Turn Pike Way, Cressex Industrial Estate High Wycombe,
Buckinghamshire, HP12 3FT
TEL: 020 8848 3031 www.emtecprouducts.co.uk

Drawing Title
N-2 BUILDING LOUVRE SCREEN
HORIZONTAL SECTIONS
SHEET-3

Project
KINGS CROSS T-ZONE

Client
STRUCTURAL STAIRWAYS

File no.	Date	Works No.	Quality level
QF9377	02.07.19	PF	1

Scale	Drawn By	Design Auth	Approved
AS NOTED	E.A	E.A	S.E

Drawing number	Rev
KXC-T2-001-Y-SSL-28-593	01