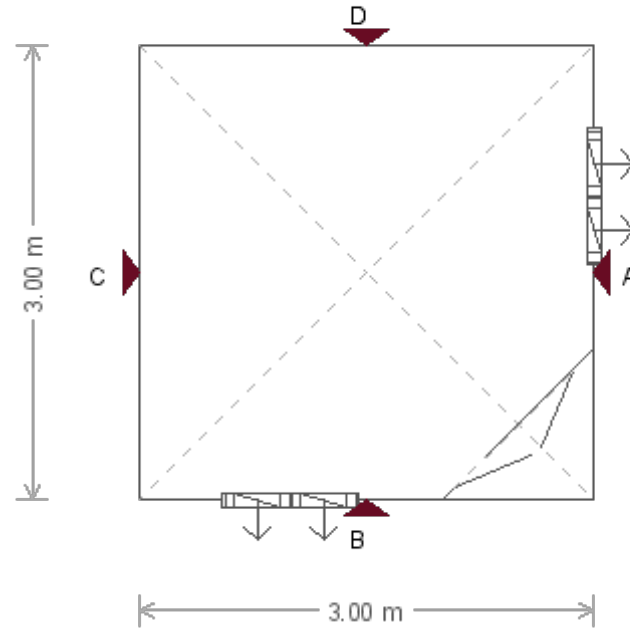
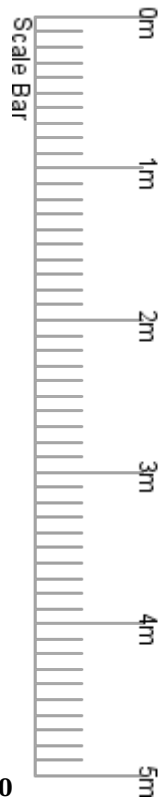


Scale 1:50

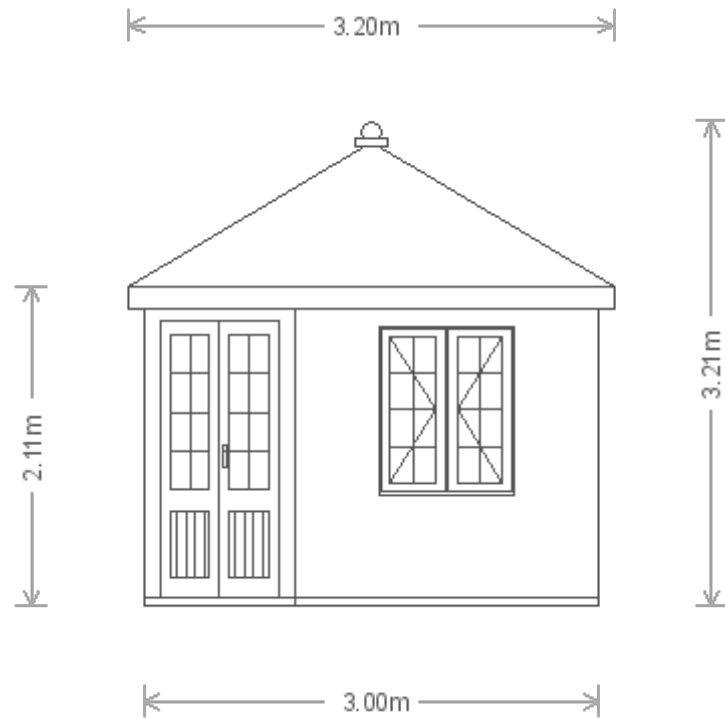


| | | | | |
|-------------------------|-------------------------------------|----------------------|----------------------|----------------------------|
| Customer Name | Miss Addy Alani | Building | 3.0 x 3.0m Weybourne | |
| Customer Address | 94 Albert Street London, NW1 7NE | Drawing Date | 25th September 2019 | |
| | | Drawing Title | Plan View | Sheet 1/[pagetotal] |



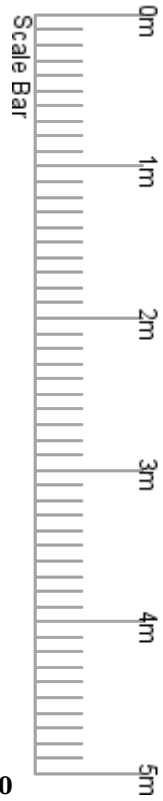


Scale 1:50

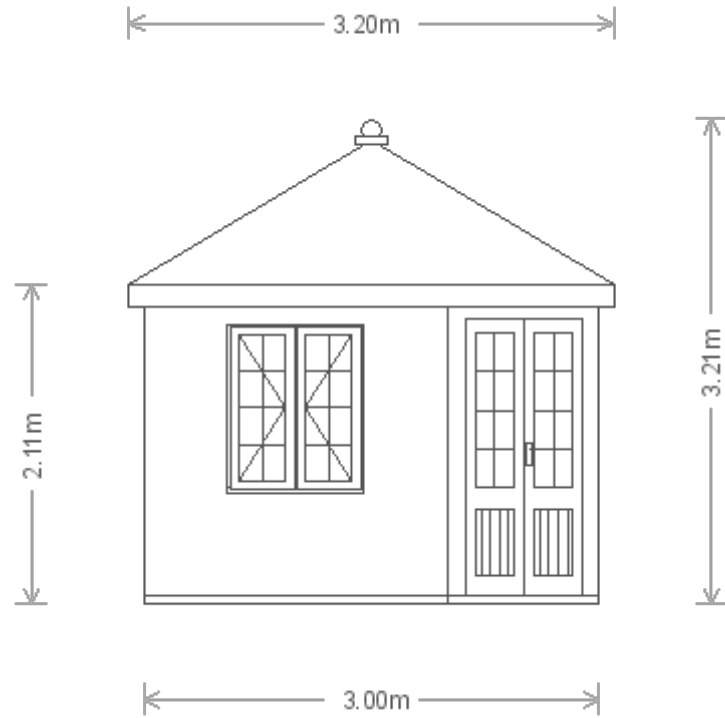


| | | | | |
|-------------------------|-------------------------------------|----------------------|----------------------|----------------------------|
| Customer Name | Miss Addy Alani | Building | 3.0 x 3.0m Weybourne | |
| Customer Address | 94 Albert Street London, NW1 7NE | Drawing Date | 25th September 2019 | |
| | | Drawing Title | Elevation A View | Sheet 2/[pagetotal] |

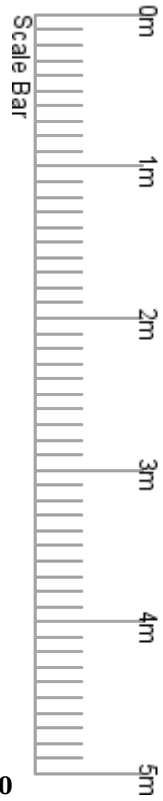




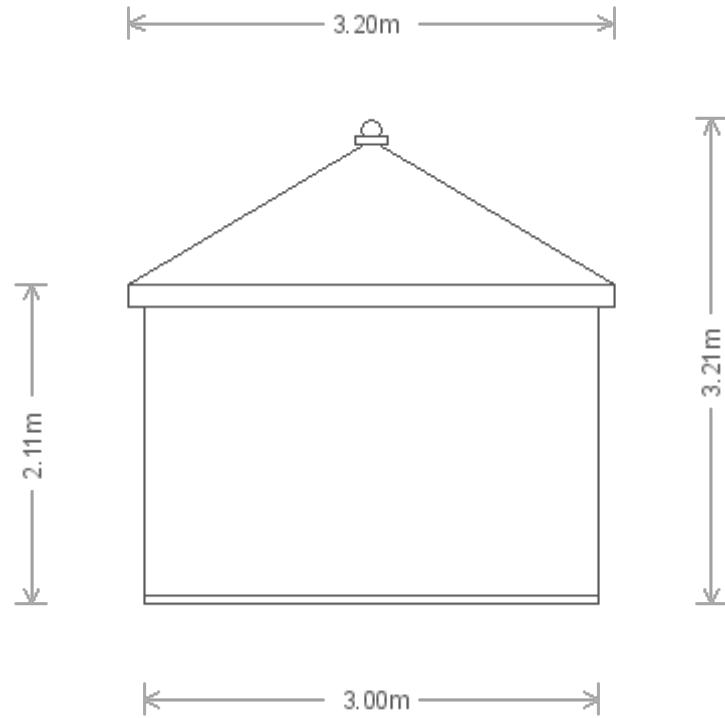
Scale 1:50



| | | | | |
|-------------------------|-------------------------------------|----------------------|----------------------|----------------------------|
| Customer Name | Miss Addy Alani | Building | 3.0 x 3.0m Weybourne | |
| Customer Address | 94 Albert Street London, NW1 7NE | Drawing Date | 25th September 2019 | |
| | | Drawing Title | Elevation B View | Sheet 3/[pagetotal] |

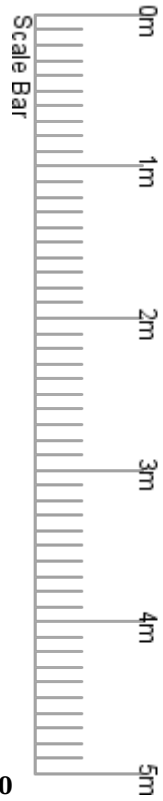


Scale 1:50

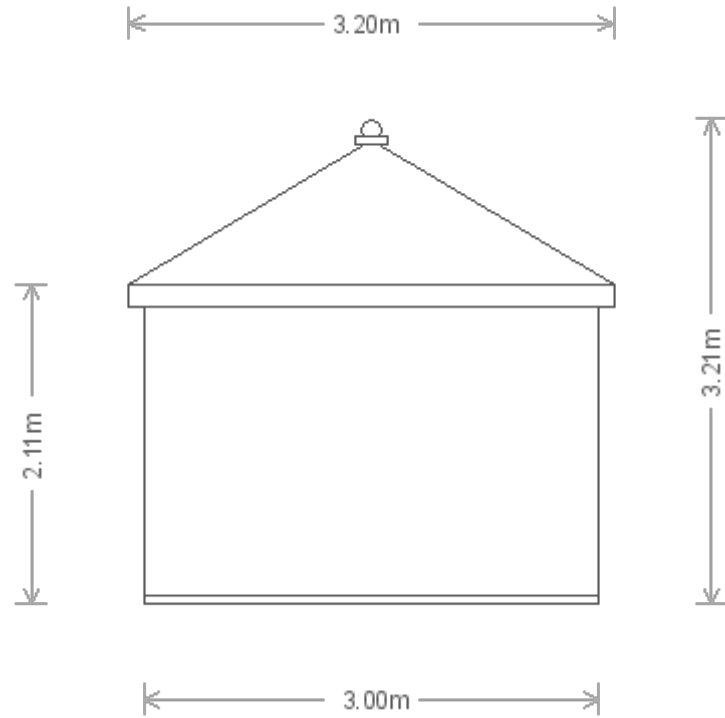


| | | | | |
|-------------------------|-------------------------------------|----------------------|----------------------|----------------------------|
| Customer Name | Miss Addy Alani | Building | 3.0 x 3.0m Weybourne | |
| Customer Address | 94 Albert Street London, NW1 7NE | Drawing Date | 25th September 2019 | |
| | | Drawing Title | Elevation C View | Sheet 4/[pagetotal] |





Scale 1:50




| | | | | |
|-------------------------|-------------------------------------|----------------------|----------------------|----------------------------|
| Customer Name | Miss Addy Alani | Building | 3.0 x 3.0m Weybourne | |
| Customer Address | 94 Albert Street London, NW1 7NE | Drawing Date | 25th September 2019 | |
| | | Drawing Title | Elevation D View | Sheet 5/[pagetotal] |



Details

Materials

- Cladding Material - Swedish Redwood Shiplap
- Roof Material - Cedar Shingles
- Door and Window Frame Material - Swedish Redwood
- Doors - Hemlock
- Building Colour - Pebble

| | | | | |
|-------------------------|-------------------------------------|----------------------|----------------------|---|
| Customer Name | Miss Addy Alani | Building | 3.0 x 3.0m Weybourne |  |
| Customer Address | 94 Albert Street London, NW1 7NE | Drawing Date | 25th September 2019 | |
| | | Drawing Title | Details | |