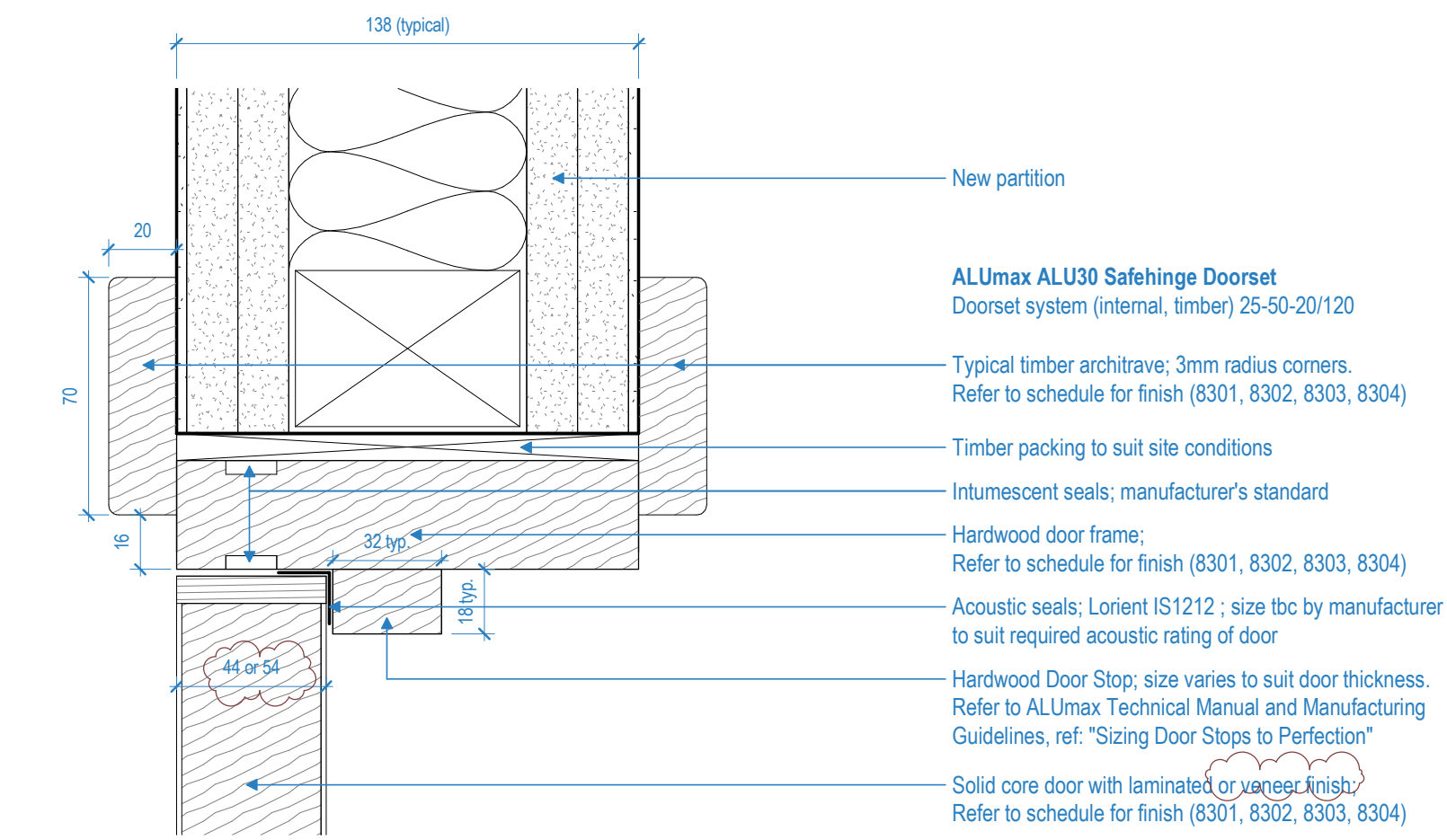
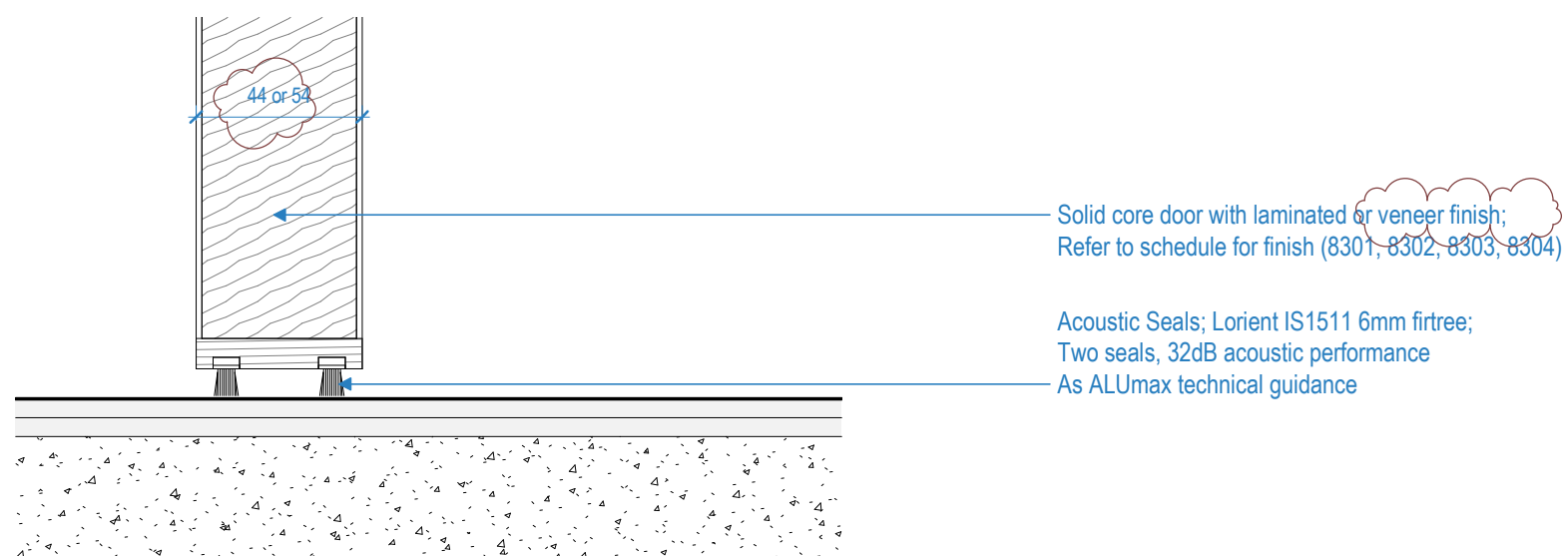


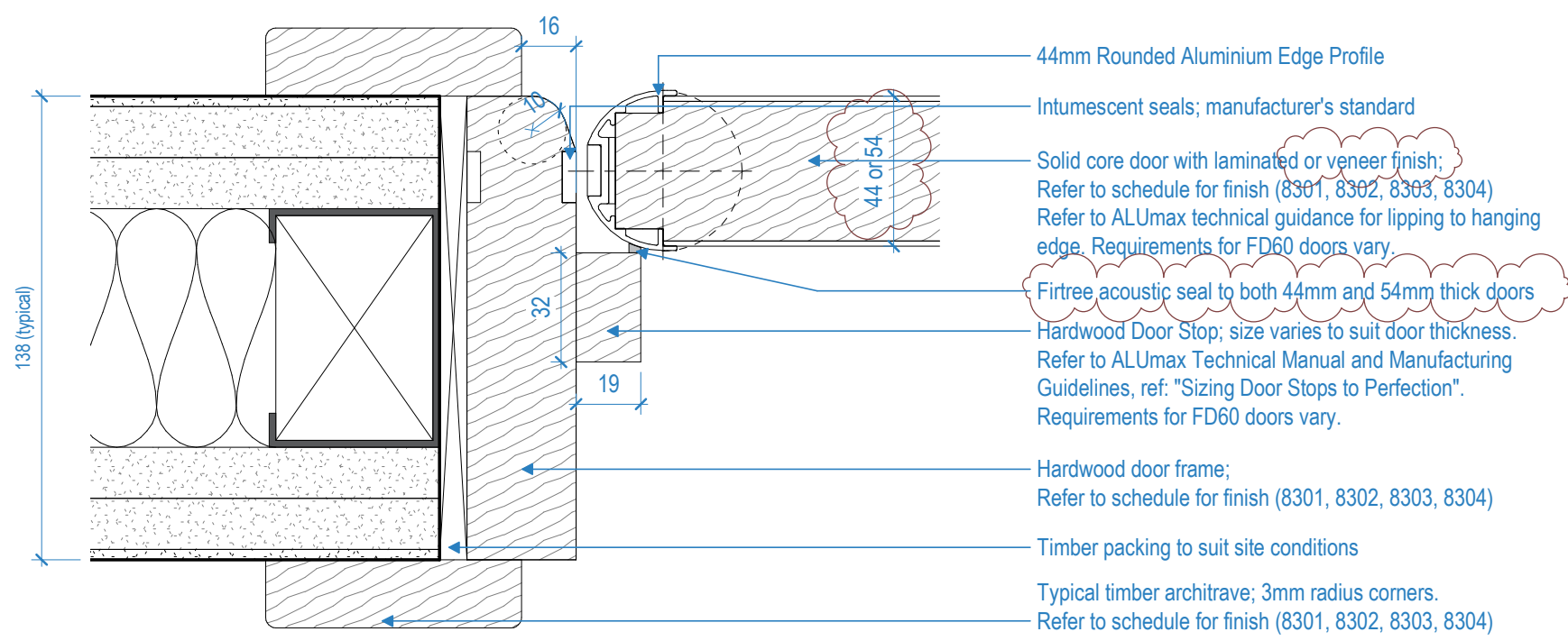
**Installation Type A**  
Doorset within New Metal Stud Partition



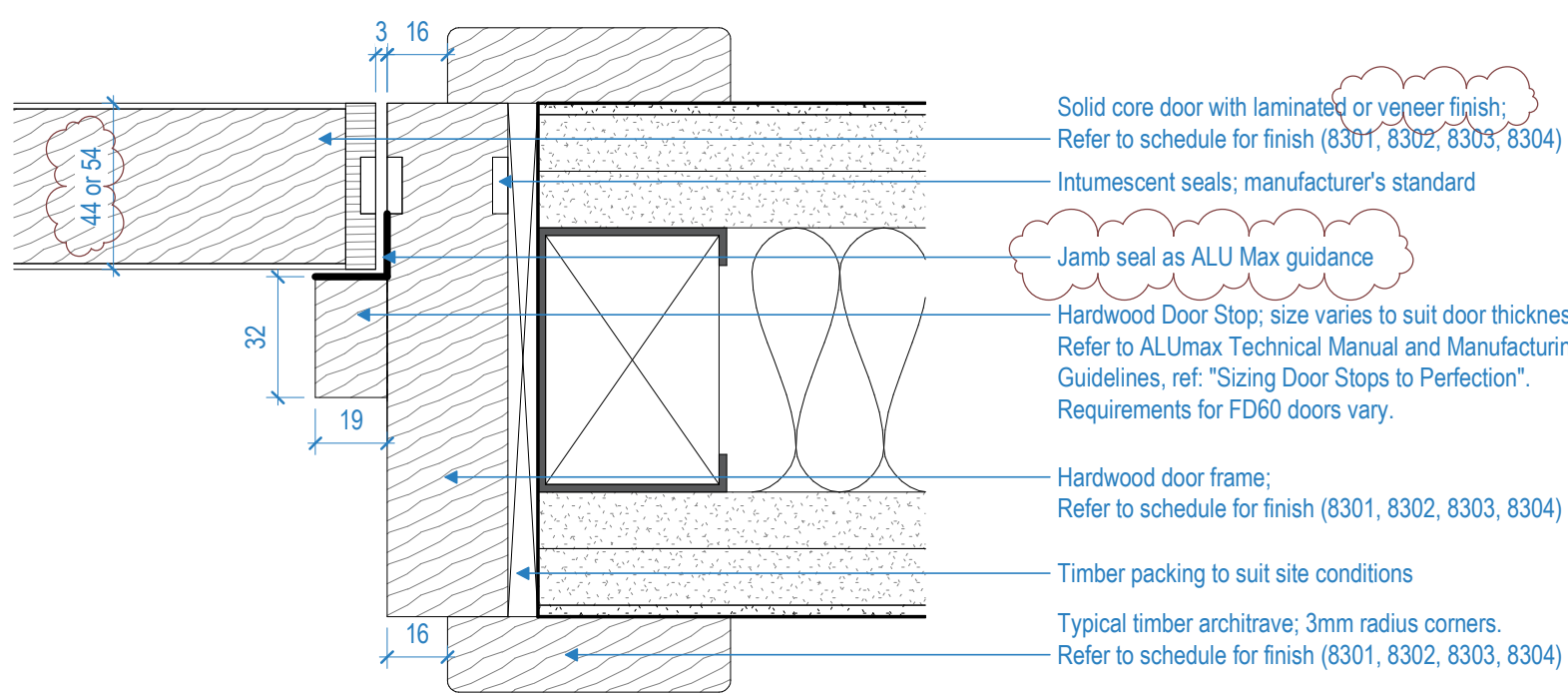
1 Typical Internal Door - Head Detail (A)  
1:2



2 Typical Internal Door - Base Detail (A)  
1:2

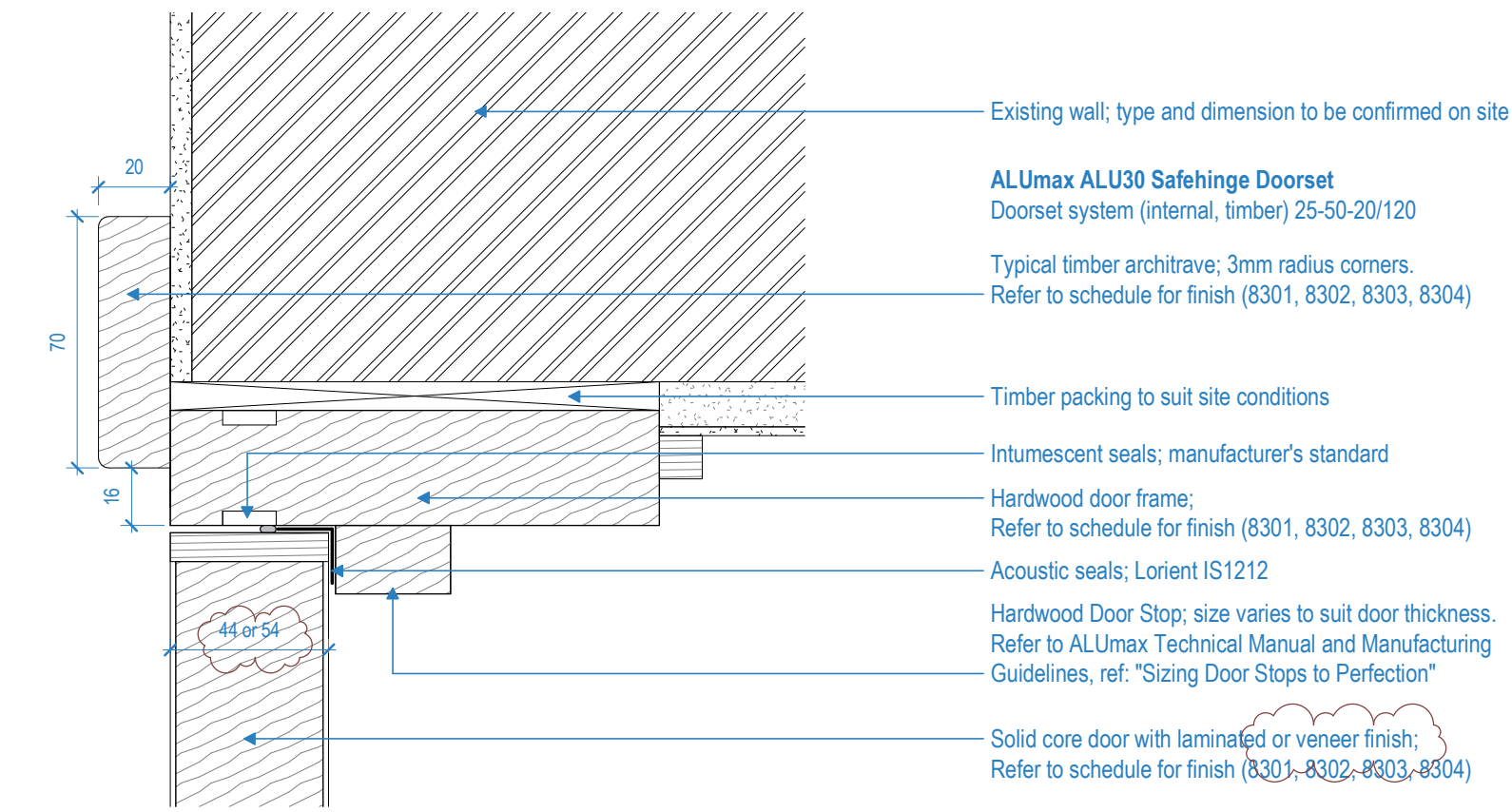


3 Typical Internal Door - Jamb Detail (LHS) (A)  
1:2

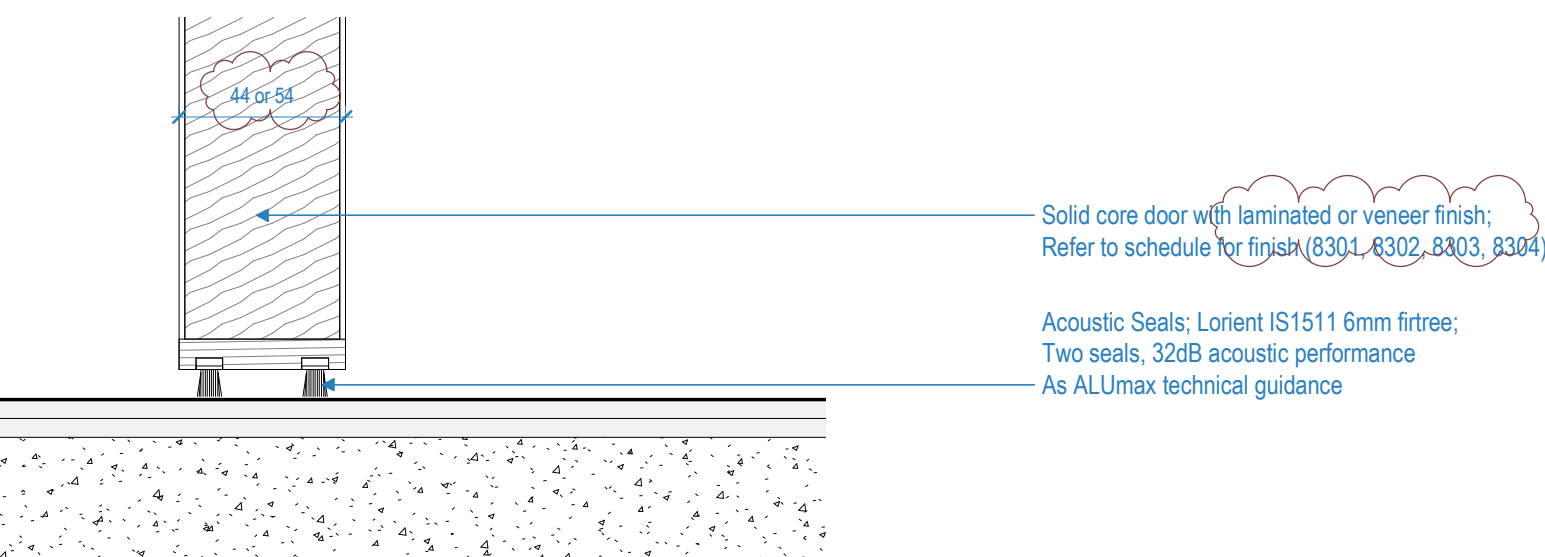


4 Typical Internal Door - Jamb Detail (RHS) (A)  
1:2

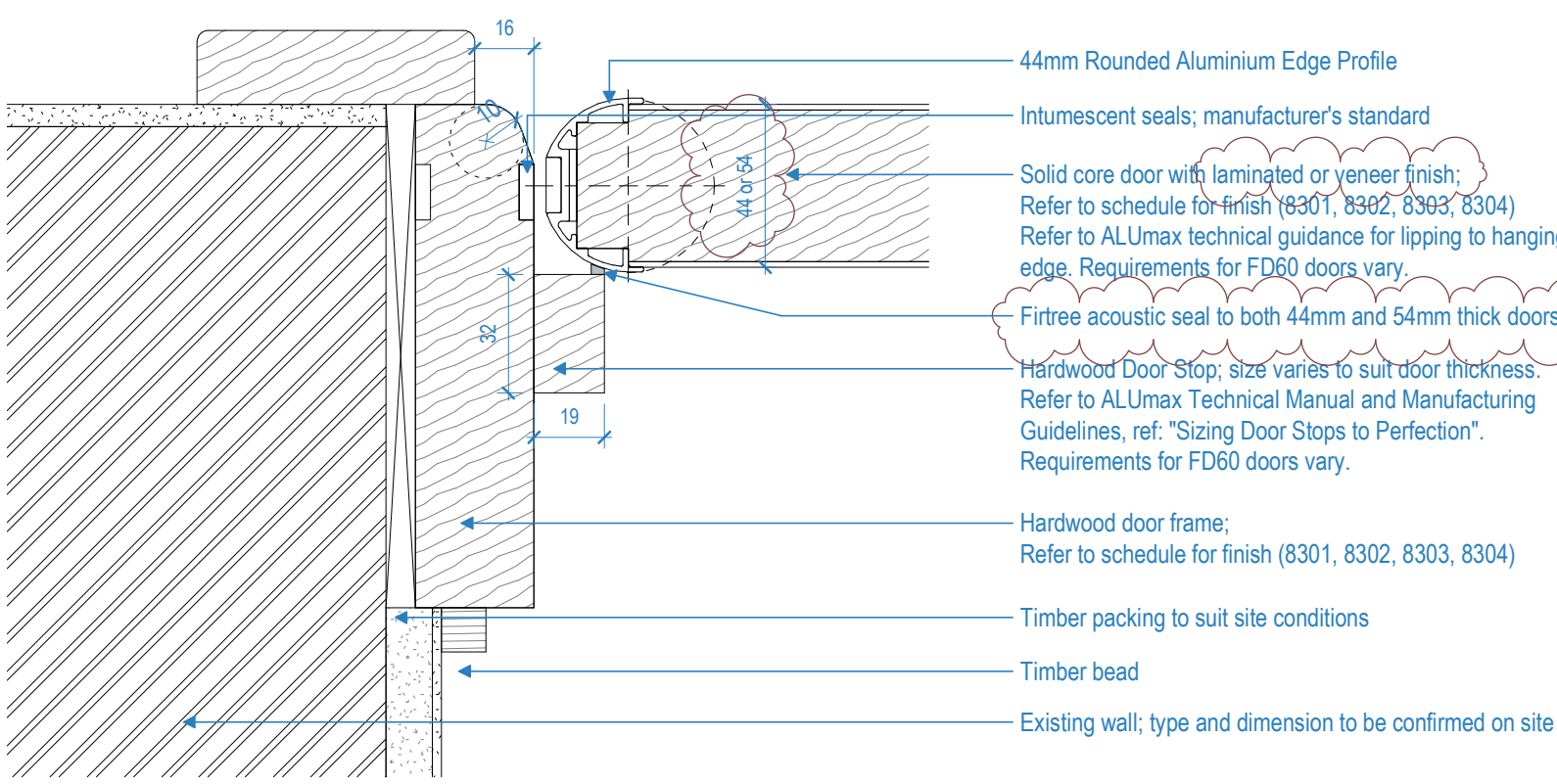
**Installation Type B**  
Doorset within Existing Opening



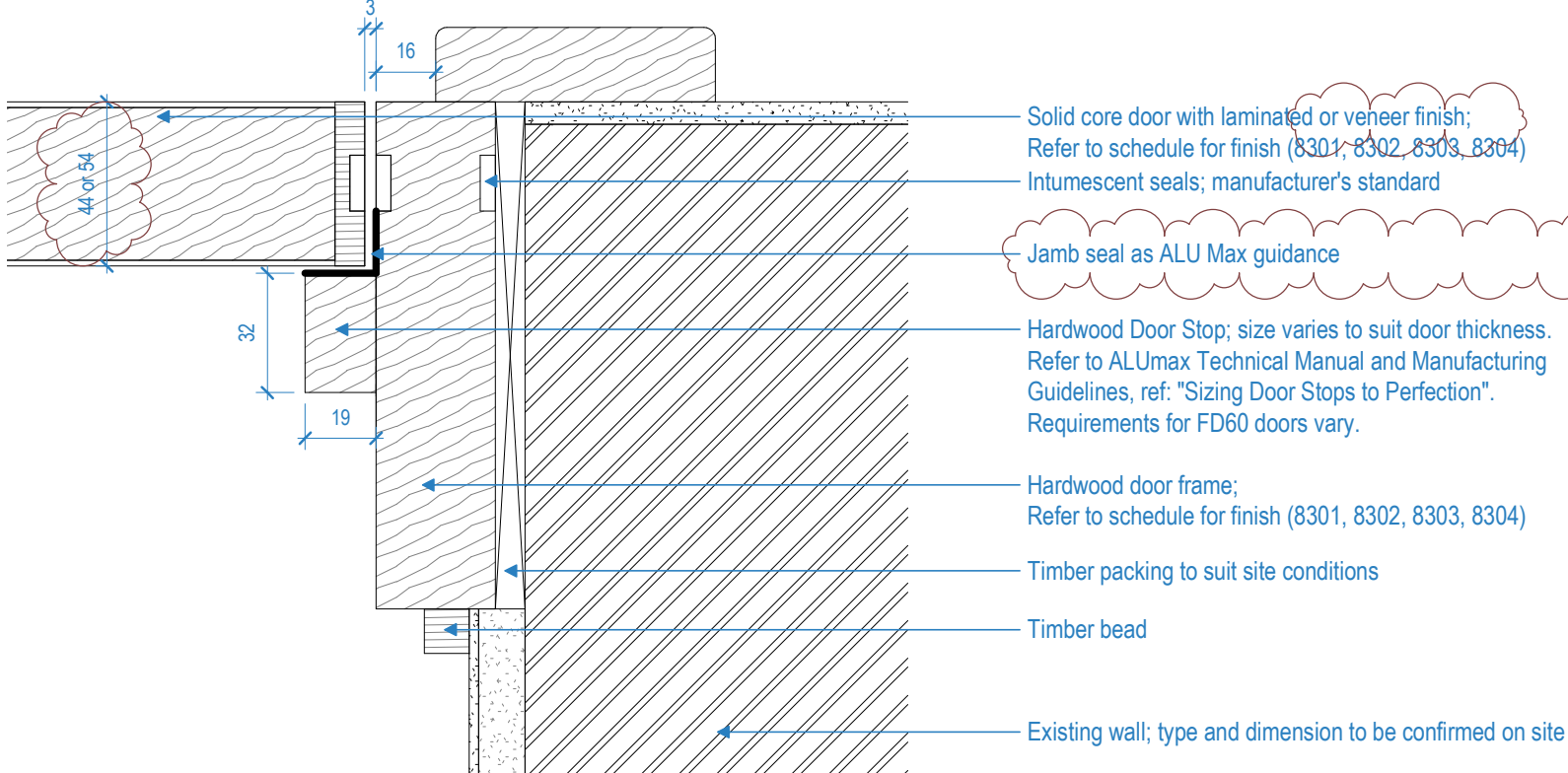
5 Typical Internal Door - Head Detail (B)  
1:2



6 Typical Internal Door - Base Detail (B)  
1:2

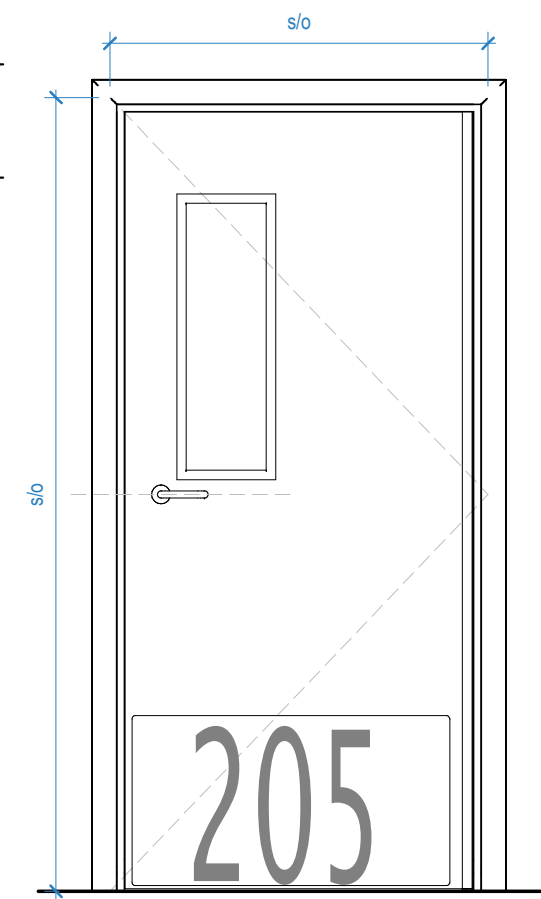
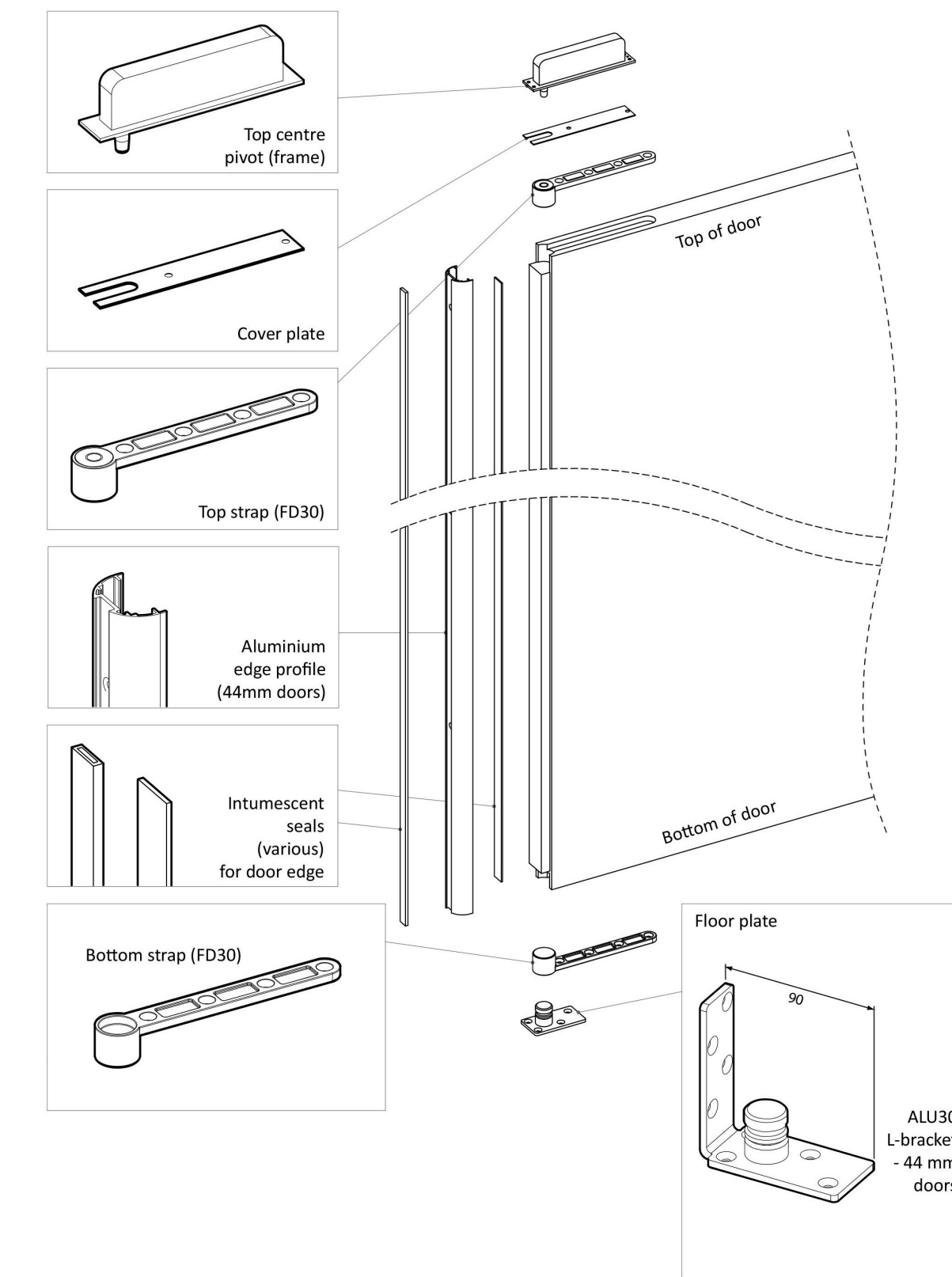


7 Typical Internal Door - Jamb Detail (LHS) (B)  
1:2



8 Typical Internal Door - Jamb Detail (RHS) (B)  
1:2

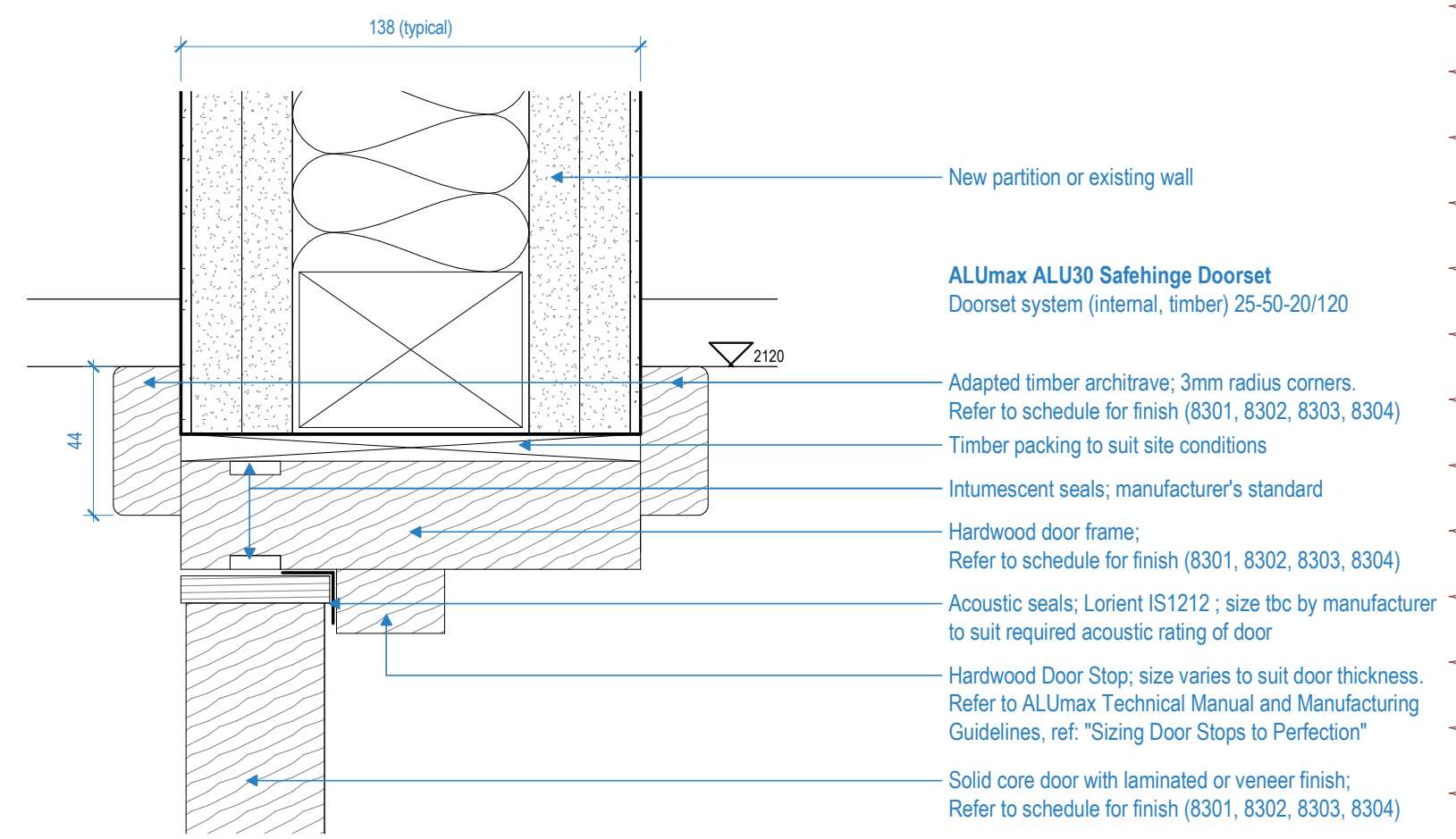
**ALUmax ALU30 Safehinge components**  
Refer to ALUmax Technical Manual and Manufacturing Guidelines; ALU30, p.7



Type A, B, C, D, F, J  
Internal Timber Doorsets

**Notes**  
1. Refer to 83 series for general notes

**Adapted Architrave For Low Ceilings**  
Refer to 24 / 27 series for locations



9 Typical Internal Door - Head Detail  
1:2

C1	22.10.18	Construction Issue - Door Package / LM / MJF	LM / MJF
A12	25.06.18	REVISED STAGE 4 ISSUE / LM / MJF	LM
A7	07.02.18	STAGE 4 SUBMISSION / LM	AML
P1	23.01.18	Draft Stage 4 Issue / JB	AML

Rev	Date	Details/ Amended by	Sign
-----	------	---------------------	------

**sonnemanntoon architects**

Quality House  
6-9 Quality Court  
Chancery Lane  
London WC2A 1HP  
United Kingdom

tel: +44 (0)20 7580 8881  
email: info@st-arch.co.uk  
web: www.st-arch.co.uk

© This drawing is copyright

Do not scale this drawing. Architect to be informed of all discrepancies in dimensions. Contractor to check all dimensions on site.

Project title  
**ITALIAN HOSPITAL**

Drawing title  
**DETAILS: DOORS**  
**Typical Internal Timber Doors**

Scale Status Revision  
1:2 @A1 CONSTR. C1

Drawing number  
**1615-ST-Q1-XX-DR-A-5350**

