

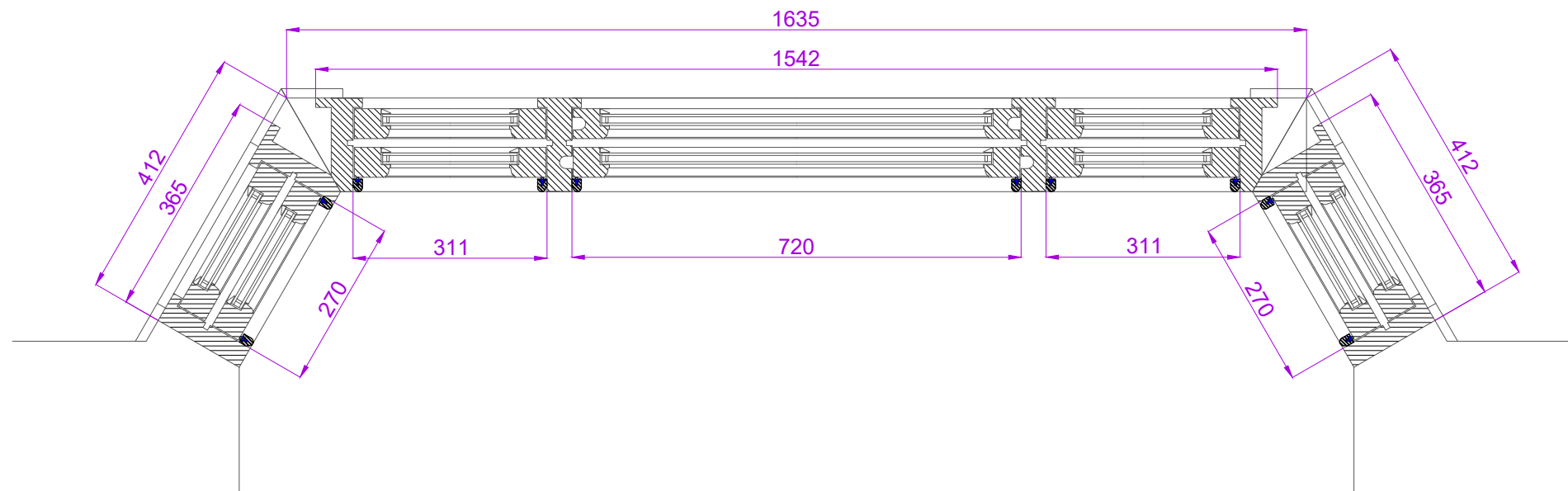
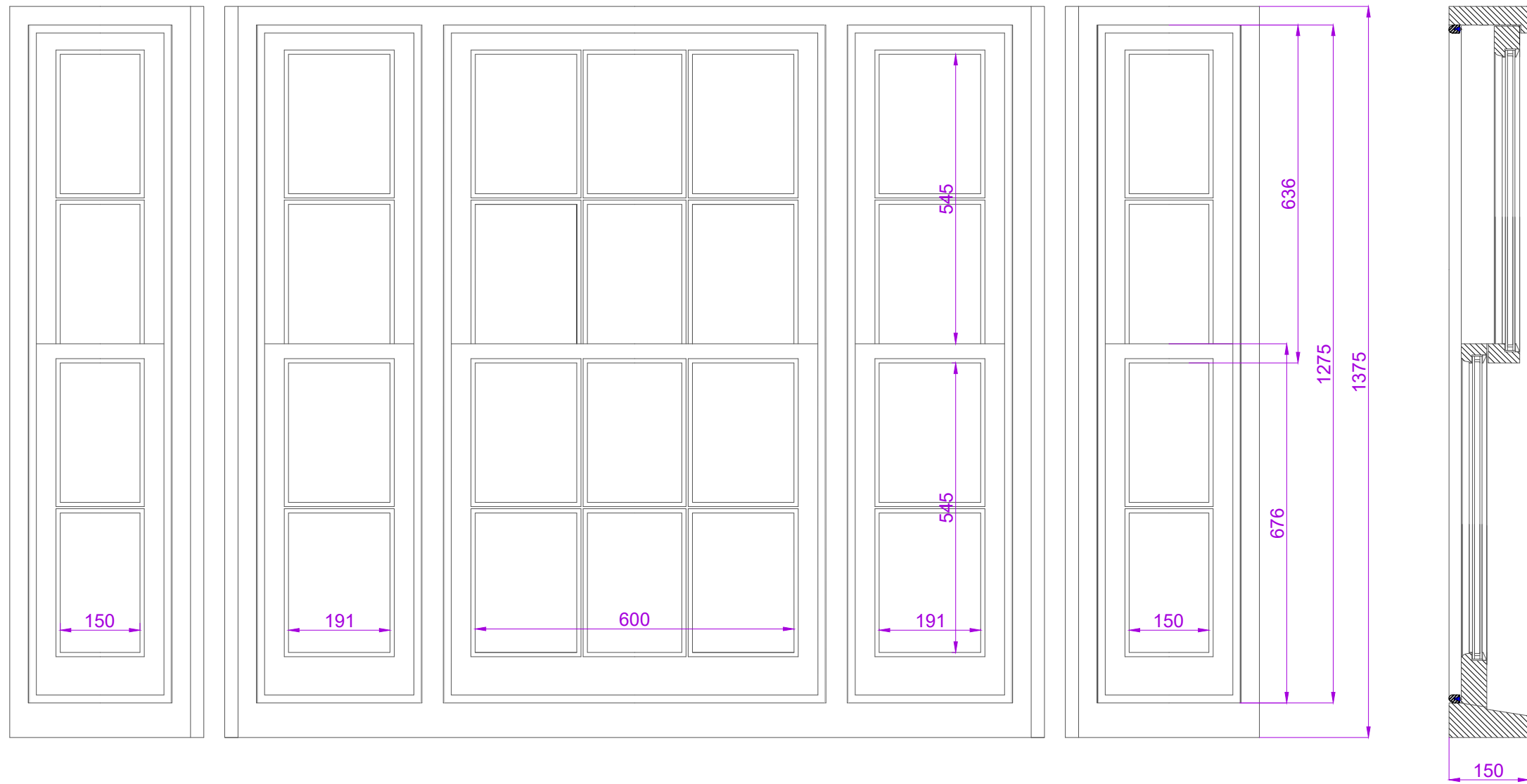
0 METRIC SCALE 1:10 ON A3

INTERNALLY VIEWED

SCALE 1:10 ON A3

500mm

1000mm



BLADES

JOB NO: 33358

SHEET 1 OF 3

Drawn by	C JEWISS
Scale	1:10 at A3
Issue No	01
Date:	AUG 2019

Material: See sheet 1

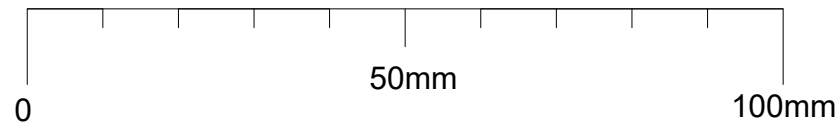
Finish - Int:See sheet 1
Ext:See sheet 1

Cill Finish:

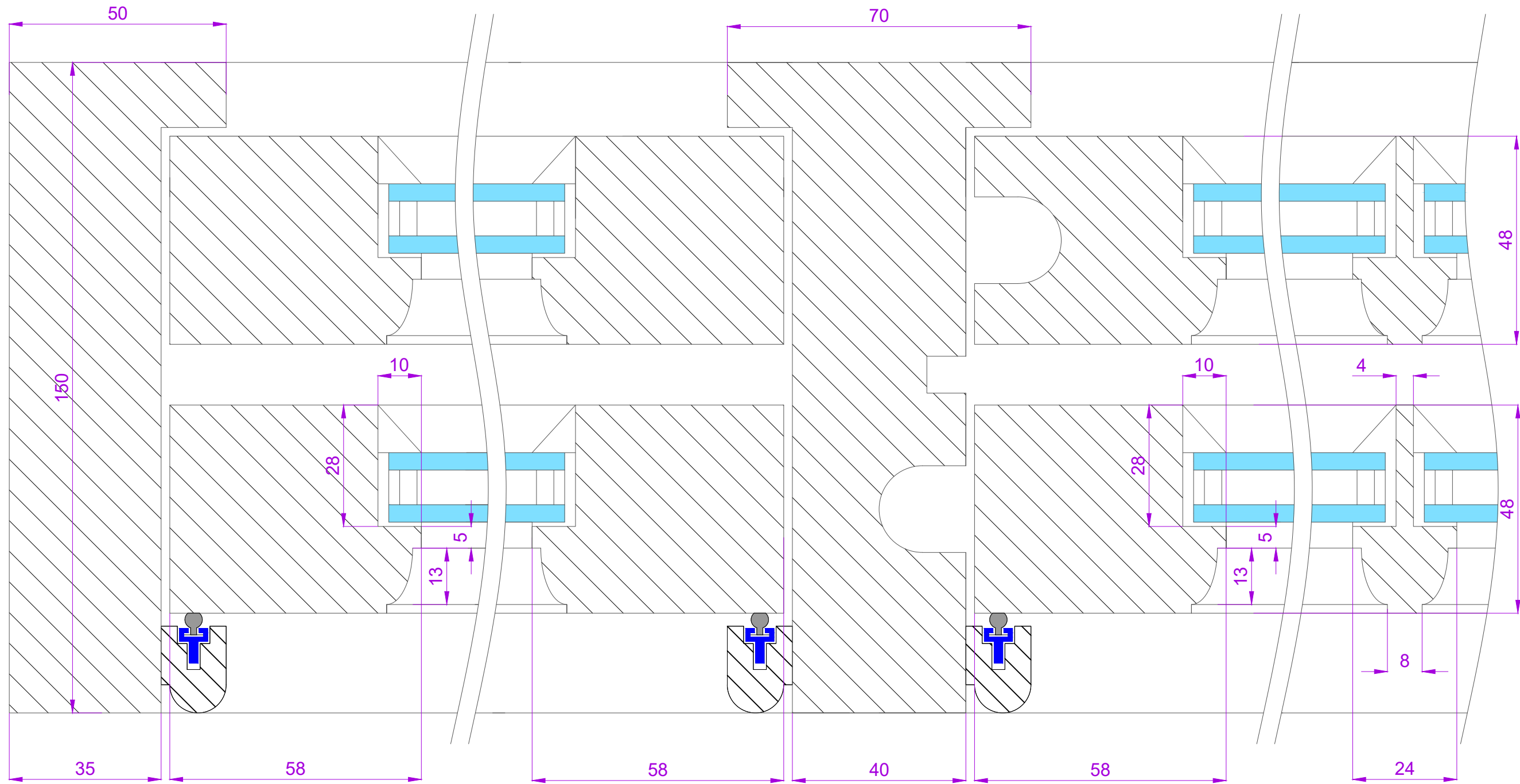
Glass - See sheet 1

The Sash Window Workshop
 4 Kiln lane,
 Bracknell,
 Berkshire RG12 1NA
 tel: +44 (0)1344 868668
 fax: +44 (0)1344 868858
 email: jewissc@sashwindow.com

ITEM 6



METRIC SCALE 1:1 ON A3



SECTION THROUGH FRAME
JAMB, MULLION AND
GLAZING BAR SCALE 1:1 ON A3

BLADES

JOB NO: 33358

SHEET 2 OF 3

Drawn by	C JEWISS
Scale	1:1 at A3
Issue No	01B
Date:	AUG 2019

Material: See sheet 1

Finish - Int:See sheet 1
Ext:See sheet 1

Cill Finish:
Glass - See sheet 1

The Sash Window Workshop
4 Kiln lane,
Bracknell,
Berkshire RG12 1NA
tel: +44 (0)1344 868668
fax: +44 (0)1344 868858
email: jewissc@sashwindow.com

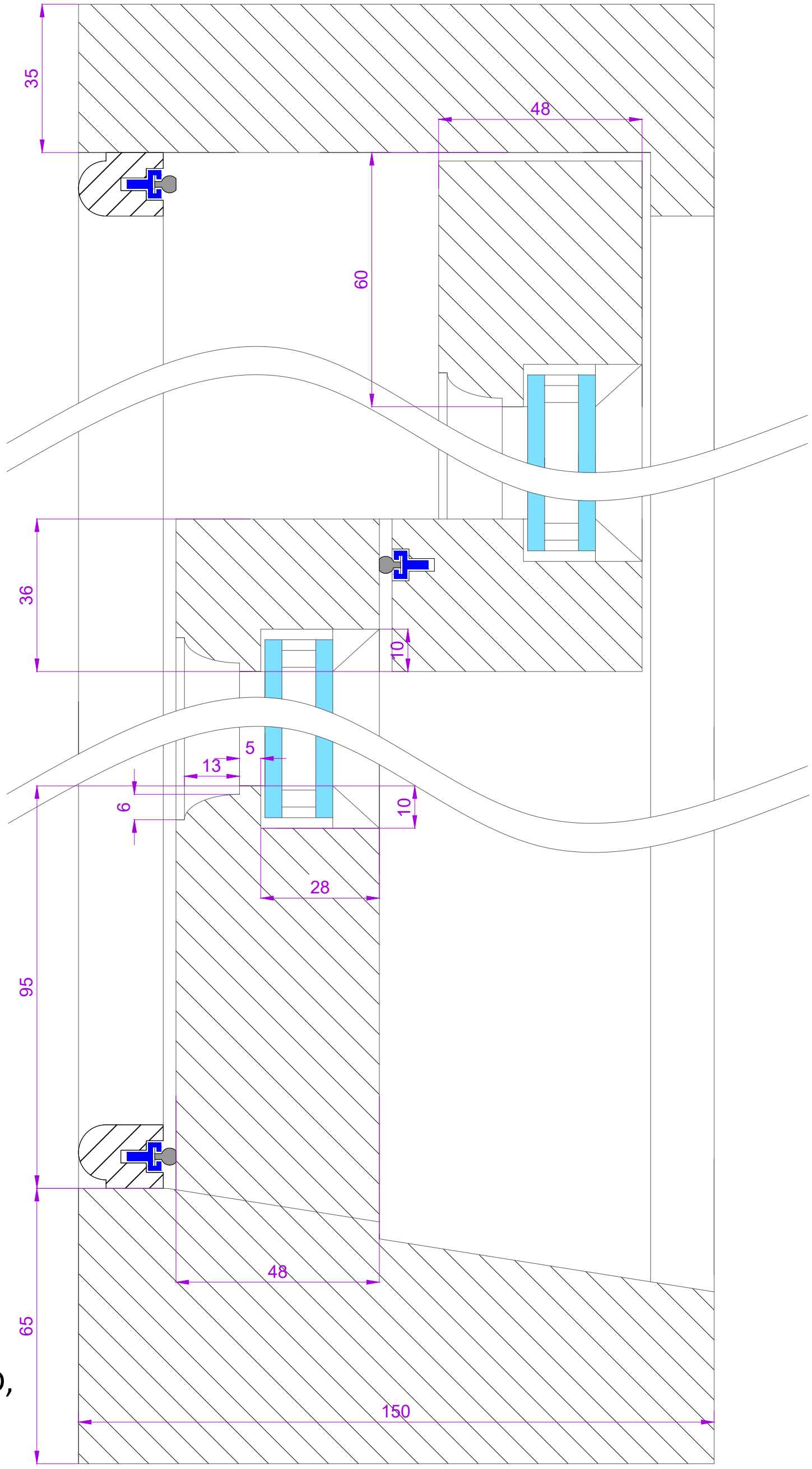
**ITEMS 2, 3
& 6**

BLADES		Material: See sheet 1	The Sash Window Workshop 4 Kiln lane, Bracknell, Berkshire RG12 1NA tel: +44 (0)1344 868668 fax: +44 (0)1344 868858 email: jewissc@sashwindow.com	ITEMS 1, 2, 3, 4 & 6
JOB NO: 33358		Finish - Int:See sheet 1 Ext:See sheet 1		
SHEET 3 OF 3		Cill Finish: Glass - See sheet 1		
Drawn by Scale Issue No Date:	C JEWISS 1:1 at A3 01B AUG 2019			

0 METRIC SCALE 1:1 ON A3

50mm

100mm



**SECTION THROUGH HEAD,
MEETING RAILAND CILL**
SCALE 1:1 ON A3