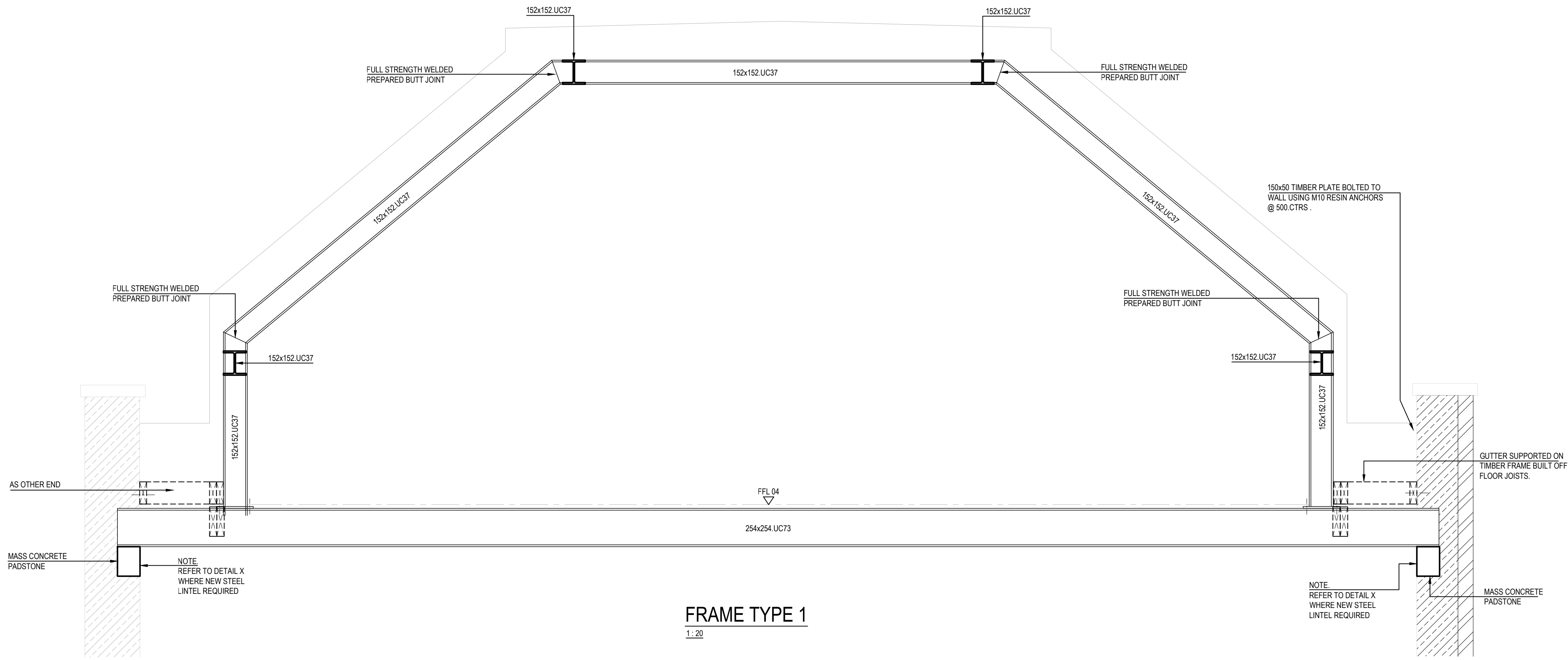
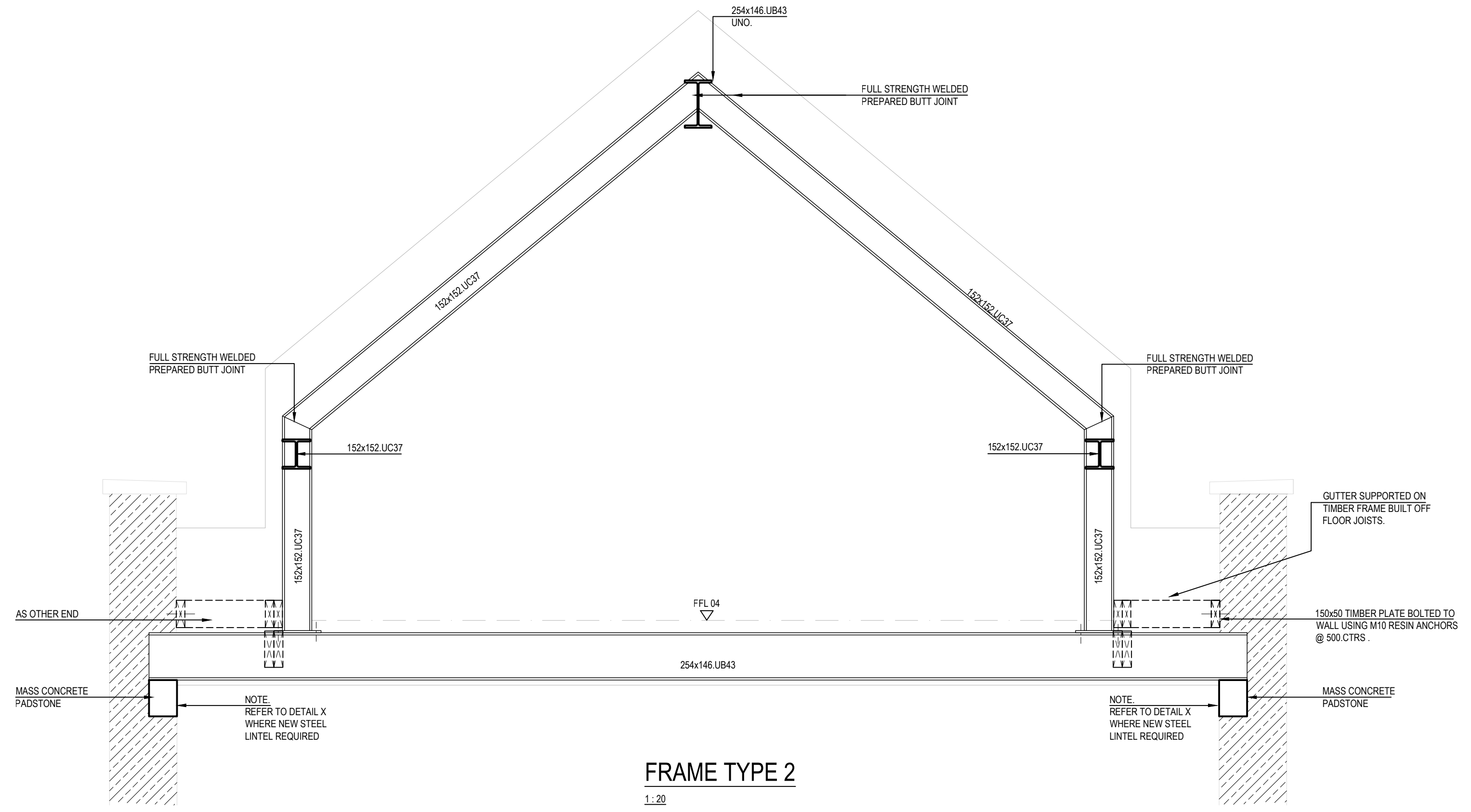


Last saved by: MIKE NEWTON (2019.08.09) Last Picked: 2019.08.09
 Filename: U:\2018\MIDDLESEX HOSPITAL ANNEXE\AECOM\ISSUE RECORDS\DATE ISSUED\190809_NORTH HOUSE, SOUTH HOUSE & WORKHOUSE CONSTRUCTION\ISSUEWORKHOUSE\MHA-ACM-WH-XX-DE-S-00001.DWG
 Project Management Initials: _____ Designer: _____ Checked: _____ Approved: _____
 ISO A1 594mm x 841mm

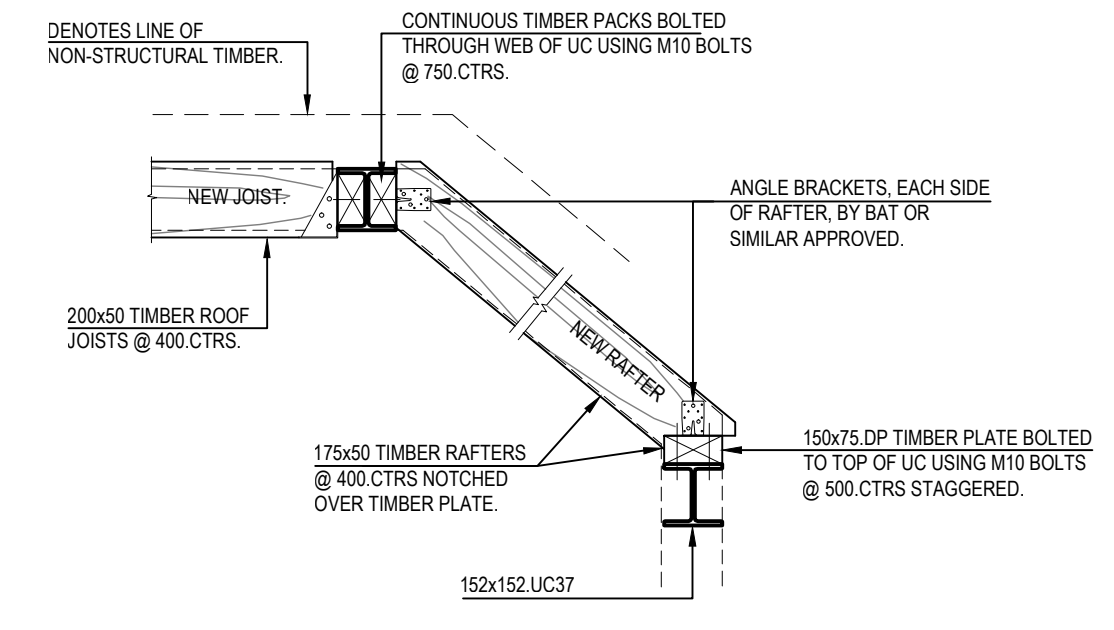
NOTE:
FOR SETTING OUT OF STEELWORK
REFER TO ARCHITECTS DETAILS



FRAME TYPE 1
1:20

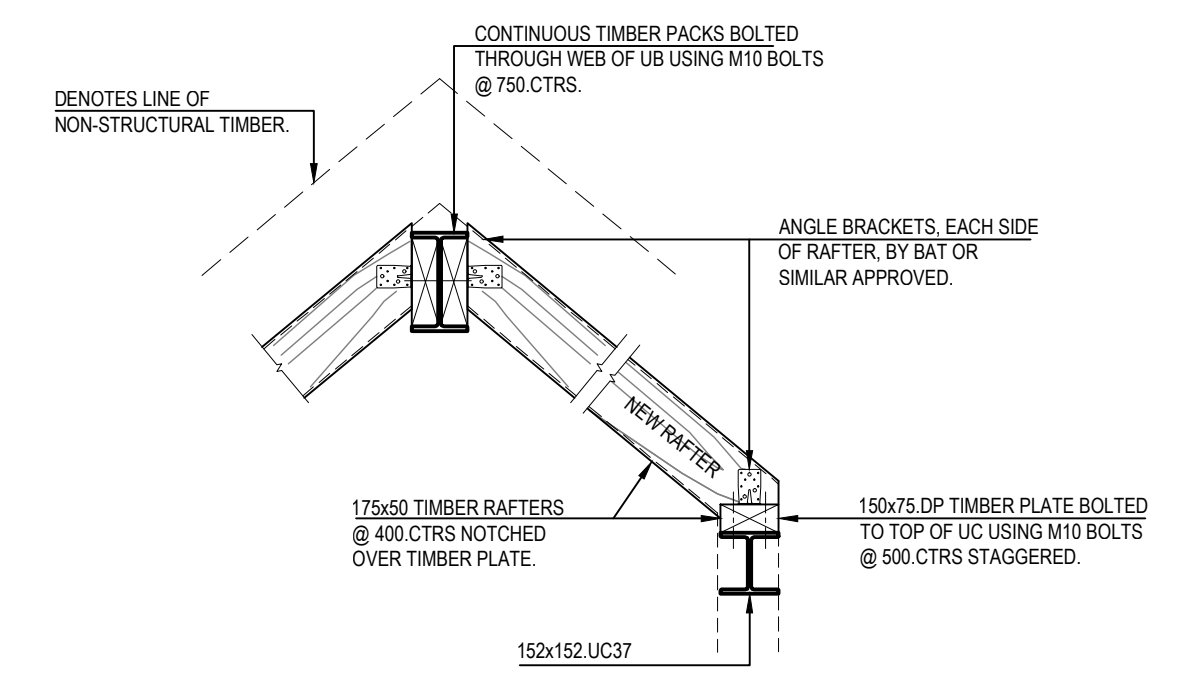


FRAME TYPE 2
1:20

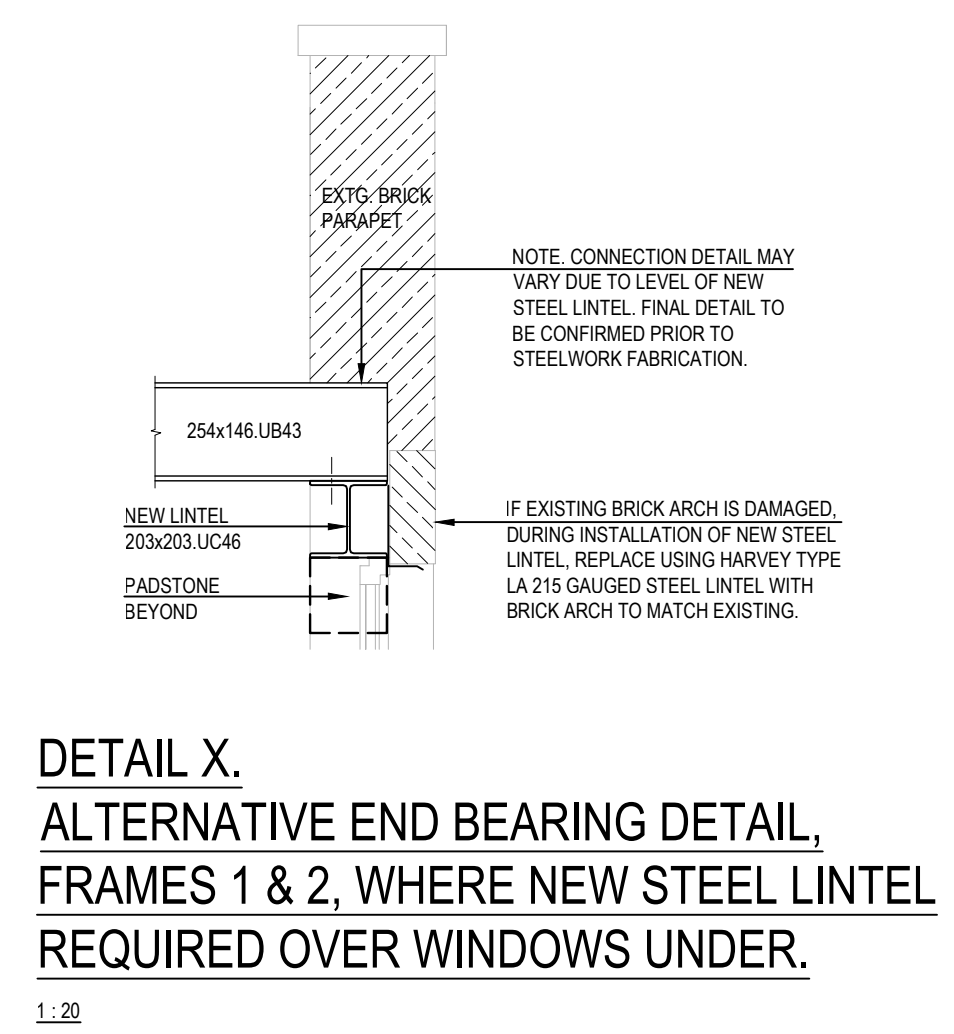


**FRAME TYPE 1
TIMBER DETAILS**
1:20

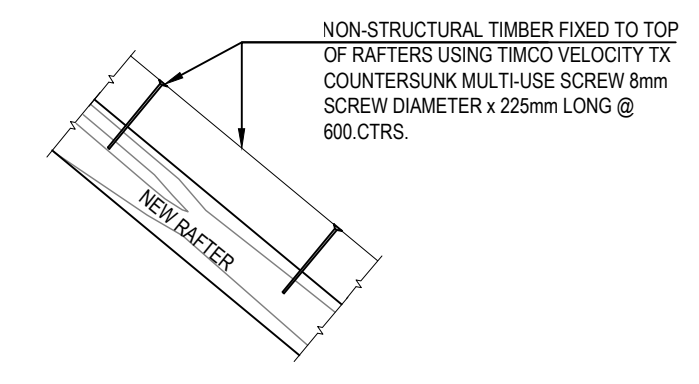
NOTE:
TIMBER RAFTERS / ROOF JOISTS
TO BE 175x50 & 200x50 TIMBERS
@ 400 CTRS UNLESS NOTED
OTHERWISE.



**FRAME TYPE 2
TIMBER DETAILS**
1:20



**DETAIL X.
ALTERNATIVE END BEARING DETAIL,
FRAMES 1 & 2, WHERE NEW STEEL LINTEL
REQUIRED OVER WINDOWS UNDER.**
1:20



**NON-STRUCTURAL
TIMBER FIXING DETAIL**
1:20



PROJECT
**BEDFORD PASSAGE
DEVELOPMENT**

CLIENT
MIDDLESEX ANNEXE LLP

CONSULTANT
AECOM
Aldgate Tower
2 Leman Street
London, E1 8FA
www.aecom.com

GENERAL NOTES
1. FOR GENERAL NOTES REFER TO DRAWING No. MHA-ACM-XX-XX-GN-S-00001

ISSUE/REVISION		
I/R	DATE	DESCRIPTION
C1	09.08.2019	CONSTRUCTION ISSUE

KEY PLAN

PROJECT NUMBER
60516144

SHEET TITLE
FRAME DETAILS
SHEET 1
WORKHOUSE

SHEET NUMBER
MHA-ACM-WH-XX-DE-S-00001

This drawing has been prepared for the use of AECOM's client. It may not be used, modified, reproduced or relied upon by third parties, except as agreed by AECOM, or as required by law. AECOM accepts no responsibility, and denies any liability, whatsoever, to any party that uses or relies on this drawing without AECOM's express written consent. All measurements must be obtained from the stated dimensions.