

CONTINUATION REFER TO DRAWING 41RS_20_Y_01.1

NOTES:

- LEGEND
- Exposed pipework to lower ground floor ceiling
 - Pipework from/to existing & new risers within floor void
 - Electrical cabling from/to existing & new risers within floor void
 - Existing riser/opening in floor to be retained or stripped-out - refer to detailed notes on drawing
 - New riser/opening in floor
 - Floor mounted VRF unit within bespoke joinery housing. For VRF sizes refer to drawing RS_5_J_61
 - Existing joists within floor
 - Existing beams within floor
 - Layout of existing walls to be removed
 - ER Electrical riser.
 - MR Mechanical riser.

Note: Beam and joist locations are assumed and are to be confirmed with an on site survey prior to construction.

The drawing is to be read in conjunction with PRS Heritage Significance drawings (HW-series drawings); Alan Baxter structural drawings and Frankham services drawings.

The services distribution strategy is to avoid altering the existing fabric by re-using existing services routes and notches where possible. Elsewhere the integration of new services will aim to work with the grain of the existing structure by passing services between existing timber floor joists and with careful coordination of the routes to limit notching to existing joists.

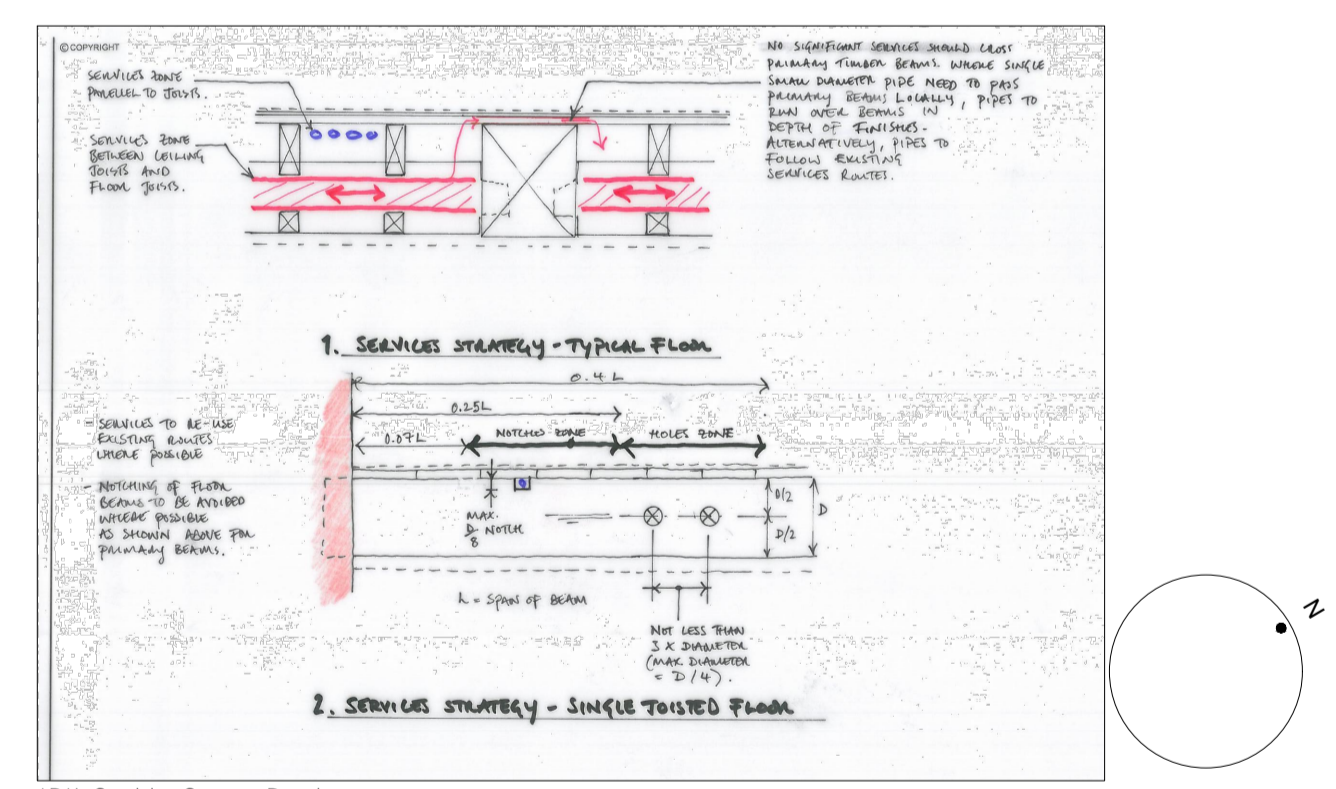
Where new notches are required these will be agreed by the LB Camden Conservation Officer.

All horizontal distribution of pipework to not be larger than 13mm in diameter. No insulation to run through floor timber structure.

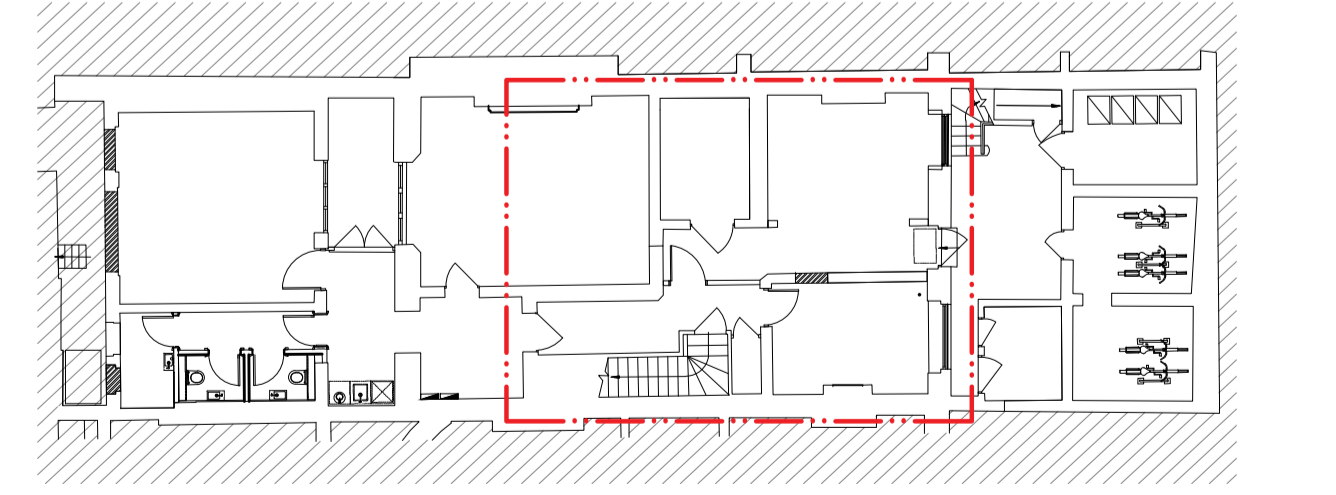
Pipework dimensions are as follows:

- 1.No 24mm \varnothing pipe including insulation (6.5 \varnothing RF pipe to VRF)
- 1.No 31mm \varnothing pipe including insulation (13 \varnothing RF pipe to VRF)

All redundant services openings will be made good.



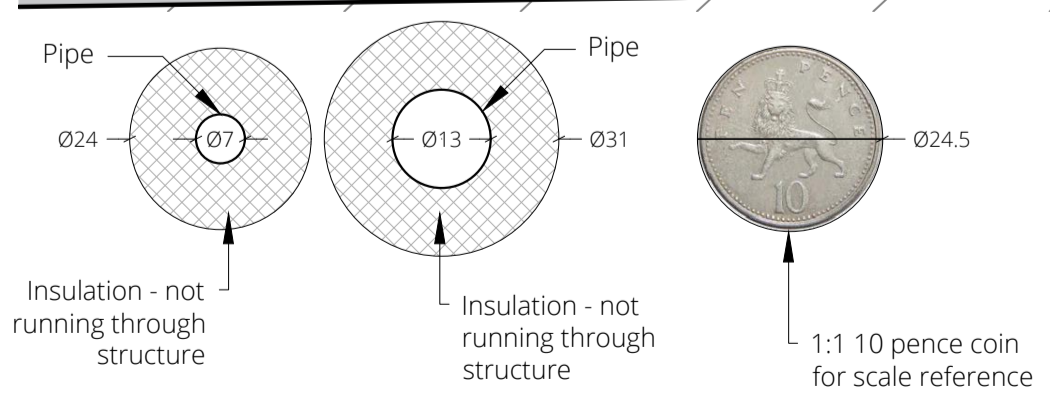
ABA's Servicing Strategy Drawing Key Plan



FOR PLANNING

Project Ref:	41 RUSSELL SQUARE - BRITISH MUSEUM
Subject:	LOWER GROUND FLOOR PLAN: 41RS PROPOSED SERVICES SHEET 02
Drwg No:	41RS_20_Y_01.2
Scale:	1:20
Rev:	B
Original sheet size:	A1

01.2 Lower Ground Floor Plan: Proposed Services Sheet 02
41 Russell Square



1:1@ A1 RF PIPEWORK SIZES

Read this drawing in association with all other relevant contract documents and risk assessments
Do not scale from this drawing. Use figured dimensions only. All dimensions to be checked and verified by the contractor on site.

© Pringle Richards Sharratt Ltd: Studio 2.01, Canterbury Court, London, SW9 6DE: Company registered in England No. 3189549



Date	Revision	Description
27 July 2018	A	Planning & Listed Building Consent Applications
21 June 2019	A	Planning & Listed Building Consent Applications
16 August 2019	B	Planning & Listed Building Consent Applications