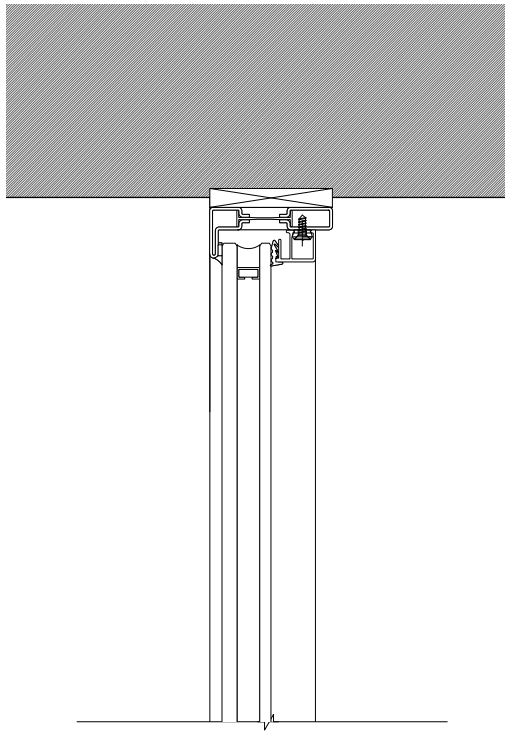


Jamb detail 1:2

External glazed screen:  
 new IQ Glass Mondrian CWS65 system  
 double glazed acoustic glass with thermally  
 broken metal frame.  
 RAL 8022



Head detail 1:2

HALF ACTUAL SIZE @ A1

Revision	Date	Amendment	Notes											Client	University College London		<b>Burwell Deakins</b> <small>info@burwellarchitects.com          www.burwellarchitects.com</small>				
P1	11.12.18	Planning issue												Project	Wilkins Building Core Areas - The Garden Room						
													Drawing	External screen / door details							
													Scale	1:2 @ A1	Drawn	CL					
													Date	November 2018							
														Project N°	791	Drawing N°	791/PL/021	Revision	P1	<small>Unit 001          California Building          London SE13 7SF          +44 (0) 2083 056010</small>	<small>First Floor          6 Southernhay          West Exeter EX1 1JG          +44 (0) 1392 423981</small>

NO DIMENSIONS ARE TO BE SCALED FROM THIS DRAWING. THE CONTRACTOR/MANUFACTURER IS RESPONSIBLE FOR CHECKING ALL DIMENSIONS AND QUERYING ANY DISCREPANCIES. THIS DRAWING IS THE PROPERTY OF BDA ARCHITECTS LTD. COPYRIGHT IS RESERVED BY THEM AND THE DRAWING IS ISSUED ON CONDITION THAT IT IS NOT COPIED, REPRODUCED, RETAINED OR DISCLOSED TO ANY UNAUTHORISED PERSON, EITHER WHOLLY OR IN PART, WITHOUT WRITTEN CONSENT.