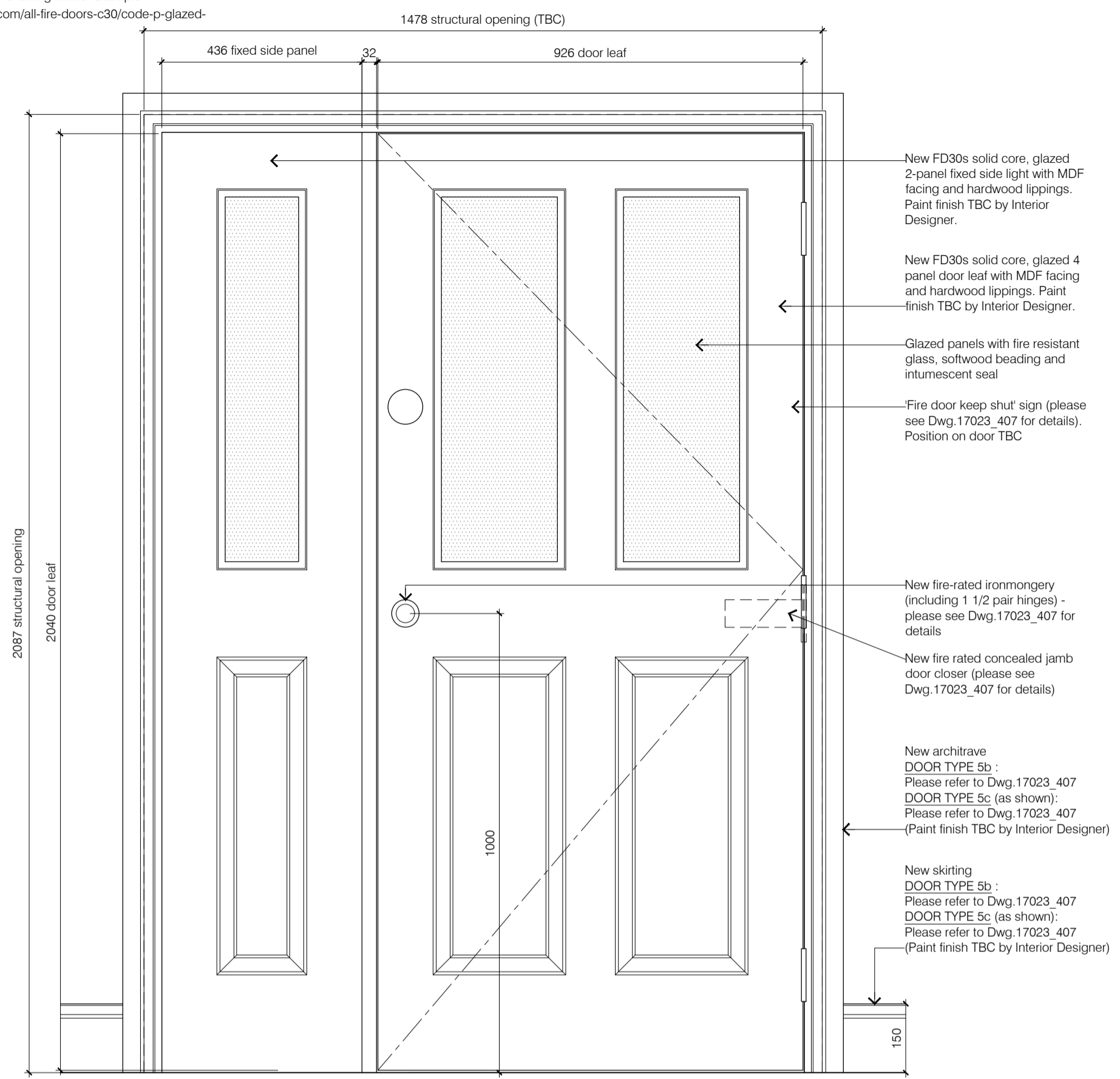


# DOOR TYPE 5d

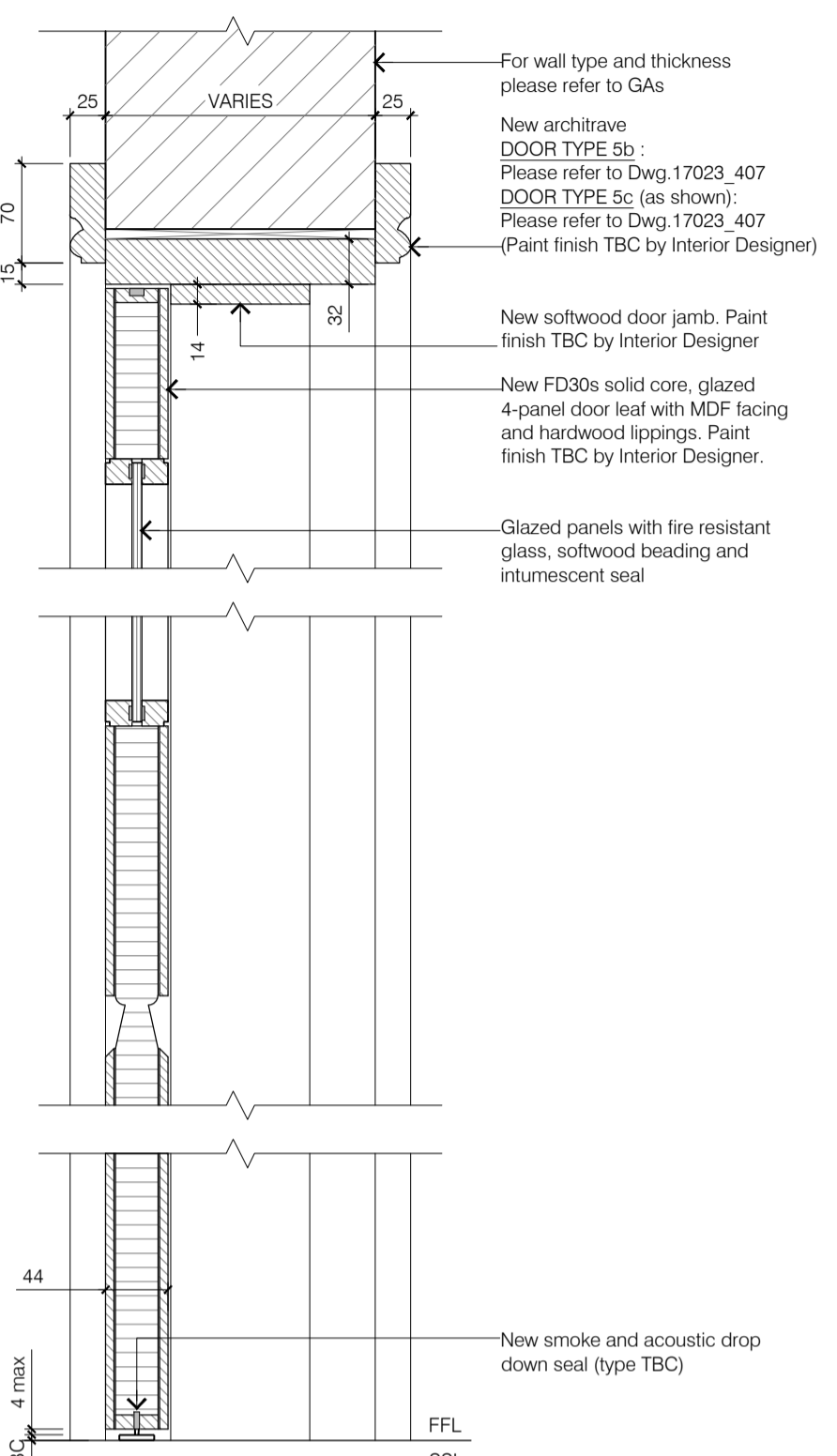
(LOCATION : Ground)

NEW 826 x 2040mm solid core, glazed 4-panel shared corridor door - hinged single leaf (FD30s) (supplied white primed - TBC) with glazed 2-panel side light (FD30s).  
 NOTE : Please refer to the following link for example :  
<https://www.justfiredoors.com/all-fire-doors-c30/code-p-glazed-td30-fire-door-p145>  
 (TBC)

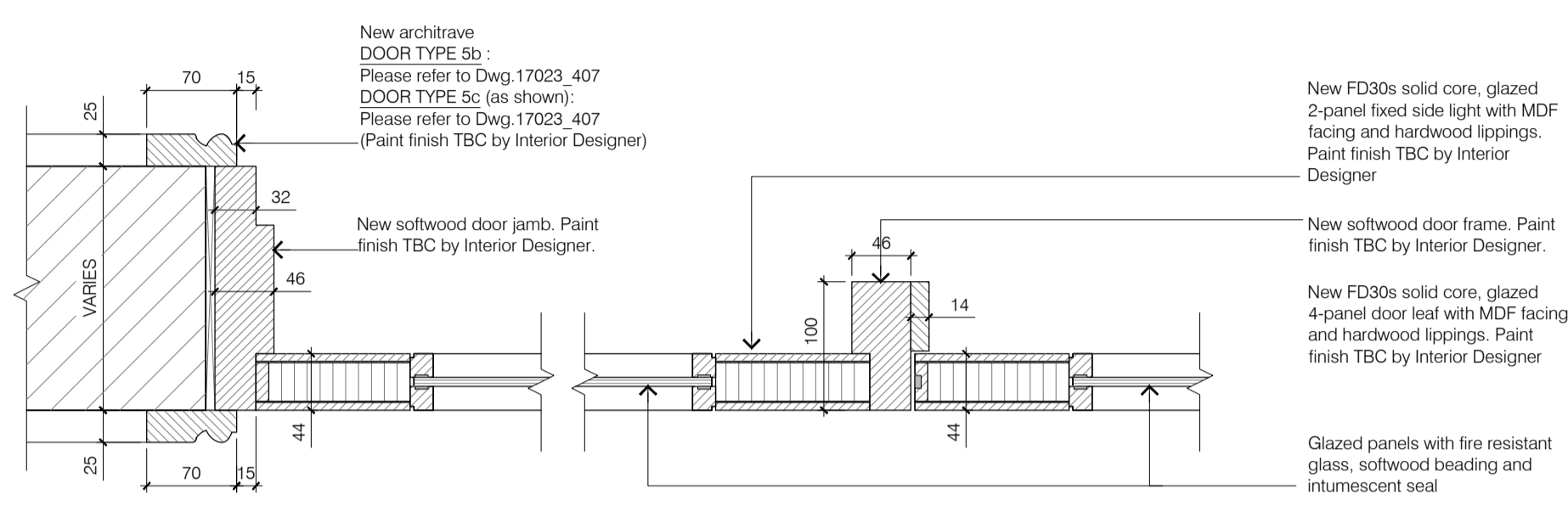
DG.02



01 DOOR TYPE 5d - Elevation  
 1:10 @ A1 / 1:20 @ A3



02 DOOR TYPE 5d - Head and Threshold Detail  
 1:5 @ A1 / 1:10 @ A3



03 DOOR TYPE 5d - Jamb Detail  
 1:5 @ A1 / 1:10 @ A3

NOTE :  
 TO BE READ IN CONJUNCTION WITH Dwg. 17023\_407

**GENERAL NOTES**

- Do not scale from this drawing. Check all dimensions and conditions on site. As Existing drawings are based on survey information supplied/produced by/on behalf of the client.
- All works to be carried out in accordance with current health and safety including CDM regulations. All works to comply with current British standards and regulations, codes of practice, Building regulations, and appropriate European standards.
- Precise positions of all fixtures and fittings is subject to confirmation on site.
- Allow for the protection of all finishes and fittings that are to be retained.
- All drawings are to be read in conjunction with the scope of works and relevant specifications.
- All works to be carried out strictly in accordance with relevant manufacturers instructions

**KEY:**

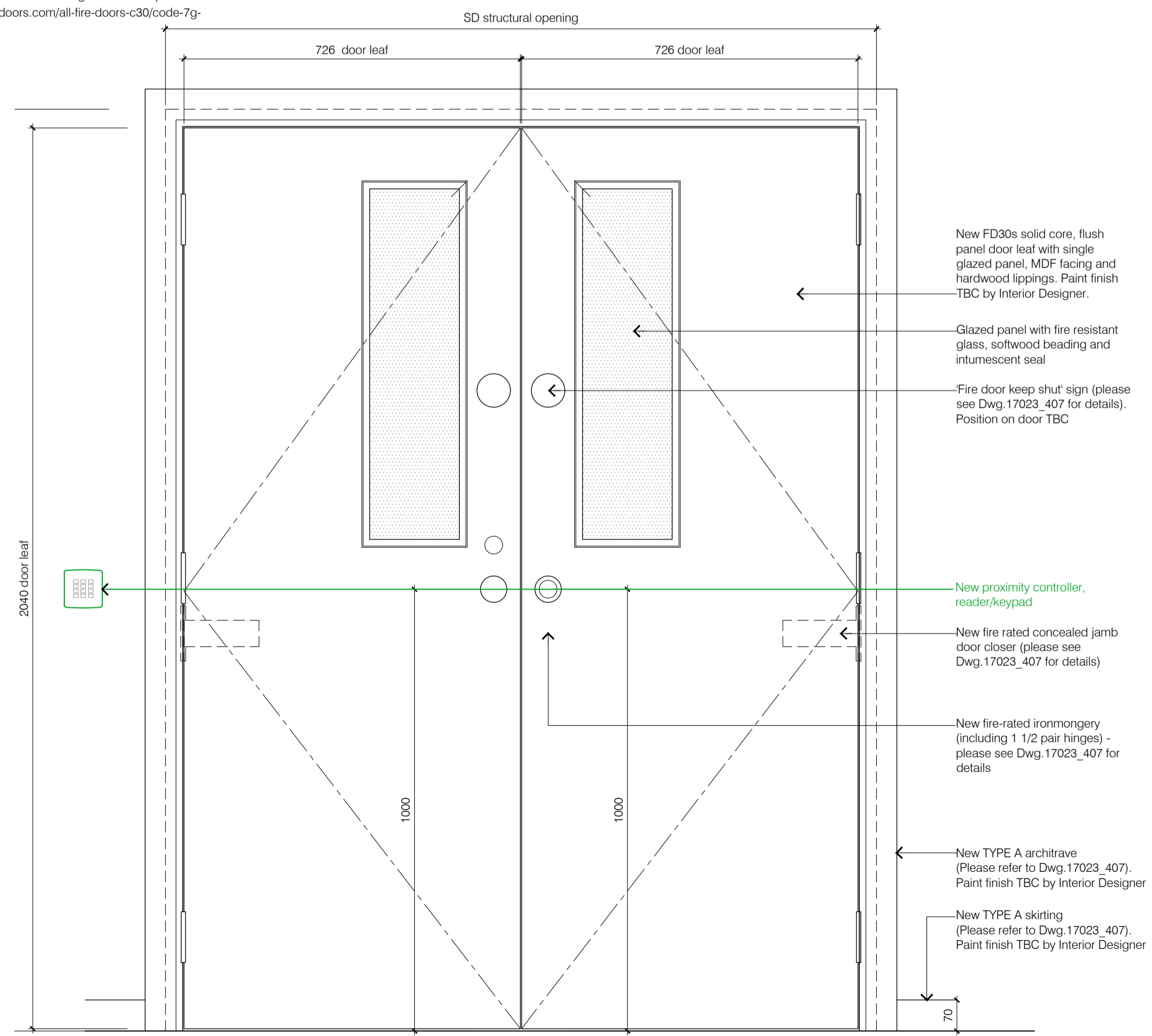
- Indicates existing fabric
- EX.xx.xx Indicates existing doors (+ fire rating)
- RE.xx.xx Indicates existing rehanged doors (+ fire rating)
- xx.xx Indicates new doors (+ fire rating)

# DOOR TYPE 5e

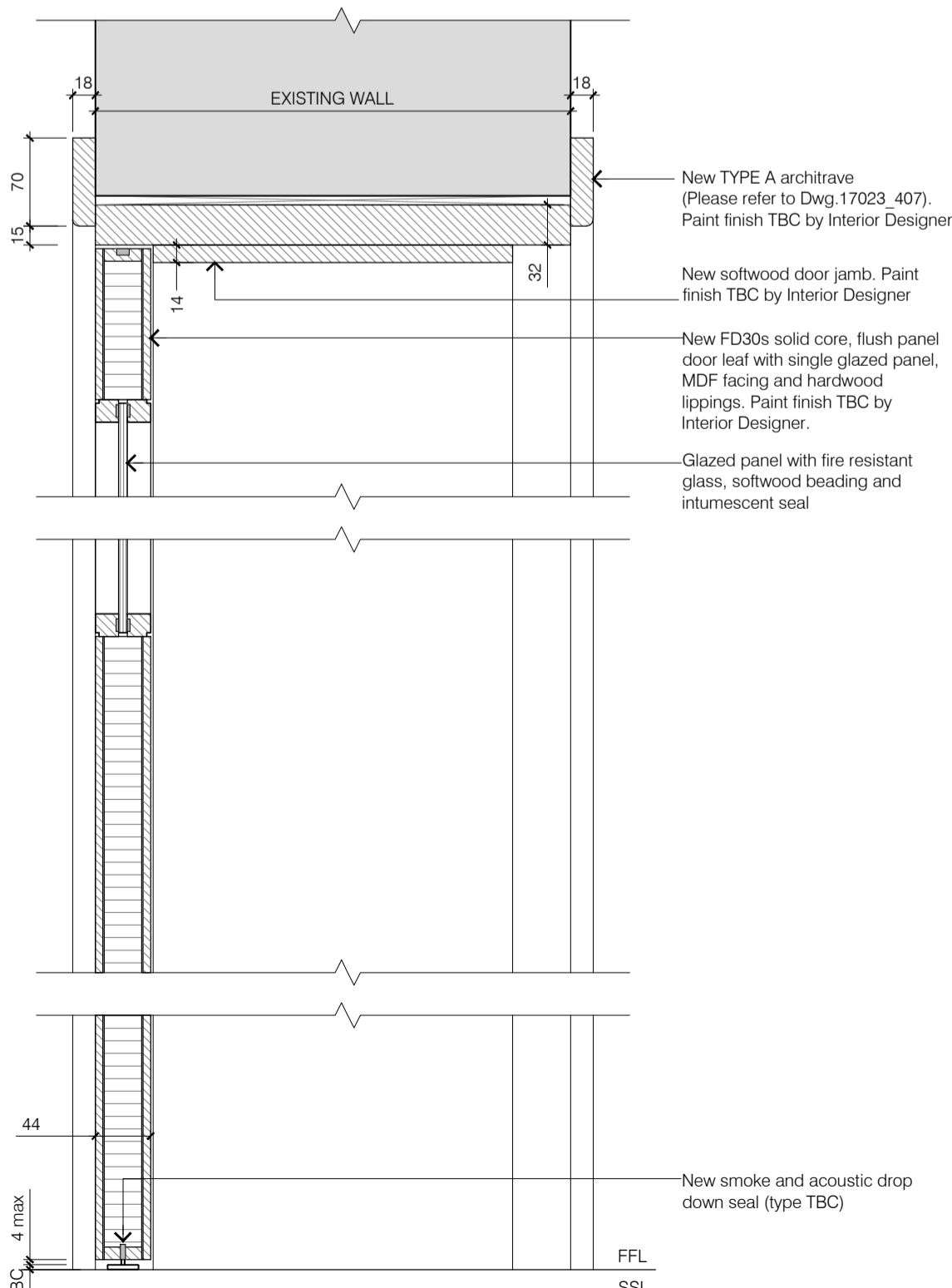
(LOCATION : Basement)

NEW 782 x 2040mm solid core, flush panel with single glazed aperture shared corridor door - hinged double leaf (FD30s).  
 NOTE : Please refer to the following link for example :  
<https://www.justfiredoors.com/all-fire-doors-c30/code-7g-td30-fire-door-p49>  
 (TBC)

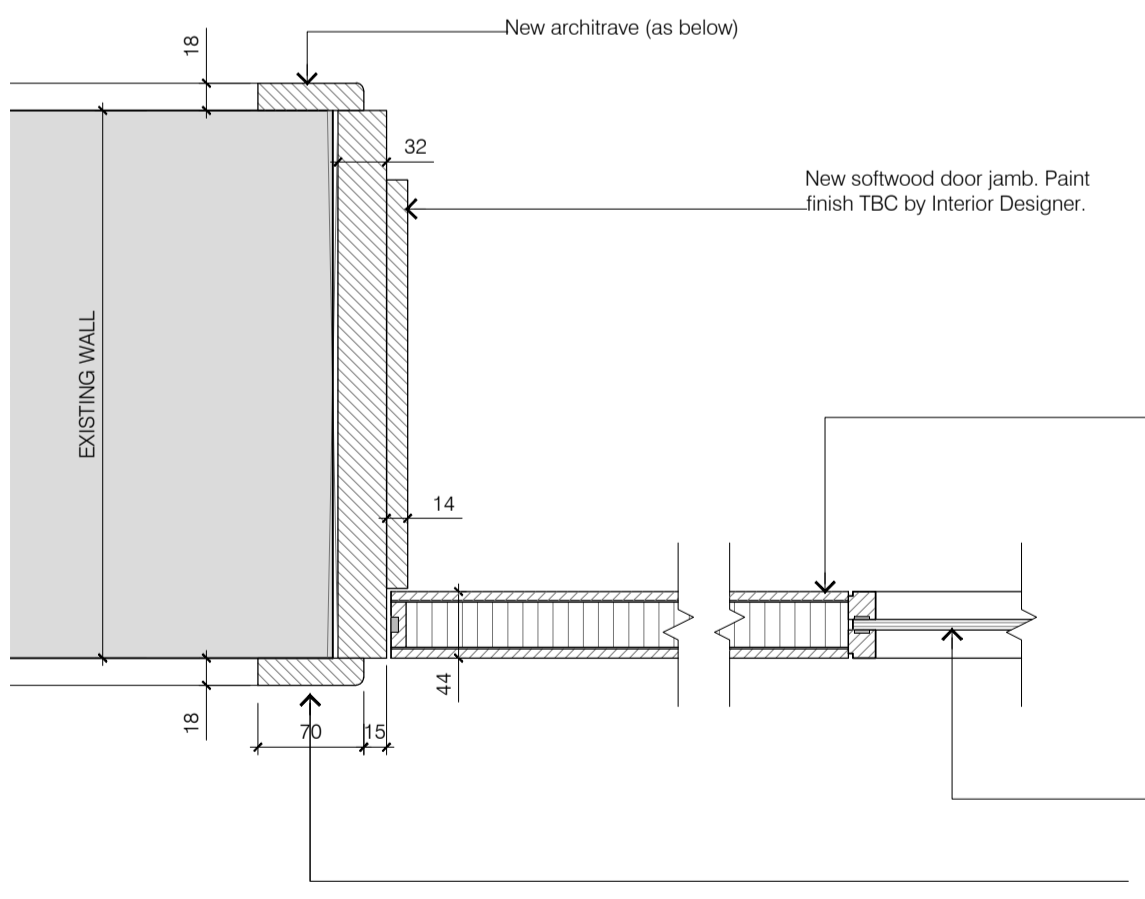
DB.25



04 DOOR TYPE 5e - Elevation  
 1:10 @ A1 / 1:20 @ A3



05 DOOR TYPE 5e - Head and Threshold Detail  
 1:5 @ A1 / 1:10 @ A3



06 DOOR TYPE 5e - Jamb Detail  
 1:5 @ A1 / 1:10 @ A3

New architrave (as below)

New softwood door jamb. Paint finish TBC by Interior Designer.

New FD30s solid core, flush panel door leaf with single glazed panel, MDF facing and hardwood lippings. Paint finish TBC by Interior Designer.

Glazed panels with fire resistant glass, softwood beading and intumescent seal.

rev	date	drawn	checked	description
D	2019.08.23	cb	lg	Drawing number updated. Issued for Planning
C	2019.06.30	cb	lg	Final construction issue - general revision
B	2018.10.24	lw		Handle heights and panelling updated.
A	2018.10.19	cb	lg	Door type 5e

**modulor studio**  
 5a Iliffe Yard  
 London, SE17 3QA  
 t: +44 (0)20 7193 1717  
 e: www.modulor-studio.co.uk

client: **SAV GROUP**

project address: **Vernon Hse, 5-8 Mark's Sq, NW1 7TN**

drawing title: **Internal Door Details - TYPE 5d & 5e**

scale: **1:10 @ A1 / 1:20 @ A3**

job no. dwg no. revision