

EXTERNAL LIGHTING DUCT SERVING CAR PARK ENTRANCE

PROPOSED NEW INCOMING BT & VIRGIN (100mm DUCT) TO DEVELOPMENT.

PROPOSED NEW INCOMING LV SUB-MAINS TO DEVELOPMENT. (125mm BLACK RIDGIDUCT)

PROPOSED NEW INCOMING MAINS WATER TO DEVELOPMENT. FOR DETAILS OF WATER SERVICES PIPEWORK REFER TO WATER SERVICES DRAWING No. L18051-IN2-00-00-DR-M-3001

PROPOSED NEW GAS CONNECTION TO DEVELOPMENT. FOR DETAILS OF GAS PIPEWORK REFER TO GAS SERVICES DRAWING No. L18051-IN2-00-00-DR-M-5001

EXISTING BELOW GROUND BT & VIRGIN SERVICES. POSITION IS INDICATIVE ONLY

EXISTING BELOW GROUND UKPN SERVICES. POSITION IS INDICATIVE ONLY

EXISTING BELOW GROUND THAMES WATER MAINS. POSITION IS INDICATIVE ONLY

EXISTING BELOW GROUND CADENT GAS MAINS. POSITION IS INDICATIVE ONLY

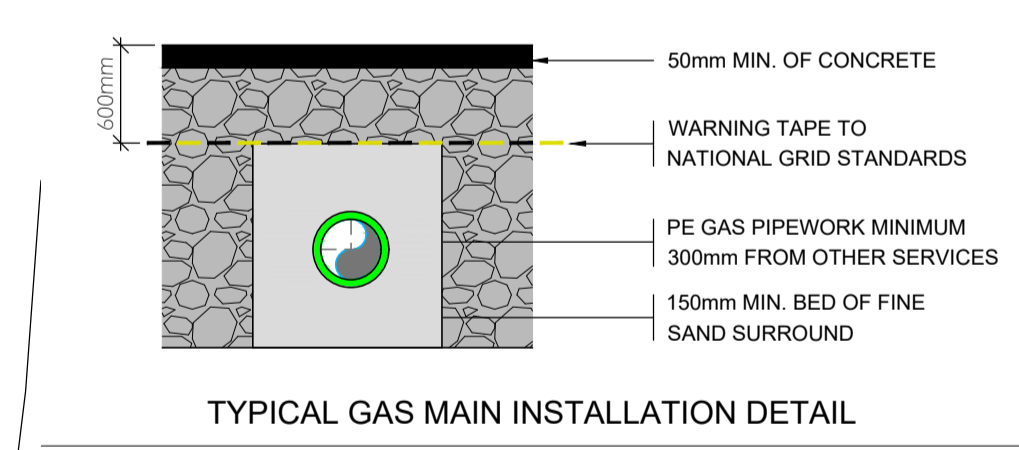
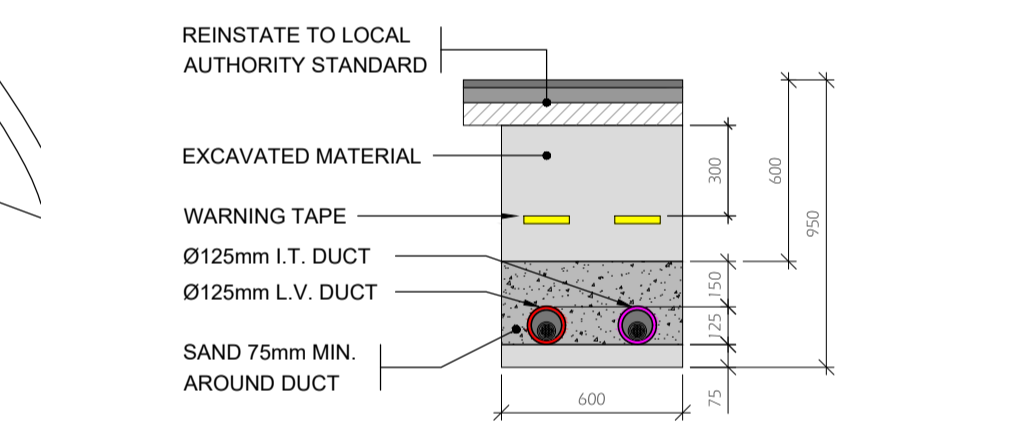
KEYPLAN

NOTES

- FOR ASSOCIATED HEATING SERVICES DRAWINGS REFER TO IN2 ENGINEERING M-1000 SERIES DRAWINGS.
- FOR ASSOCIATED VENTILATION SERVICES DRAWINGS REFER TO IN2 ENGINEERING M-2000 SERIES DRAWINGS.
- FOR ASSOCIATED WATER SERVICES DRAWINGS REFER TO IN2 ENGINEERING M-3000 SERIES DRAWINGS.
- FOR ASSOCIATED SOILS & WASTES SERVICES DRAWINGS REFER TO IN2 ENGINEERING M-4000 SERIES DRAWINGS.
- FOR ASSOCIATED GAS SERVICES DRAWINGS REFER TO IN2 ENGINEERING M-5000 SERIES DRAWINGS.

SCHEDULE OF PIPEWORK / DUCTWORK

- PIPEWORK IN CEILING VOID
- PIPEWORK EXPOSED AT HIGH LEVEL IN PLANT AREAS
- PIPEWORK AT LOW LEVEL EXPOSED
- PIPEWORK IN FLOOR VOID / TRENCH
- IT / COMMS DUCT
- INCOMING LV SUBMAINS
- MAINS COLD WATER SUPPLY (MCWS)
- GAS PIPEWORK
- EXTERNAL LIGHTING DUCT



NOTE: ARCHITECTURAL DRAWING USED FOR COMPILATION OF IN2 DRAWING. ARCHITECTURAL DRAWING REVISION: DATE RECEIVED:

STATUS	DATE	DESCRIPTION	DRN	ENG	APP	REV
S4	22.07.2019	CONSTRUCTION ISSUE	JDT	EB	BF	C1

IN2
ENGINEERING DESIGN PARTNERSHIP
DUBLIN . ATHLONE . BELFAST . LONDON



PROJECT
BELSIZE PARK FIRESTATION

CLIENT
PLATINUM LAND

SCALE	SIZE	PROJECT REF:	DRAWING No.	STATUS	REVISION
1:100 @ A1 1:200 @ A3	A1	L18051	L18051-IN2-00-00-DR-ME-0101	S4	C1