

JOINERY DETAIL SHEET

1 Complete New Flush Casement Window (Non DocL)

Customer Johnson	Job No D33021	Item No 4	Sheet 1 of 3
----------------------------	-------------------------	---------------------	------------------------

<p>Diagram</p> <p>Flush casement window, Opening out, Viewed internally</p>	<p>Sectional Details</p> <table border="0"> <tr> <td>Frame Stop</td> <td>Ovolo</td> </tr> <tr> <td>Finished Frame Head</td> <td>93 x 58 mm</td> </tr> <tr> <td>Finished Frame Jamb</td> <td>93 x 58 mm</td> </tr> <tr> <td>Finished Cill</td> <td>93 x 70 mm (10 mm horn)</td> </tr> </table> <table border="0"> <tr> <td>Sash Head</td> <td>50 mm</td> </tr> <tr> <td>Sash Stile</td> <td>50 mm</td> </tr> <tr> <td>Sash Btm Rail (int)</td> <td>75 mm Stepped</td> </tr> <tr> <td>Sash Thickness</td> <td>48 mm</td> </tr> </table>	Frame Stop	Ovolo	Finished Frame Head	93 x 58 mm	Finished Frame Jamb	93 x 58 mm	Finished Cill	93 x 70 mm (10 mm horn)	Sash Head	50 mm	Sash Stile	50 mm	Sash Btm Rail (int)	75 mm Stepped	Sash Thickness	48 mm
Frame Stop	Ovolo																
Finished Frame Head	93 x 58 mm																
Finished Frame Jamb	93 x 58 mm																
Finished Cill	93 x 70 mm (10 mm horn)																
Sash Head	50 mm																
Sash Stile	50 mm																
Sash Btm Rail (int)	75 mm Stepped																
Sash Thickness	48 mm																

Location Ground Floor Front Bathroom	Glazing Bar 20 mm with 4 mm Nib
--	------------------------------------

Material Accoya sashes, Accoya frame, Hardwood cill	Quantity 1	Profile Ovolo
---	----------------------	------------------

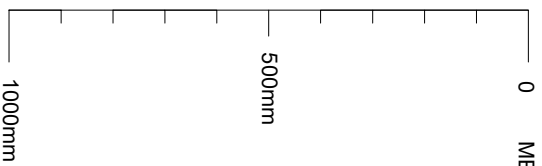
Ironmongery 1 x Casement Stay Pin Locking BA 1 x Casement Window Lock White 1 x Egress Casement Lock BA Matt Black 2 x Hinge Butt SC 3 inch 1 x Lock Chubb Window Key	Glazing Single Glazed Case 4mm Stippolyte Float
--	---

Dry Seal White Tape Internally	Paint Finish Internal Standard White External Standard White
-----------------------------------	--

Production Notes	Installation Notes Installed: Externally 1. TRY NOT TO DAMAGE TILES ON REMOVAL OF FRAME. 2. CEMENT FILLET EXTERNALLY. ACRYLIC SEAL INTERNALLY. 3. FIT DRIP. 4. TRANSFER STAY AND HANDLE.
------------------	---

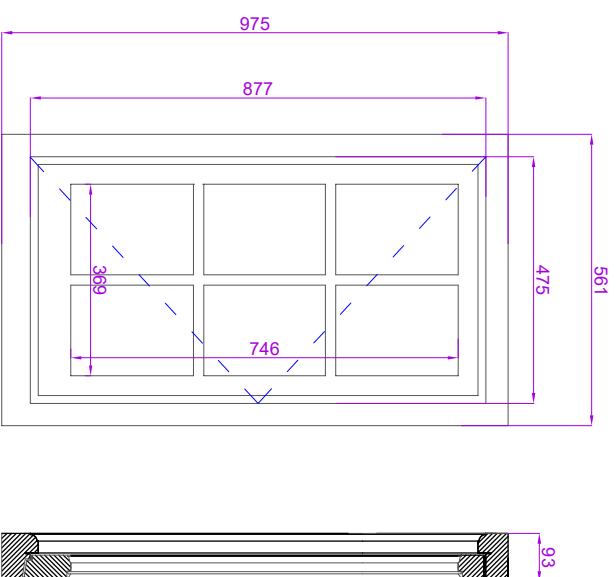
Job Tracking Order received: 26-02-2019 Sold by: David Farebrother Surveyed by: Chris Jewiss	Print date: 23-04-2019 Last modified by: Chris Jewiss Last modified date: 23-04-2019	Internal Hazard: External Access:	Item Over WC Scaffold by Customer
---	--	--------------------------------------	--------------------------------------

METRIC SCALE 1:10 ON A3



INTERNALLY VIEWED

SCALE 1:10 ON A3



JOHNSON

JOB NO.: 33021

SHEET 2 OF 3

Drawn by C JEWISS

Scale 1:10 at A3

Issue No 01

Date: MAR 2019

Material: See sheet 1

Finish - Int: See sheet 1

Ext: See sheet 1

Call Finish:

Glass - See sheet 1

The Sash Window Workshop
4 Kiln Lane,
Bracknell,

Berkshire RG12 1NA

tel: +44 (0)1344 868668

fax: +44 (0)1344 868858

email: jewissc@sashwindow.com

FIRST FLOOR
FRONT ELEVATION
BATHROOM

ITEM 4

0 METRIC SCALE 1:1 ON A3

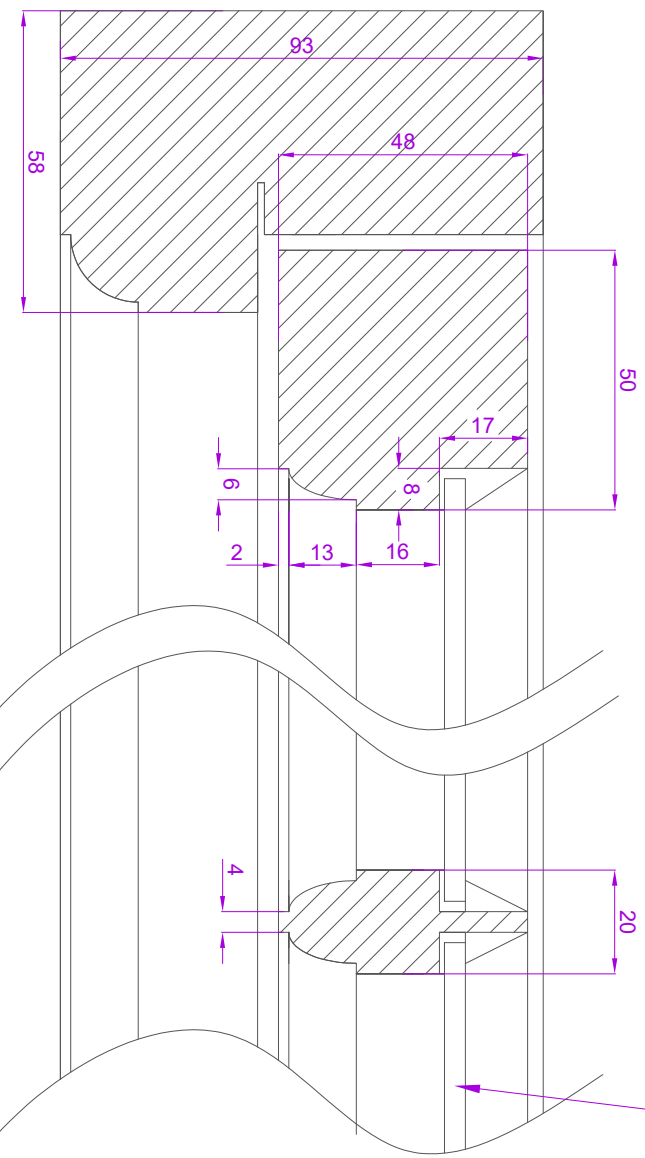
50mm

100mm

SECTION THROUGH FRAME HEAD AND CILL

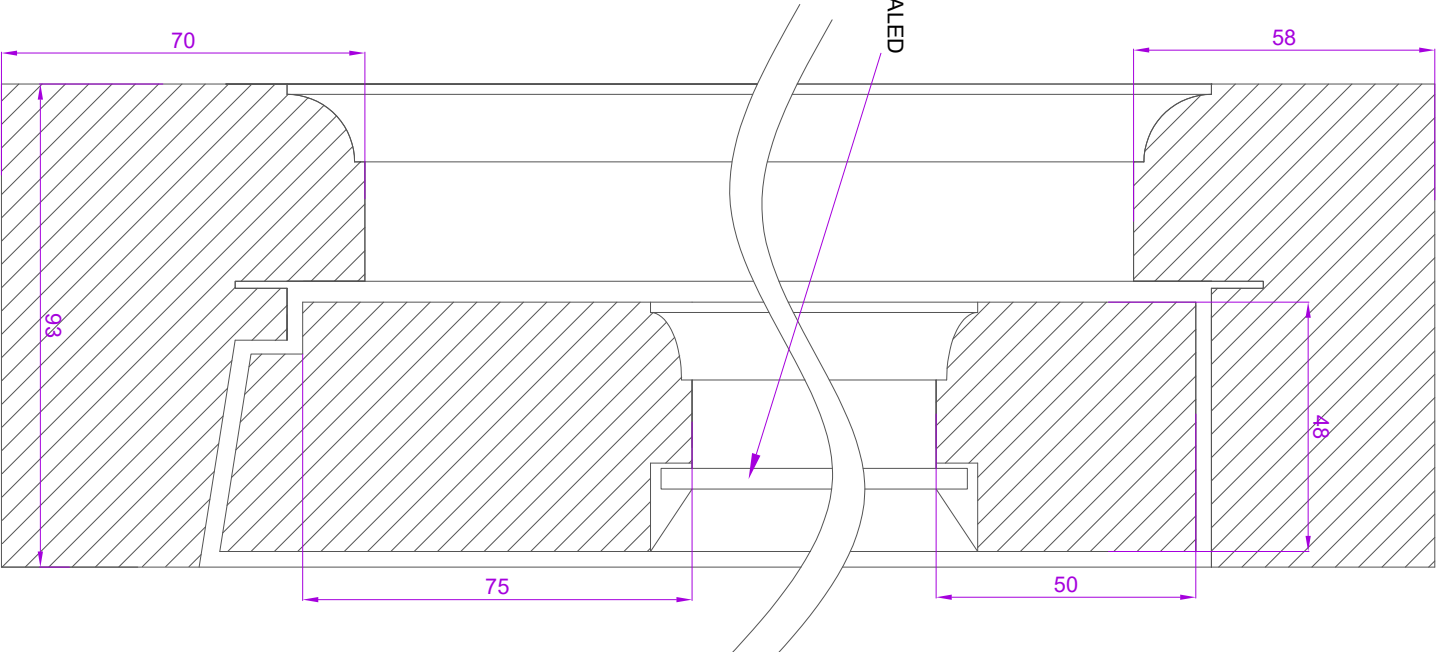
SCALE 1:1 ON A3

4mm STIPPOLYTE FLOAT GLASS DRY SEALED



SECTION THROUGH FRAME JAMB AND GLAZING BAR

SCALE 1:1 ON A3



JOHNSON
JOB NO: 33021
SHEET 3 OF 3

Drawn by C JEWISS
Scale 1:1 at A3
Issue No 01
Date: MAR 2019

Material: See sheet 1

Finish - Int: See sheet 1
Ext: See sheet 1

Call Finish:
Glass - See sheet 1

The Sash Window Workshop
4 Kiln Lane,
Bracknell,
Berkshire RG12 1NA
Tel: +44 (0)1344 868668
fax: +44 (0)1344 868658
email: jewiss@sashwindow.com

FIRST FLOOR
FRONT/RHS ELEVATION
BATHROOM

ITEM 4 & 5