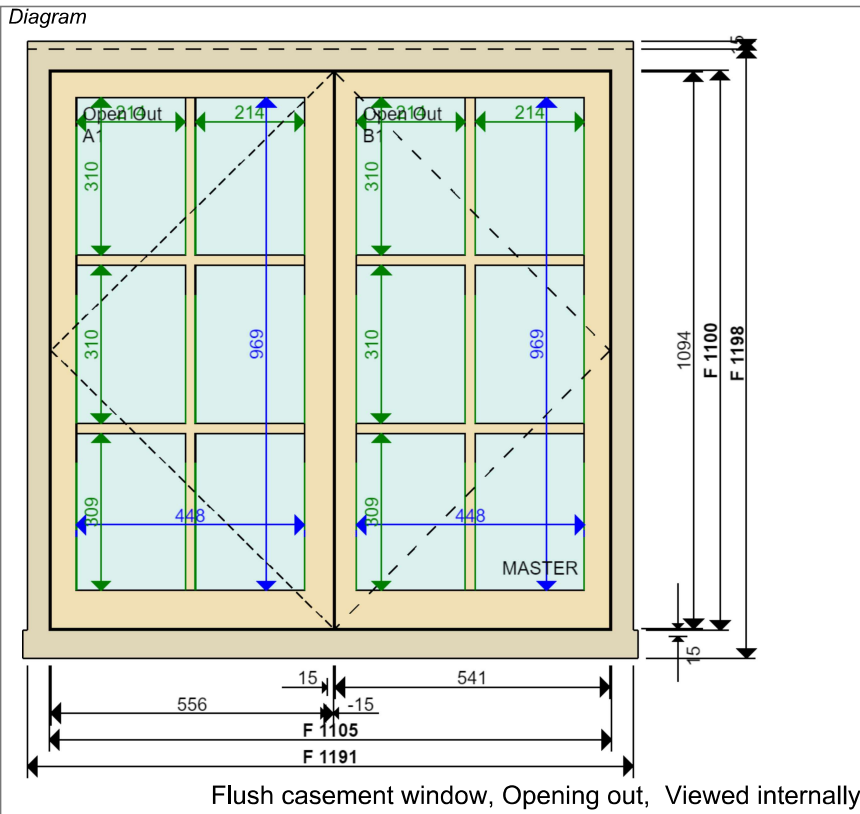


JOINERY DETAIL SHEET

1 Complete New Flush Casement Window (Non DocL)

| | | | |
|----------------------------|-------------------------|---------------------|------------------------|
| Customer Johnson | Job No D33021 | Item No 7 | Sheet 1 of 3 |
|----------------------------|-------------------------|---------------------|------------------------|



Sectional Details

| | | |
|---------------------|---------------------|---------------------------------|
| Frame in Kit Form | Frame Stop | Ovolo |
| Finished Frame Head | Ext. Head Plant On | 15 mm |
| Finished Frame Jamb | Finished Frame Cill | 93 x 70 mm (10 mm horn) |
| Sash Head | Sash Stile | 50 mm |
| Sash Btm Rail (int) | Sash Midrail | 75 mm Stepped incl. 3 mm gap |
| Sash Thickness | | 48 mm |
| Glazing Bar | | 20 mm with 4 mm Nib |
| Profile | | Ovolo |
| Moulding Cutter | | 6 x 13 with 16 mm shoulder |
| Glazing Rebate | | 8 x 17 mm |

Location
Second Floor RHS Bedroom 2

Material
**Accoya sashes,
Accoya frame, Hardwood cill**

Quantity
1

Ironmongery
2 x Casement Stay Pin Locking BA
2 x Casement Window Lock White
2 x Egress Casement Lock BA Matt Black
6 x Hinge Butt SC 3 inch
2 x Lock Chubb Window Key

Glazing
Single Glazed
Case 6.4mm Clear Laminate

Dry Seal **White Tape Internally**

Paint Finish
Internal Standard White
External Standard White

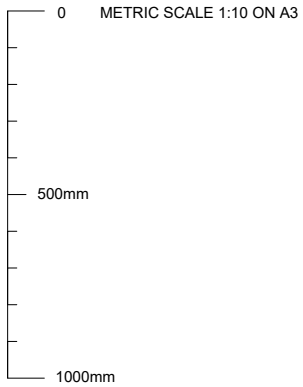
Production Notes
*EXTERNAL 10mm PLANT-ON TO FRAME JAMBS.
*KIT FORM FRAME DUE TO RESTRICTED STAIRWELL ACCESS.

2 | 13 | 16 | 17

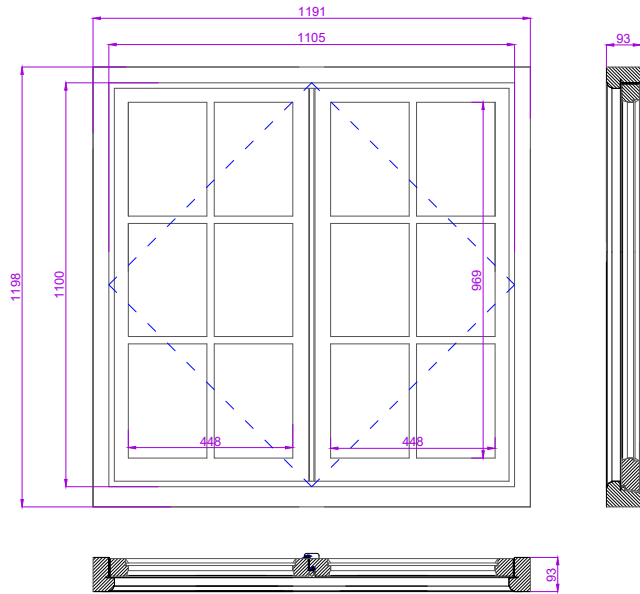
Installation Notes
Installed: Externally
[Frame in Kit Form]
1. CEMENT FILLET EXTERNALLY. ACRYLIC SEAL INTERNALLY.
2. FIT DRIP.
3. TRANSFER STAYS AND HANDLE.
4. FIT WINDOWBOARD AND QUADS.

Job Tracking
Order received: 26-02-2019 Print date: 23-04-2019
Sold by: David Farebrother Last modified by: Chris Jewiss
Surveyed by: Chris Jewiss Last modified date: 23-04-2019

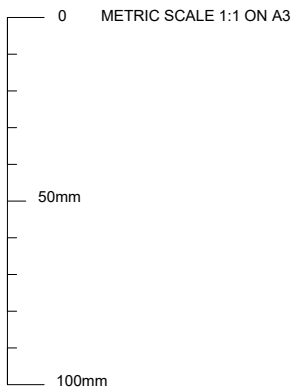
External Access: Scaffold by Customer



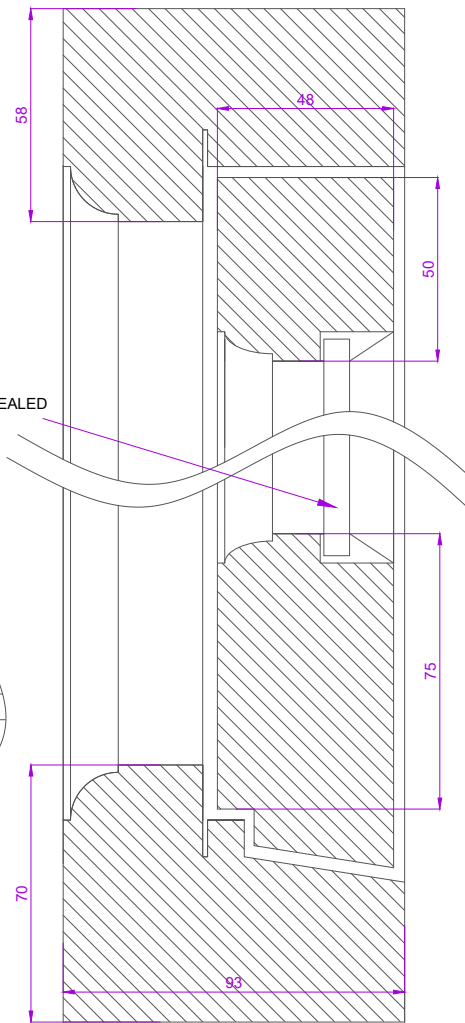
INTERNALLY VIEWED
SCALE 1:10 ON A3



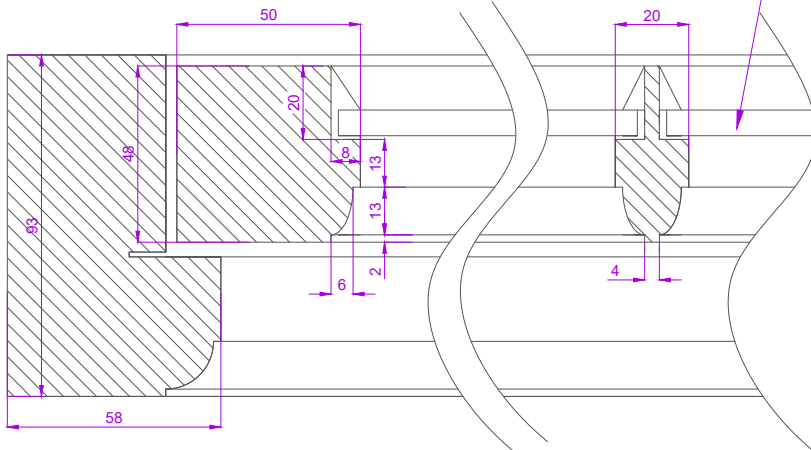
| | |
|--|------------|
| JOHNSON | |
| JOB NO: 33021 | |
| SHEET 2 OF 3 | |
| Drawn by | C JEWISS |
| Scale | 1:10 at A3 |
| Issue No | 01 |
| Date: | MAR 2019 |
| Material: See sheet 1 | |
| Finish - Int:See sheet 1 Ext:See sheet 1 | |
| Glass - See sheet 1 | |
| The Sash Window Workshop 4 Kiln lane, Bracknell, Berkshire RG12 1NA tel: +44 (0)1344 868668 fax: +44 (0)1344 868858 email: jewiss@sashwindow.com | |
| SECOND FLOOR RHS BEDROOM 2 | |
| ITEM 7 | |



SECTION THROUGH FRAME HEAD AND CILL
SCALE 1:1 ON A3



SECTION THROUGH FRAME JAMB AND GLAZING BAR
SCALE 1:1 ON A3



| | |
|---|-----------|
| JOHNSON | |
| JOB NO: 33021 | |
| SHEET 3 OF 3 | |
| Drawn by | C JEWISS |
| Scale | 1:1 at A3 |
| Issue No | 01 |
| Date: | MAR 2019 |
| Material - See sheet 1 | |
| Finish - Int:See sheet 1 Ext:See sheet 1 | |
| Cill Finish: | |
| Glass - See sheet 1 | |
| The Sash Window Workshop 4 Kiln lane, Bracknell, Berkshire RG12 1NA tel: +44 (0)1344 868668 fax: +44 (0)1344 868858 email: jewisso@sashwindow.com | |
| SECOND/THIRD FLOOR RHS BEDROOM 2/ SITTING ROOM | |
| ITEM 7 & 9 | |