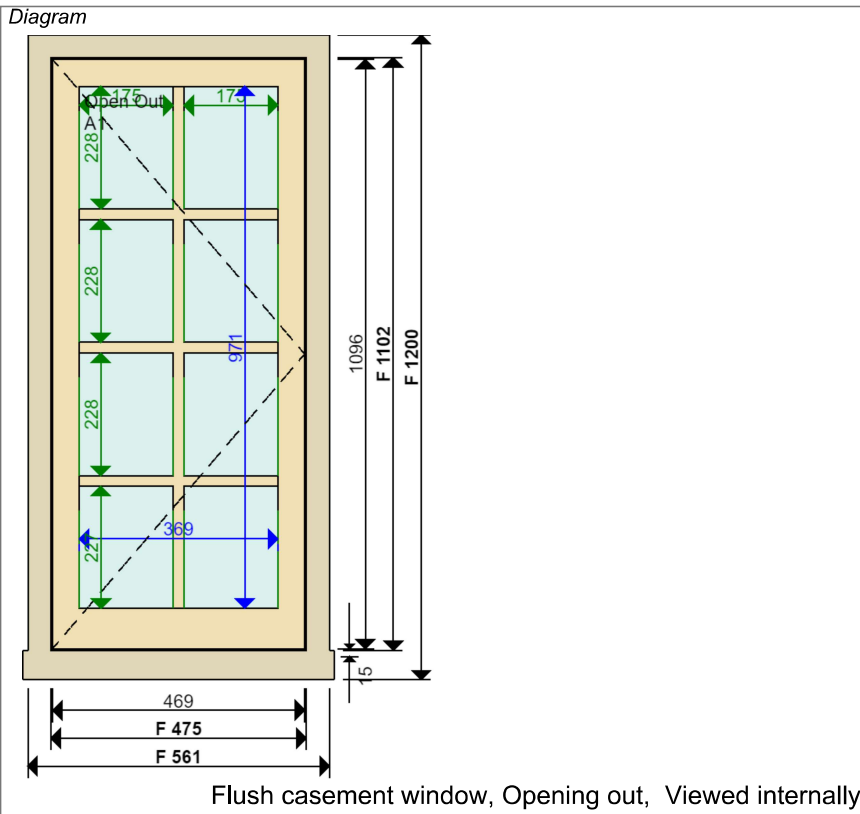


JOINERY DETAIL SHEET

1 Complete New Flush Casement Window (Non DocL)

Customer	Johnson	Job No	D33021	Item No	5	Sheet	1 of 3
----------	----------------	--------	---------------	---------	----------	-------	---------------



Sectional Details

Frame Stop	Ovolo
Finished Frame Head	93 x 58 mm
Finished Frame Jamb	93 x 58 mm
Finished Cill	93 x 70 mm (10 mm horn)
Sash Head	50 mm
Sash Stile	50 mm
Sash Btm Rail (int)	75 mm Stepped
Sash Thickness	48 mm

Location

First Floor RHS Bathroom

Glazing Bar	20 mm with 4 mm Nib
Profile	Ovolo
Moulding Cutter	6 x 13 with 16 mm shoulder
Glazing Rebate	8 x 17 mm

Material

**Accoya sashes,
Accoya frame, Hardwood cill**

Quantity

1

Ironmongery

- 1 x Casement Stay Pin Locking BA
- 1 x Casement Window Lock White
- 1 x Egress Casement Lock BA Matt Black
- 3 x Hinge Butt SC 3 inch
- 1 x Lock Chubb Window Key

Glazing

Single Glazed

Case 4mm Stippolyte Float

Dry Seal White Tape Internally

Paint Finish

Internal Standard White

External Standard White

Production Notes

2 | 13 | 16 | 17

Installation Notes

Installed: Internally

1. TRY NOT TO DAMAGE TILES ON REMOVAL OF FRAME.
2. CEMENT FILLET EXTERNALLY. ACRYLIC SEAL INTERNALLY.
3. FIT DRIP.
4. TRANSFER STAY AND HANDLE.

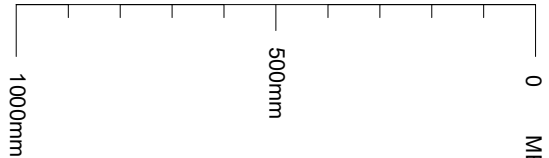
Job Tracking

Order received: 26-02-2019	Print date: 23-04-2019
Sold by: David Farebrother	Last modified by: Chris Jewiss
Surveyed by: Chris Jewiss	Last modified date: 23-04-2019

Internal Hazard: Item Over Bath

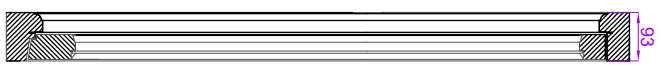
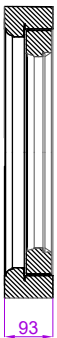
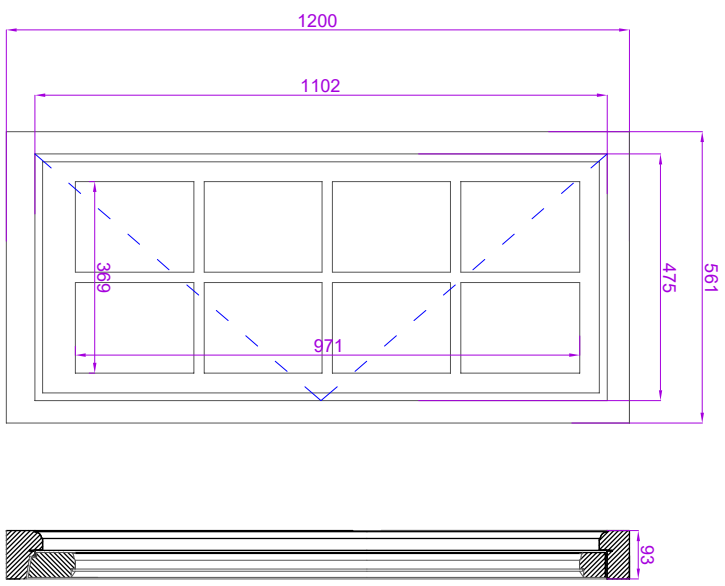
External Access: Scaffold by Customer

METRIC SCALE 1:10 ON A3



INTERNALLY VIEWED

SCALE 1:10 ON A3



JOHNSON
JOB NO: 33021
SHEET 2 OF 3

Drawn by	C JEWISS
Scale	1:10 at A3
Issue No	01
Date:	MAR 2019

Material: See sheet 1

Finish - Int: See sheet 1
Ext: See sheet 1

Call Finish:
Glass - See sheet 1

The Sash Window Workshop
4 Kiln Lane,
Bracknell,
Berkshire RG12 1NA
Tel: +44 (0)1344 868668
Fax: +44 (0)1344 868658
email: jewiss@sashwindow.com

FIRST FLOOR
RHS ELEVATION
BATHROOM
ITEM 5

0 METRIC SCALE 1:1 ON A3

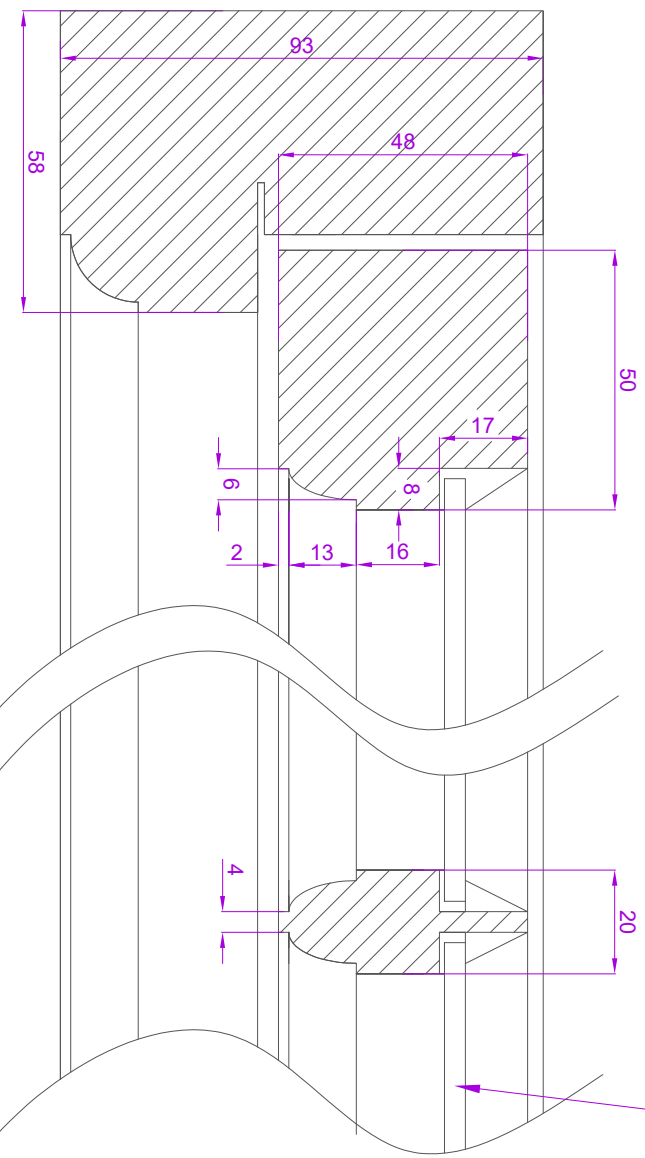
50mm

100mm

SECTION THROUGH FRAME HEAD AND CILL

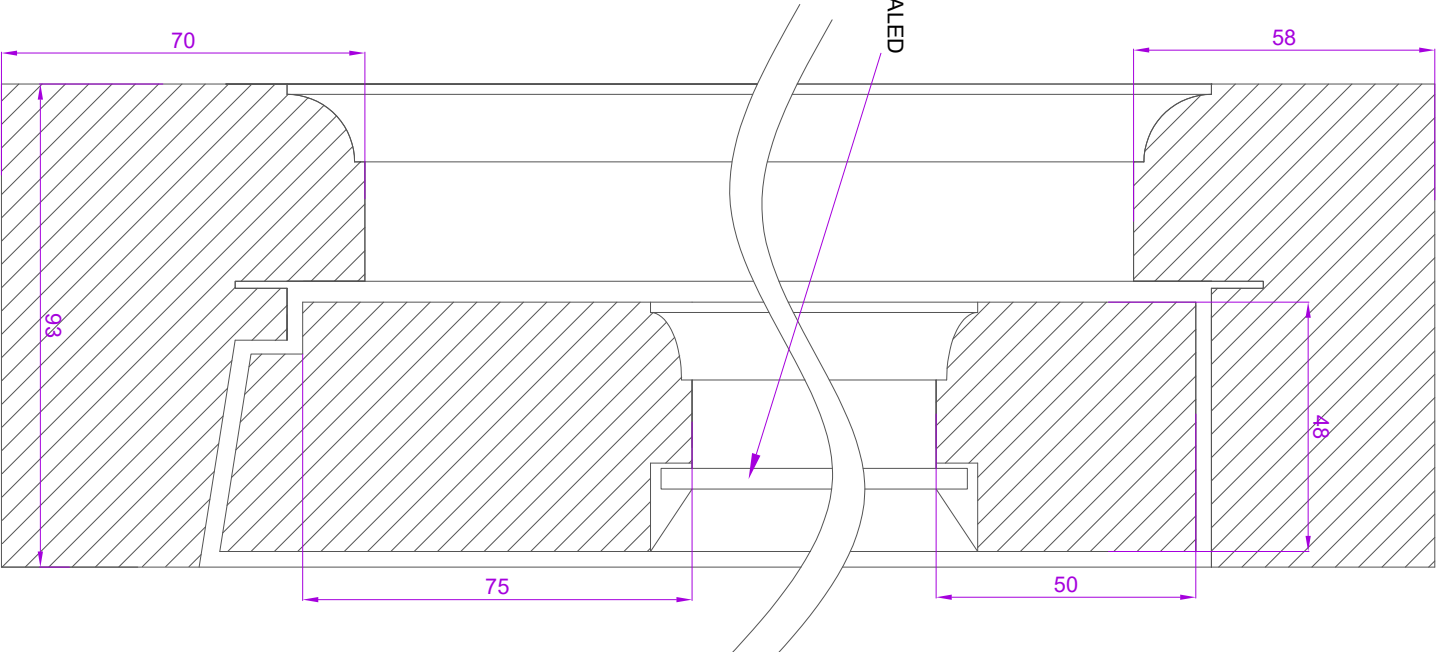
SCALE 1:1 ON A3

4mm STIPPOLYTE FLOAT GLASS DRY SEALED



SECTION THROUGH FRAME JAMB AND GLAZING BAR

SCALE 1:1 ON A3



JOHNSON
JOB NO: 33021
SHEET 3 OF 3

Drawn by C JEWISS
Scale 1:1 at A3
Issue No 01
Date: MAR 2019

Material: See sheet 1

Finish - Int: See sheet 1
Ext: See sheet 1

Call Finish:
Glass - See sheet 1

The Sash Window Workshop
4 Kiln Lane,
Bracknell,
Berkshire RG12 1NA
Tel: +44 (0)1344 868668
fax: +44 (0)1344 868658
email: jewiss@sashwindow.com

FIRST FLOOR
FRONT/RHS ELEVATION
BATHROOM
ITEM 4 & 5