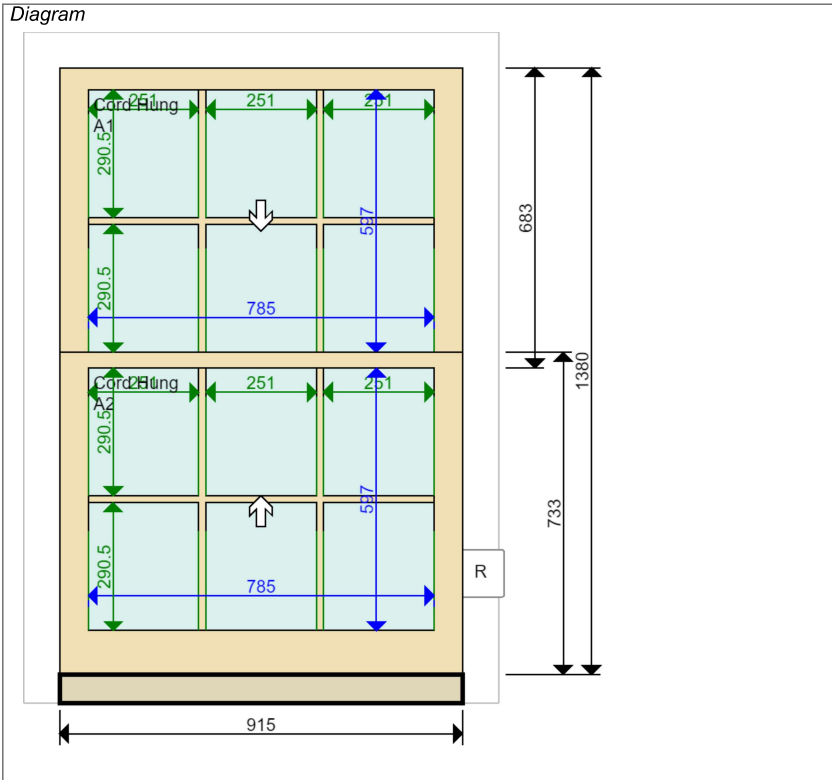


JOINERY DETAIL SHEET

1 Pair of Sashes to Cord Hung Sash Window

<i>Customer</i> Johnson	<i>Job No</i> D33021	<i>Item No</i> 2	<i>Sheet</i> 1 of 3
-----------------------------------	--------------------------------	----------------------------	-------------------------------



Sectional Details

Sash Head	50 mm	
Sash Stile	65 mm	
Sash Btm Rail (int)	100 mm	Square
Sash Midrail	36 mm	
Sash Thickness	43 mm	
Top Sash Horn	No horn	
Btm Sash Horn	No horn	

Location
Ground Floor Front Living Room

Glazing Bar	16 mm with 4 mm Nib
Profile	Lambs Tongue
Moulding Cutter	6 x 10 with 10 mm shoulder
Glazing Rebate	8 x 21 mm

Material
Accoya

Quantity
1 Pair

Ironmongery

Glazing

Single Glazed

Top 6.4mm Clear Laminate

Btm 6.4mm Clear Laminate

Dry Seal White Tape Internally

Paint Finish

Internal Standard White

External Standard White

Production Notes
SALES: Template includes EGRESS ROLAS

23.9 lb, 26.1 lb (1 1/2 inch lead) 2 | 10 | 10 | 21

Installation Notes

Installed: Internally

1. OUT OF SQ VERTICAL +20mm.
2. FIT NEW CILL AND SPLICE REPAIR RHS PULLEY STILE. PLEASE NOTE CAST IRON BALUSTRADE SUPPORT PARTIALLY RUNS THRU CILL.
3. BT BOX LHS TAKE CARE, CABLE TO BE REROUTED.

Job Tracking ⚠

Order received: 26-02-2019 Print date: 09-08-2019

Sold by: David Farebrother Last modified by: Chris Jewiss

Surveyed by: Chris Jewiss Last modified date: 09-08-2019

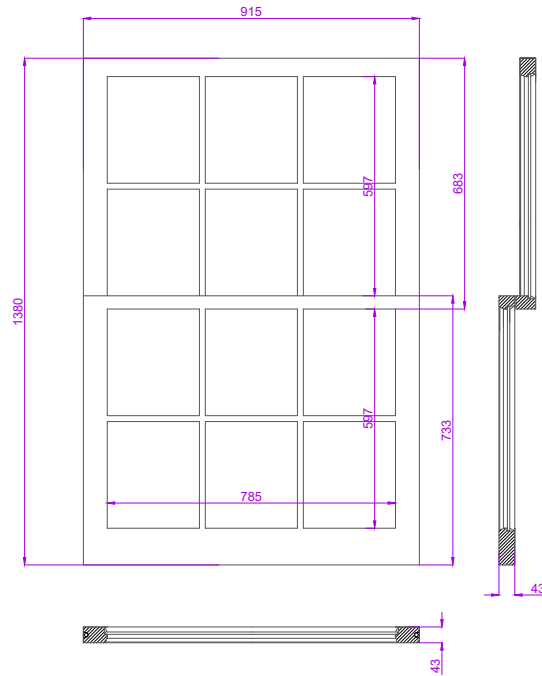
Cable Alarm: Customer to Remove

0 METRIC SCALE 1:10 ON A3

500mm

1000mm

INTERNALLY VIEWED
SCALE 1:10 ON A3



JOHNSON

JOB NO: 33021

SHEET 2 OF 3

Drawn by C JEWISS
Scale 1:10 at A3
Issue No 01
Date: MAR 2019

Material: See sheet 1

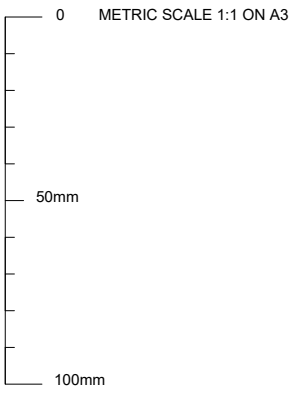
Finish - Int: See sheet 1
Ext: See sheet 1

Cill Finish:
Glass - See sheet 1

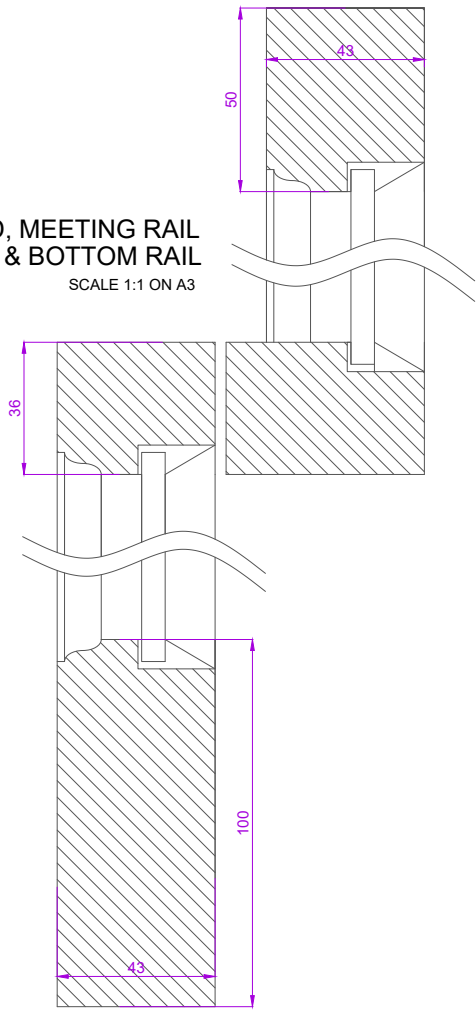
The Sash Window Workshop
4 Kiln lane,
Bracknell,
Berkshire RG12 1NA
tel: +44 (0)1344 868668
fax: +44 (0)1344 868858
email: jewiss@sashwindow.com

**GROUND FLOOR
FRONT ELEVATION
LIVING ROOM**

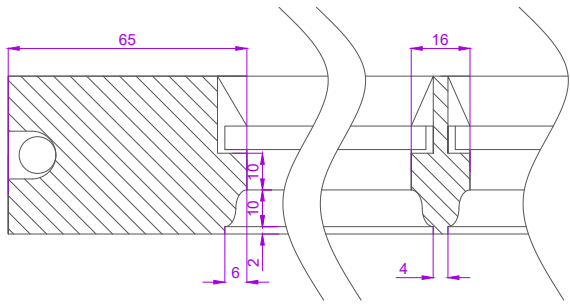
ITEM 2



SECTION THROUGH HEAD, MEETING RAIL & BOTTOM RAIL
SCALE 1:1 ON A3



SECTION THROUGH STILE & GLAZING BAR
SCALE 1:1 ON A3



JOHNSON
JOB NO: 33021
SHEET 2 OF 3

Drawn by C JEWISS
Scale 1:10 at A3
Issue No 01
Date: MAR 2019

Material: See sheet 1

Finish - Int: See sheet 1
Ext: See sheet 1

Cill Finish:
Glass - See sheet 1

The Sash Window Workshop
4 Kiln lane,
Bracknell,
Berkshire RG12 1NA
tel: +44 (0)1344 868668
fax: +44 (0)1344 868858
email: jewiss@sashwindow.com

**GROUND FLOOR
FRONT ELEVATION
LIVING ROOM**

ITEM 2