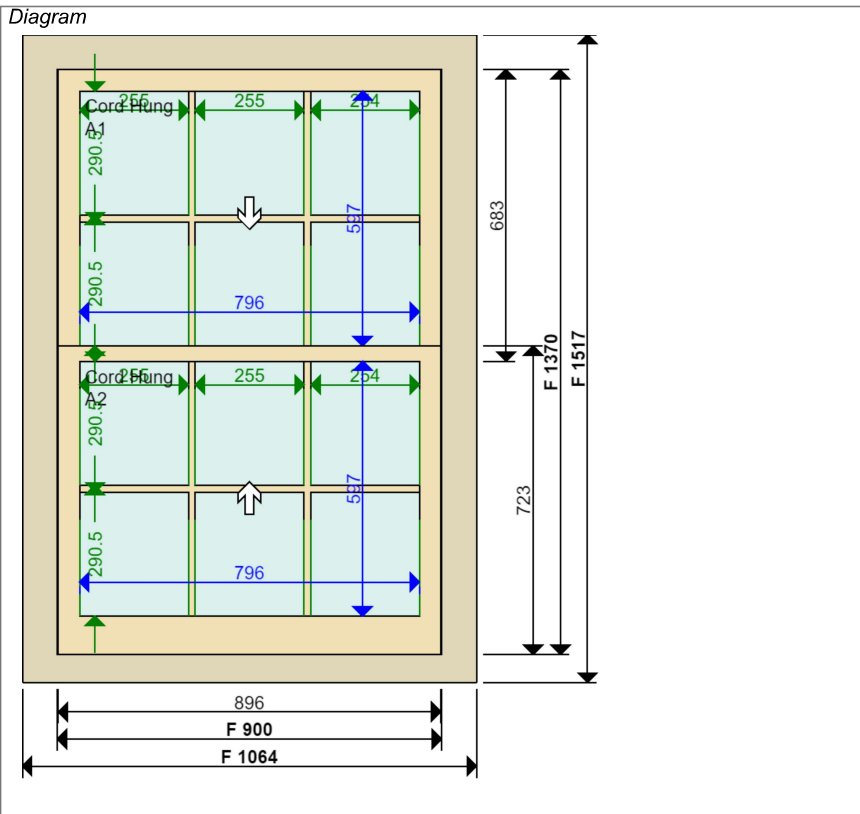


JOINERY DETAIL SHEET

1 Complete New Cord Hung Single Box Sash Window (Non DocL)

<i>Customer</i> Johnson	<i>Job No</i> D33021	<i>Item No</i> 6	<i>Sheet</i> 1 of 4
-----------------------------------	--------------------------------	----------------------------	-------------------------------



Sectional Details

	Frame in Kit Form
Finished Frame Head	126 x 82 mm
Finished Frame Jamb	126 x 82 mm
Finished Cill	126 x 65 mm
Sash Head	50 mm
Sash Stile	50 mm
Sash Btm Rail (int)	90 mm Square
Sash Midrail	36 mm
Sash Thickness	36 mm
Top Sash Horn	No horn
Btm Sash Horn	No horn

Location
First Floor Front Bedroom 2

Glazing Bar	16 mm with 4 mm Nib
Profile	Lambs Tongue
Moulding Cutter	6 x 8 with 6 mm shoulder
Glazing Rebate	8 x 20 mm

Material
**Accoya sashes,
Accoya frame, Hardwood cill**

Quantity
1

Ironmongery
4 x Pulley Wheel (Brass Wheel) PB

Glazing

	Single Glazed
Top	6.4mm Clear Laminate
Btm	6.4mm Clear Laminate
Dry Seal	White Tape Internally

Paint Finish

Internal	Standard White
External	Standard White

Production Notes
KIT FORM FRAME DUE TO RESTRICTED STAIRWELL ACCESS.

22.1 lb, 23.6 lb (1 1/4 inch lead) 2 | 8 | 6 | 20

Installation Notes

Installed: Internally
[Frame in Kit Form]

1. FIT ON SAME LINE AS EXISTING.
2. PLEASE USE BRACE BAR AND HARNESS, LOW WINDOW.
3. FIT ARCHITRAVES, PACKERS & WINDOWBOARD.
4. TRANSFER CATCH.

Job Tracking ⚠

Order received: 26-02-2019	Print date: 09-08-2019
Sold by: David Farebrother	Last modified by: Chris Jewiss
Surveyed by: Chris Jewiss	Last modified date: 09-08-2019

Internal Access: **Brace Bar & Harness**

JOHNSON

JOB NO: 33021

SHEET 2 OF 4

Drawn by C JEWISS
Scale 1:10 at A3
Issue No 01
Date: MAR 2019

Material: See sheet 1

Finish - Int: See sheet 1
Ext: See sheet 1

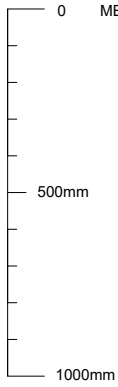
Glass - See sheet 1

The Sash Window Workshop
4 Kiln lane,
Bracknell,
Berkshire RG12 1NA
tel: +44 (0)1344 868668
fax: +44 (0)1344 868858
email: jewiss@sashwindow.com

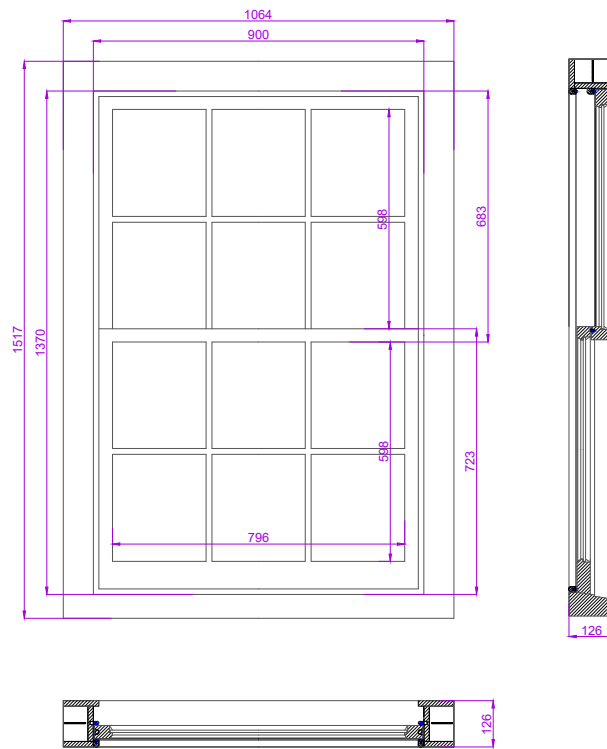
SECOND/THIRD FLOOR
FRONT BEDROOM 2/
SITTING ROOM

ITEM 6 & 8

0 METRIC SCALE 1:10 ON A3



INTERNALLY VIEWED
SCALE 1:10 ON A3



JOHNSON

JOB NO: 33021

SHEET 3 OF 4

Drawn by C JEWISS
Scale 1:1 at A3
Issue No 01
Date: MAR 2019

Material: See sheet 1

Finish - Int: See sheet 1
Ext: See sheet 1

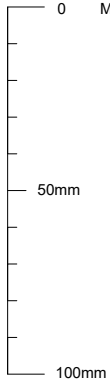
Glass - See sheet 1

The Sash Window Workshop
4 Kiln lane,
Bracknell,
Berkshire RG12 1NA
tel: +44 (0)1344 868668
fax: +44 (0)1344 868858
email: jewiss@sashwindow.com

SECOND/THIRD FLOOR
FRONT BEDROOM 2/
SITTING ROOM

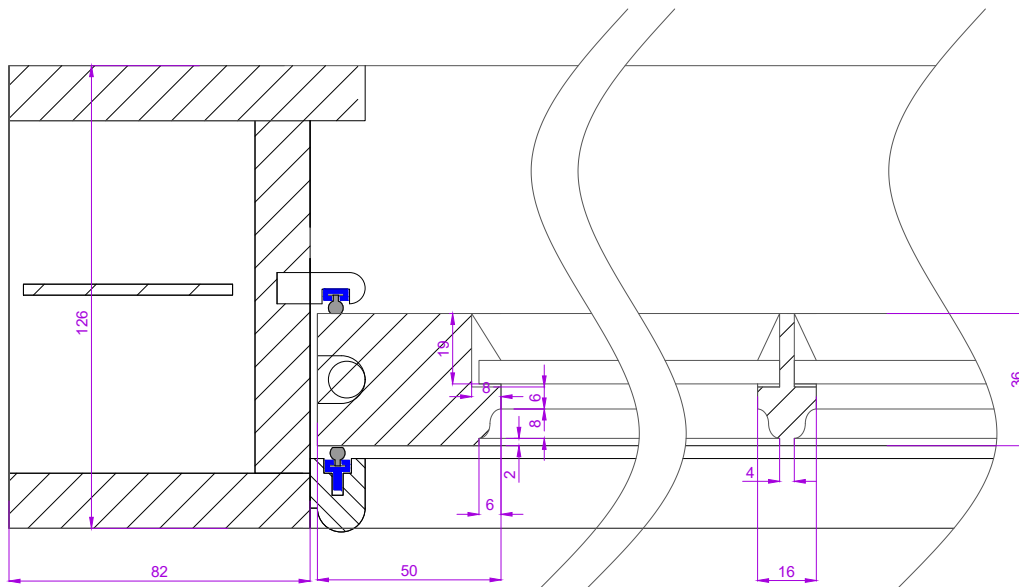
ITEM 6 & 8

0 METRIC SCALE 1:1 ON A3



SECTION THROUGH BOX FRAME & GLAZING BAR

SCALE 1:10 ON A3



JOHNSON
 JOB NO: 33021
 SHEET 4 OF 4

Drawn by: C JEWISS
 Scale: 1:1 at A3
 Issue No: 01
 Date: MAR 2019

Material - See sheet 1

Finish - Int: See sheet 1
 Ext: See sheet 1

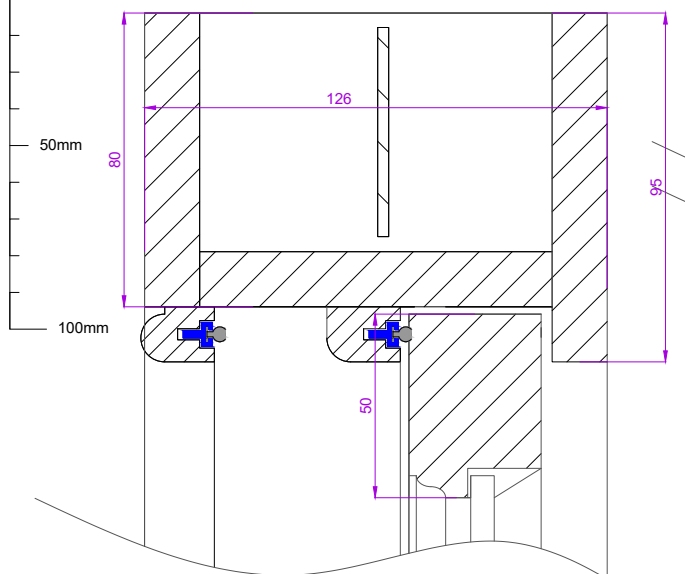
Glass - See sheet 1

The Sash Window Workshop
 4 Kiln lane,
 Bracknell,
 Berkshire RG12 1NA
 tel: +44 (0)1344 868668
 fax: +44 (0)1344 868858
 email: jewisso@sashwindow.com

SECOND/THIRD FLOOR
 FRONT BEDROOM 2/
 SITTING ROOM

ITEM 6 & 8

0 METRIC SCALE 1:1 ON A3



SECTION THROUGH MEETING RAIL
 AND CILL
 SCALE 1:10 ON A3

