

CONDENSING UNIT SPECIFICATION SHEET

Condensing Unit Details

Model JEHR-0100-B1-M-1
 Application Medium Temperature

Electrical Supply

230V / 1Ph / 50Hz

Weights & Dimensions

Width 876 mm
 Depth 420 mm
 Height 607 mm
 Mounting Dims. 545 mm (W) x 400 mm (D)
 Weight (Dry) 54 kgs

Compressor Data

Type CAJ9510Z
 Swept Volume 3.18 m³/h
 Oil Charge 0.89 litres
 Nom. Current (A) 3.9
 MCC (A) 8.4
 LRC (A) 30.0

Fan Motors

No. 1
 FLC (A) 0.4

Condenser Coil

Type Microchannel
 Volume 0.44 litres

Liquid Receiver

Volume 1.2 litres

Airflow

Volume 1300 m³/h

Applicable Refrigerants

R404A/R407A/R407F/R449A

Unit Connections

Liquid 3/8"
 Suction 1/2"

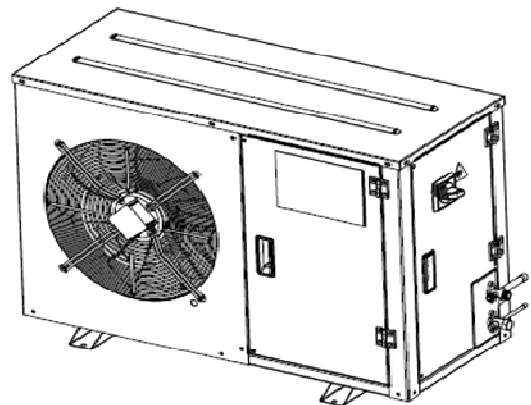
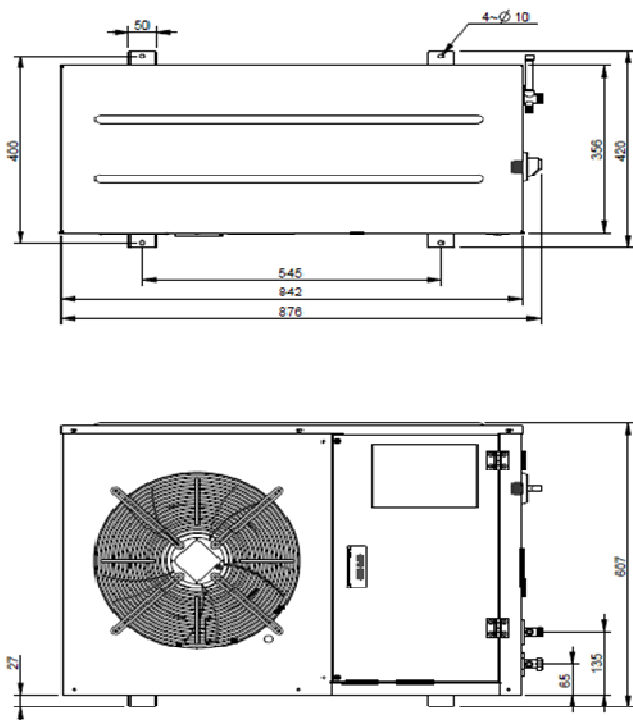
Sound Pressure Level @ 10m (-10°C/+32°C)

28 dB(A)

Performance Data at -10°C/+32°C Conditions

	CC (W)	PC (W)	COP	SEPR
R404A	1495	927	1.61	n/a
R407A	1192	841	1.42	n/a
R407F	1261	834	1.51	n/a
R449A	1252	862	1.45	n/a

1/1 Octave Sound Pressure Levels @ 1 meter from the unit							
Frequency							
125 Hz	250 Hz	500 Hz	1 kHz	2 kHz	4 kHz	8 kHz	A (dBA)
54.7	52.4	48.4	44.0	37.3	28.4	27.2	48.2



Product Information based on the requirements of Commission Regulation EU 2015/1095

Model : JEHR-0100-B1-M-1

Refrigerant fluid:		R404A	R407A	R407F	R449A	
Item	Symbol	Value				Unit
Evaporating temperature*	t	-10				°C
Parameters at full load and ambient temperature 32°C						
Rated cooling capacity	P_A	1.50	1.19	1.26	1.25	kW
Rated power input	D_A	0.93	0.84	0.83	0.86	kW
Rated COP	COP_A	1.61	1.42	1.51	1.45	
Parameters at full load and ambient temperature 25°C						
Cooling capacity	P_2	1.64	1.23	1.33	1.40	kW
Power input	D_2	0.88	0.82	0.79	0.83	kW
COP	COP_2	1.87	1.50	1.68	1.68	
Parameters at full load and ambient temperature 43°C						
Cooling capacity	P_3	1.16	N/A	N/A	1.01	kW
Power input	D_3	0.96	N/A	N/A	0.92	kW
COP	COP_3	1.21	N/A	N/A	1.10	
Other items						
Capacity control		Fixed				
Coefficient of degradation for fixed and staged capacity units*	C_d	0.25				
Contact details	Daikin Refrigeration Malaysia Sdn. Bhd. Lot 10, Jalan Perusahaan 8, Kawasan Perusahaan Pekan Banting, 42700 Banting, Selangor Darul Ehsan.					

Note: Published data based on condition - superheat 10K.



6RC0100EM-ABBA-55