

DRAWING NAME	DRAWING No.	09.01.19	22.03.19	04.06.19	13.06.19	19.08.19		
		Issue	Revision	DD	Revision	Revision	Revision	Revision
SITE LOCATION MAPS	CAM0012 01	A1	A2	B1	B2	A3		
EXISTING SITE PLAN	CAM0012 02	A1	A2	B1	B2	A3		
PROPOSED SITE PLAN	CAM0012 03	A1	A2	B1	B2	A3		
EXISTING SITE ELEVATION	CAM0012 04	A1	A2	B1	B2	A3		
PROPOSED SITE ELEVATION	CAM0012 05	A1	A2	B1	B2	A3		
EXISTING ANTENNA & EQUIPMENT LAYOUT	CAM0012 06	A1	A2	B1	B2	A3		
PROPOSED ANTENNA & EQUIPMENT LAYOUT	CAM0012 07	A1	A2	B1	B2	A3		
LEASE DEMISE	CAM0012 08	A1	A2	B1	B2	A3		
ICNIRP ZONES- PLAN LAYOUT	CAM0012 09	-	-	B1	B2	-		
ICNIRP ZONES- ELEVATION LAYOUT	CAM0012 10	-	-	B1	B2	-		
CONSTRUCTION NOTES	CAM0012 11	-	-	B1	B2	-		
ELECTRICAL NOTES	CAM0012 12	-	-	B1	B2	-		
ELECTRICAL SCHEMATIC	CAM0012 13	-	-	B1	B2	-		
EARTHING & LIGHTNING PROTECTION LAYOUT	CAM0012 14	-	-	B1	B2	-		
SAFETY SIGNAGE LAYOUT	CAM0012 15	-	-	B1	B2	-		
REPLACEMENT SUPPORT POLE DETAILS	CAM0012 16	-	-	B1	B2	-		
REPLACEMENT WALL BRACKETS S3 ONLY	CAM0012 17	-	-	B1	B2	-		
PFC OFFSET BRACKET DETAILS	CAM0012 18	-	-	B1	B2	-		
EXISTING EAST SITE ELEVATION	CAM0012 19	-	-	-	-	A3		
PROPOSED EAST SITE ELEVATION	CAM0012 20	-	-	-	-	A3		
EXISTING SOUTH SITE ELEVATION	CAM0012 21	-	-	-	-	A3		
PROPOSED SOUTH SITE ELEVATION	CAM0012 22	-	-	-	-	A3		
EXISTING WEST SITE ELEVATION	CAM0012 23	-	-	-	-	A3		
PROPOSED WEST SITE ELEVATION	CAM0012 24	-	-	-	-	A3		
COMPANY	NAME	Issued	Issued	Issued	Issued	Issued		
HUAWEI	HUAWEI	✓	✓	✓	✓	✓		
UK BROADBAND	UK BROADBAND	✓	✓	✓	✓	✓		



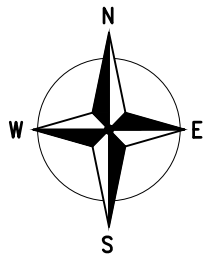
7400 Cambridge Research Park
Beach Drive, Waterbeach
Cambridge
CB25 9TN
Tel: 01223 792150
Fax: 01223 862752
e: info@sitec-is.co.uk
w: www.sitec-is.co.uk

Site Name & Address:

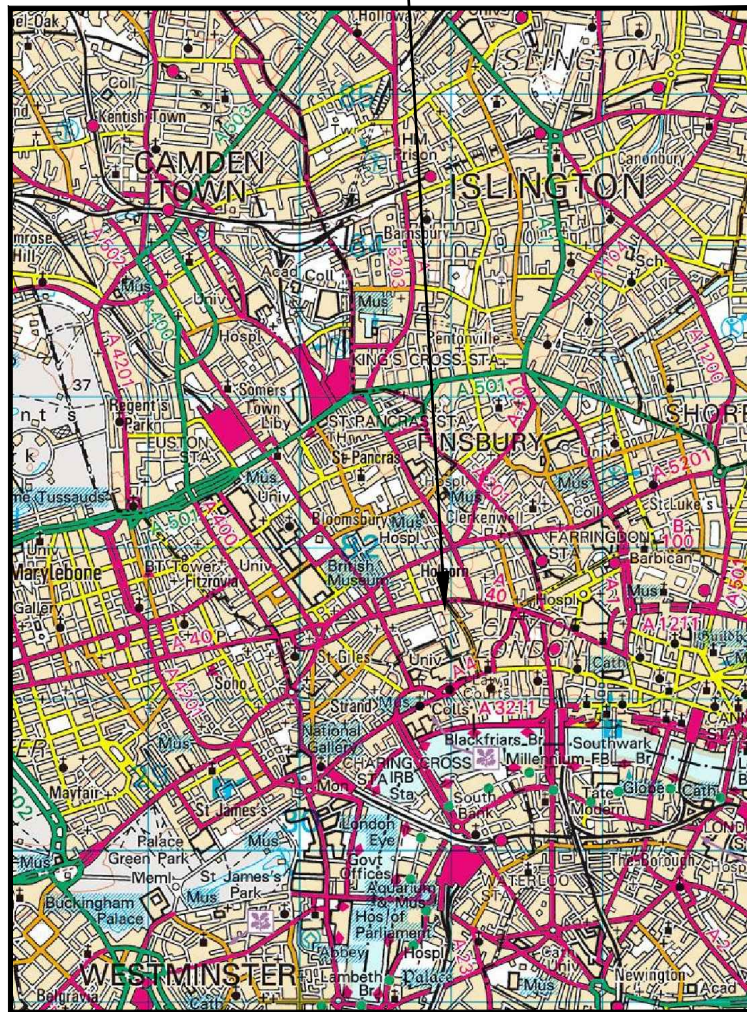
THE DUTCH HOUSE
307 HIGH HOLBORN
HOLBORN
LONDON
WC1V 7LL

UKB CELL ID:
CAM0012

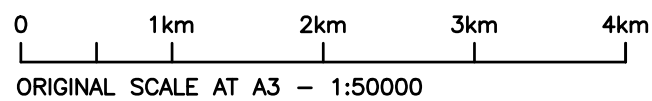
100mm
75mm
50mm
25mm
0mm



SITE LOCATION



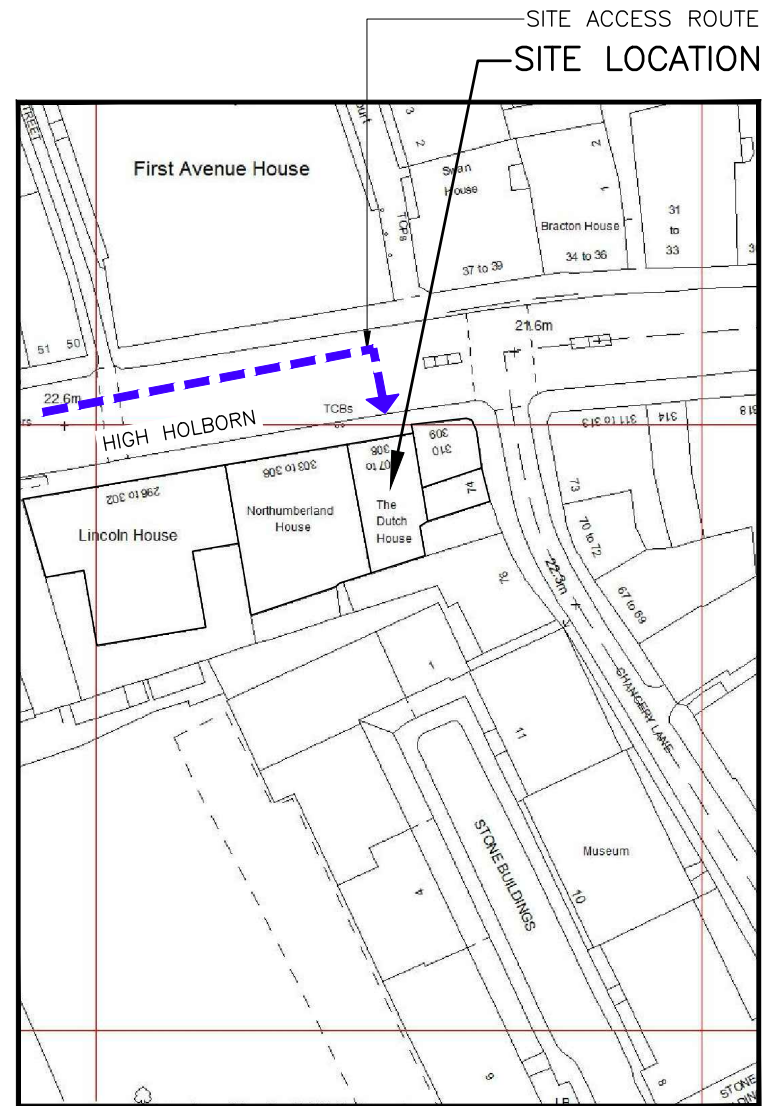
SITE LOCATION PLAN
(Scale 1:50,000)



ORIGINAL SCALE AT A3 - 1:50000

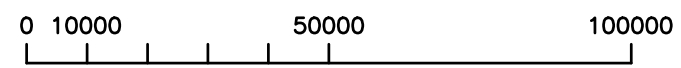


SITE PHOTO



SITE LOCATION PLAN
(Scale 1:1250)

N.G.R. E: 530949, N: 181593
Based upon Ordnance Survey map extract
with the permission of the Controller of
Her Majesty's Stationery Office.
Crown copyright.
Promap Licence No.100035093



ORIGINAL SCALE AT A3 - 1:1250
ALL DIMENSIONS IN MILLIMETRES

- 1 ALL DIMENSIONS ARE IN mm UNLESS NOTED OTHERWISE
- 2 DO NOT SCALE DRAWINGS
- 3 BOXED GREEN TEXT INDICATES PROPOSED WORKS

No.	Revision	By	Ckd	Date
A3	Additional elevations included	WA	RJH	19.08.19
B2	Structural Calcs Pass added	RJH	RJH	13.06.19
B1	Issued For Construction	WA	RJH	04.06.19
A2	Demise Area Revised	NTA	TM	22.03.19
A1	Preliminary Issue For Comment	NTA	TM	09.01.19



7400 Cambridge Research Park
Beach Drive, Waterbeach
Cambridge
CB25 9TN
Tel: 01223 792150
Fax: 01223 862752
e: info@sitec-is.co.uk
w: www.sitec-is.co.uk

Site Name & Address:

THE DUTCH HOUSE
307 HIGH HOLBORN
HOLBORN
LONDON
WC1V 7LL

Drawing Title: SITE LOCATION PLAN

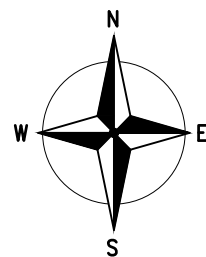
Purpose of Issue: PLANNING

Drawing No: CAM0012 01

UKB CELL ID: CAM0012

Scale: As Shown	Drawn: WA	Date: 04.06.19	Issue:
Checked: RJH	Date: 04.06.19	Approved: TM	Date: 04.06.19

A3



EQUIPMENT SCHEDULE				
MANUFACTURER	TYPE	SIZE	COLOUR	NOTES
HUAWEI	APM-30H	600x480x700mm	GREY	TO BE REMOVED

DISH KEY				
DISH REF	DISH DIA	BEARING	HEIGHT TO CENTER (AGL)	LINK No.
D-1-1	300Ø	36°	32.0m	CAM0012-ISL1001
D-2-2	300Ø	TBC°	32.0m	FUTURE PROPOSED

GROUND LEVEL
00.0m

EXISTING ANTENNA KEY				FEEDER KEY			
ANT. REF.	ANTENNA TYPE	BEARING	HEIGHT TO TOP	TYPE	SIZE	LENGTH	No. OF FEEDERS
A1	SL12436A	90°	32.5m	COAX	1/2"	2m	4
B1	SL12436A	190°	32.5m	COAX	1/2"	2m	4
C1	SL12436A	330°	32.5m	COAX	1/2"	2m	4
GPS	HUAWEI GPS	-	32.6m	COAX	RG236	20.0m	1

REMOTE HEAD SCHEDULE						
RJH REF	ANTENNA REF	MANUFACTURER	TYPE	SIZE	FIXING METHOD	FIBRE/DC CABLE LENGTH
RRU1	A1	HUAWEI	3232	356x480x140	POLE MOUNTED	9.0m
RRU2	B1	HUAWEI	3232	356x480x140	POLE MOUNTED	15.0m
RRU3	C1	HUAWEI	3232	356x480x140	POLE MOUNTED	4.0m

POWER SCHEDULE			
TYPE	SUPPLIER	SUPPLY TYPE	LOCATION
LL	-	EXISTING SP&N 20A	D/B WITHIN PLANTROOM

1 ALL DIMENSIONS ARE IN mm UNLESS NOTED OTHERWISE
2 DO NOT SCALE DRAWINGS
3 **BOXED GREEN TEXT INDICATES PROPOSED WORKS**

A3	Additional elevations included	WA	RJH	19.08.19
B2	Structural Calcs Pass added	RJH	RJH	13.06.19
B1	Issued For Construction	WA	RJH	04.06.19
A2	Demise Area Revised	NTA	TM	22.03.19
A1	Preliminary Issue For Comment	NTA	TM	09.01.19

No.	Revision	By	Ckd	Date
-----	----------	----	-----	------



7400 Cambridge Research Park
Beach Drive, Waterbeach
Cambridge
CB25 9TN

sitec
Infrastructure Services Ltd

Tel: 01223 792150
Fax: 01223 862752
e: info@sitec-is.co.uk
w: www.sitec-is.co.uk

Site Name & Address:

THE DUTCH HOUSE
307 HIGH HOLBORN
HOLBORN
LONDON
WC1V 7LL

Drawing Title: EXISTING SITE PLAN

Purpose of Issue: PLANNING

Drawing No: CAM0012 02

UKB CELL ID:
CAM0012

Scale:	As Shown	Drawn:	NTA	Date:	04.06.19	Issue:		
Checked:	RJH	Date:	04.06.19	Approved:	TM	Date:	04.06.19	A3

EXISTING 1100 HIGH FREE STANDING HANDRAIL

EXISTING 2No. VF ANTENNAS MOUNTED ON CLIMBABLE SUPPORT POLE FIXED TO PLANT ROOM WALL

EXISTING UK BROADBAND HUAWEI BTS3900A APM30H ver C CABINET ON CANTILEVERED FRAME

EXISTING 1No. UK BROADBAND ANTENNA MOUNTED ON CLIMBABLE SUPPORT POLE FIXED TO PLANT ROOM WALL. 1No. RRU 3232 MOUNTED TO REAR OF SUPPORT POLE

EXISTING VF ROOF MOUNTED CABLE TRAY

EXISTING WALL MOUNTED AC UNITS

EXISTING 1No. UK BROADBAND GPS ANTENNA MOUNTED ON SUPPORT POLE AND OFFSET BRACKETS

EXISTING 1No. UK BROADBAND ANTENNA MOUNTED ON CLIMBABLE SUPPORT POLE FIXED TO PLANT ROOM WALL. 1No. RRU 3232 MOUNTED TO REAR OF SUPPORT POLE. 1No. 300Ø (D-2-2 @TBC) NOT YET INSTALLED

EXISTING UK BROADBAND 150 WIDE CABLE TRAY LAID FLAT ON ROOF

EXISTING 1100 HIGH FREE STANDING HANDRAIL

ROOF LEVEL
25.2m AGL

EXISTING 2No. VF EQUIPMENT CABINETS ON STEEL GRILLAGE

ROOF LEVEL
28.2m AGL

EXISTING UK BROADBAND 150 WIDE CABLE TRAY FIXED TO PLANT ROOM WALL

EXISTING ROOF ACCESS DOOR

EXISTING 1No. UK BROADBAND 300Ø DISH D-1-1 @36° MOUNTED ON SUPPORT POLE AND OFFSET BRACKETS

EXISTING 1No. UK BROADBAND ANTENNA MOUNTED ON CLIMBABLE SUPPORT POLE FIXED TO PLANT ROOM WALL. 1No. RRU 3232 MOUNTED TO REAR OF SUPPORT POLE

EXISTING SPARE SUPPORT POLE FIXED TO PLANT ROOM WALL

EXISTING RF AERIAL FIXED TO PLANT ROOM WALL

EXISTING 1No. VF ANTENNA MOUNTED ON SUPPORT POLE FIXED TO PLANT ROOM WALL

EXISTING SPARE SUPPORT POLE FIXED TO PLANT ROOM WALL

EXISTING SITE PLAN

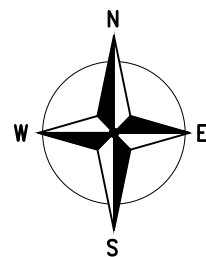
(SCALE: 1:100)

5000 0 5000 10000

ORIGINAL SCALE AT A3 - 1:100

ALL DIMENSIONS IN MILLIMETRES

These drawings comply with Standard ICNIRP guidelines.
Designed in accordance with UK Broadband document: UKB_5GD_DEL_DES_MISC_001



EQUIPMENT SCHEDULE				
MANUFACTURER	TYPE	SIZE	COLOUR	NOTES
HUAWEI	APM-30H	600x480x700mm	GREY	TO BE REMOVED
HUAWEI	APM5930	600x480x1000mm	GREY	POPULATED WITH NEW EQUIPMENT
HUAWEI	IBBS200D	600x480x700mm	GREY	TO BE INSTALLED

DISH KEY				
DISH REF	DISH DIA	BEARING	HEIGHT TO CENTER (AGL)	LINK No.
D-1-1	300Ø	36°	32.0m	CAM0012-ISL1001
D-2-2	300Ø	TBC°	32.0m	FUTURE PROPOSED

GROUND LEVEL
00.0m

NOTE:
EXISTING METREEL INVISIRUNG LADDERS FIXED TO SUPPORT POLES TO BE RE-INSTALLED ON PROPOSED REPLACEMENT SUPPORT POLES & RE-CERTIFIED

EXISTING 2No. VF ANTENNAS MOUNTED ON CLIMBABLE SUPPORT POLE FIXED TO PLANT ROOM WALL

EXISTING 1100 HIGH FREE STANDING HANDRAIL

EXISTING UK BROADBAND HUAWEI BTS3900A APM30H ver C CABINET ON CANTILEVERED STEEL GRILLAGE TO BE REMOVED AND REPLACED WITH PROPOSED HUAWEI APM5930 CABINET & ADJACENT IBBS200D CABINET SIMILAR TO EXISTING (NOTE FRAME ORIGINALLY DESIGNED FOR 2x CABINETS SIDE BY SIDE)

PROPOSED 1No. UK BROADBAND AHP4517R7v06 ANTENNA ON NEW SUPPORT POLE FIXED TO MAIN SUPPORT POLE USING NEW OFFSET BRACKETS SEE DRG CAM0012-18 FOR DETAILS

EXISTING 1No. UK BROADBAND ANTENNA MOUNTED ON CLIMBABLE SUPPORT POLE FIXED TO PLANT ROOM WALL & 1No. RRU 3232 MOUNTED TO REAR OF SUPPORT POLE TO BE REMOVED. PROPOSED 1No. AAU5614 ANTENNA & 3No. RRU'S TO BE MOUNTED ON NEW (REPLACEMENT) SUPPORT POLE NOTE EXISTING WALL BRACKETS TO BE REMOVED AND STUDS BURNT FLUSH TO WALL. 2No PROPOSED WALL BRACKETS TO BE INSTALLED FOR REPLACEMENT MAIN SUPPORT POLE (SECTOR 3 ONLY) SEE DRAWINGS 16+17 FOR DETAILS

EXISTING VF ROOF MOUNTED CABLE TRAY
EXISTING WALL MOUNTED AC UNITS

EXISTING 1No. UK BROADBAND GPS ANTENNA MOUNTED ON SUPPORT POLE AND OFFSET BRACKETS TO BE RELOCATED ONTO NEW SUPPORT POLE

PROPOSED 1No. UK BROADBAND AHP4517R7v06 ANTENNA ON NEW SUPPORT POLE FIXED TO MAIN SUPPORT POLE USING NEW OFFSET BRACKETS SEE DRG CAM0012-18 FOR DETAILS

EXISTING 1No. UK BROADBAND ANTENNA MOUNTED ON CLIMBABLE SUPPORT POLE FIXED TO PLANT ROOM WALL. 1No. RRU 3232 MOUNTED TO REAR OF SUPPORT POLE TO BE REMOVED. PROPOSED 1No. AAU5614 ANTENNA & 3No. RRU'S TO BE MOUNTED ON NEW (REPLACEMENT) SUPPORT POLE FIXED TO EXISTING WALL BRACKETS. SEE DRG CAM0012-16 FOR DETAILS

EXISTING UK BROADBAND 150 WIDE CABLE TRAY LAID FLAT ON ROOF TO BE UTILISED FOR PROPOSED FIBRE/DC CABLING

ROOF LEVEL
28.2m AGL

EXISTING 1100 HIGH FREE STANDING HANDRAIL

NOTE:
ALL EXISTING MAIN ANTENNA SUPPORT POLES TO BE REPLACED WITH NEW LONGER POLES. SEE DRAWING 16 FOR DETAIL. AT SECTORS 1 AND 2 EXISTING WALL BRACKETS TO BE RE-USED. AT SECTOR 3 EXISTING WALL BRACKETS TO BE REPLACED SEE DRAWING 17 FOR DETAIL

PROPOSED ANTENNA KEY				FEEDER KEY			
ANT. REF.	ANTENNA TYPE	BEARING	HEIGHT TO TOP	TYPE	SIZE	LENGTH	No. OF FEEDERS
A1	AAU5614	90°	33.00m	FIBRE/DC	-	15m	2
A2	AHP4517R7v06	90°	33.75m	COAX	1/2"	2m	12
B1	AAU5614	190°	33.00m	FIBRE/DC	-	20m	2
B2	AHP4517R7v06	190°	33.75m	COAX	1/2"	2m	12
C1	AAU5614	330°	33.00m	FIBRE/DC	-	15m	2
C2	AHP4517R7v06	330°	33.75m	COAX	1/2"	2m	12
GPS	HUAWEI GPS	-	33.8m	COAX	RG236	40.0m	1

REMOTE HEAD SCHEDULE						
RJH REF	ANTENNA REF	MANUFACTURER	TYPE	SIZE	FIXING METHOD	FIBRE/DC CABLE LENGTH
RRU1,2,3	A2	HUAWEI	1No. 5501, 2No. 5301	356x480x140	POLE MOUNTED	9.0m
RRU4,5,6	B2	HUAWEI	1No. 5501, 2No. 5301	356x480x140	POLE MOUNTED	15.0m
RRU7,8,9	C2	HUAWEI	1No. 5501, 2No. 5301	356x480x140	POLE MOUNTED	4.0m

POWER SCHEDULE			
TYPE	SUPPLIER	SUPPLY TYPE	LOCATION
LL	-	EXISTING SP&N 20A PROPOSED SP&N 63A	D/B WITHIN PLANTROOM

1 ALL DIMENSIONS ARE IN mm UNLESS NOTED OTHERWISE
2 DO NOT SCALE DRAWINGS
3 **BOXED GREEN TEXT INDICATES PROPOSED WORKS**

NOTE: CABLE TRAY SECTION JOINT SHALL HAVE A SEPARATE EARTH CONTINUITY TAPE ADDED ACROSS JOINT TO ASSURE FULL CONTINUITY

A3	Additional elevations included	WA	RJH	19.08.19
B2	Structural Calcs Pass added	RJH	RJH	13.06.19
B1	Issued For Construction	WA	RJH	04.06.19
A2	Demise Area Revised	NTA	TM	22.03.19
A1	Preliminary Issue For Comment	NTA	TM	09.01.19

No.	Revision	By	Ckd	Date
-----	----------	----	-----	------



7400 Cambridge Research Park
Beach Drive, Waterbeach
Cambridge
CB25 9TN

sitec
Infrastructure Services Ltd

Tel: 01223 792150
Fax: 01223 862752
e: info@sitec-is.co.uk
w: www.sitec-is.co.uk

Site Name & Address:

THE DUTCH HOUSE
307 HIGH HOLBORN
HOLBORN
LONDON
WC1V 7LL

Drawing Title: PROPOSED SITE PLAN

Purpose of Issue: PLANNING

Drawing No: CAM0012 03

UKB CELL ID:
CAM0012

Scale:	As Shown	Drawn:	WA	Date:	04.06.19	Issue:		
Checked:	RJH	Date:	04.06.19	Approved:	TM	Date:	04.06.19	A3

PROPOSED SITE PLAN

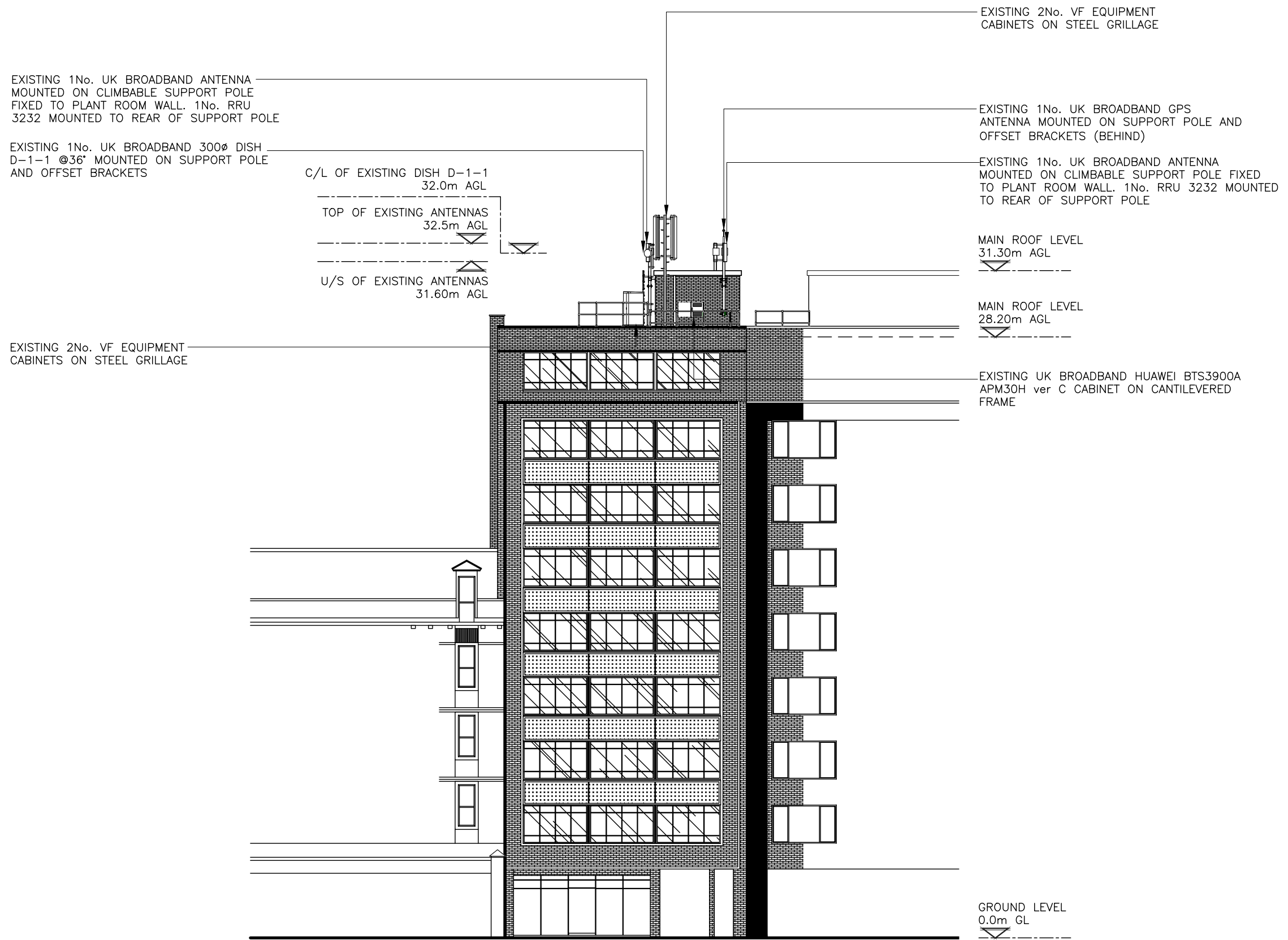
(SCALE: 1:100)

5000 0 5000 10000

ORIGINAL SCALE AT A3 - 1:100

ALL DIMENSIONS IN MILLIMETRES

- 1 ALL DIMENSIONS ARE IN mm UNLESS NOTED OTHERWISE
- 2 DO NOT SCALE DRAWINGS
- 3 BOXED GREEN TEXT INDICATES PROPOSED WORKS



EXISTING NORTH ELEVATION
(SCALE: 1:200)

10000 5000 0 5000 10000 15000 20000

ORIGINAL SCALE AT A3 - 1:200

ALL DIMENSIONS IN MILLIMETRES

These drawings comply with Standard ICNIRP guidelines.
Designed in accordance with UK Broadband document: UKB_5GD_DEL_DES_MISC_001

No.	Revision	By	Ckd	Date
A3	Additional elevations included	WA	RJH	19.08.19
B2	Structural Calcs Pass added	RJH	RJH	13.06.19
B1	Issued For Construction	WA	RJH	04.06.19
A2	Demise Area Revised	NTA	TM	22.03.19
A1	Preliminary Issue For Comment	NTA	TM	09.01.19



7400 Cambridge Research Park
Beach Drive, Waterbeach
Cambridge
CB25 9TN

sitec
Infrastructure Services Ltd

Tel: 01223 792150
Fax: 01223 862752
e: info@sitec-is.co.uk
w: www.sitec-is.co.uk

Site Name & Address:

THE DUTCH HOUSE
307 HIGH HOLBORN
HOLBORN
LONDON
WC1V 7LL

Drawing Title: **EXISTING SITE ELEVATION**

Purpose of Issue: **PLANNING**

Drawing No: **CAM0012 04**

UKB CELL ID:
CAM0012

Scale: As Shown	Drawn: WA	Date: 04.06.19	Issue:
Checked: RJH	Date: 04.06.19	Approved: TM	Date: 04.06.19

A3

1 ALL DIMENSIONS ARE IN mm UNLESS NOTED OTHERWISE
 2 DO NOT SCALE DRAWINGS
 3 **BOXED GREEN TEXT INDICATES PROPOSED WORKS**

EXISTING 1No. UK BROADBAND 300Ø DISH D-1-1 @36° TO BE REPLACED WITH PROPOSED 1No. 300Ø 1+0 DISH MOUNTED ON EXISTING SUPPORT POLE AND OFFSET BRACKETS

PROPOSED 1No. UK BROADBAND AHP4517R7v06 ANTENNA ON NEW SUPPORT POLE FIXED TO MAIN SUPPORT POLE USING NEW OFFSET BRACKETS SEE DRG CAM0012-18 FOR DETAILS

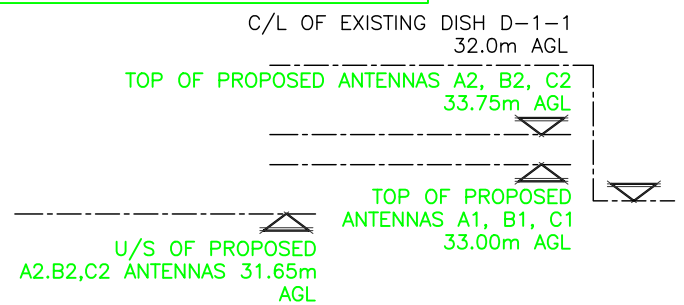
EXISTING 1No. UK BROADBAND ANTENNA MOUNTED ON CLIMBABLE SUPPORT POLE FIXED TO PLANT ROOM WALL. 1No. RRU 3232 MOUNTED TO REAR OF SUPPORT POLE TO BE REMOVED. PROPOSED 1No. AAU5614 ANTENNA & 3No. RRU'S TO BE MOUNTED ON NEW SUPPORT POLE FIXED TO EXISTING WALL BRACKETS. SEE DRG CAM0012-16 FOR DETAILS

EXISTING 2No. VF EQUIPMENT CABINETS ON STEEL GRILLAGE

PROPOSED 1No. UK BROADBAND AHP4517R7v06 ANTENNA ON NEW SUPPORT POLE FIXED TO MAIN SUPPORT POLE USING NEW OFFSET BRACKETS SEE DRG CAM0012-18 FOR DETAILS

EXISTING 1No. UK BROADBAND ANTENNA MOUNTED ON CLIMBABLE SUPPORT POLE FIXED TO PLANT ROOM WALL & 1No. RRU 3232 MOUNTED TO REAR OF SUPPORT POLE TO BE REMOVED. PROPOSED 1No. AAU5614 ANTENNA & 3No. RRU'S TO BE MOUNTED ON NEW (REPLACEMENT) SUPPORT POLE NOTE EXISTING WALL BRACKETS TO BE REMOVED AND STUDS BURNT FLUSH TO WALL. 2No PROPOSED WALL BRACKETS TO BE INSTALLED FOR REPLACEMENT MAIN SUPPORT POLE (SECTOR 3 ONLY) SEE DRAWINGS 16+17 FOR DETAILS

EXISTING 1No. UK BROADBAND GPS ANTENNA MOUNTED ON SUPPORT POLE AND OFFSET BRACKETS TO BE RELOCATED ONTO NEW SUPPORT POLE (BEHIND)



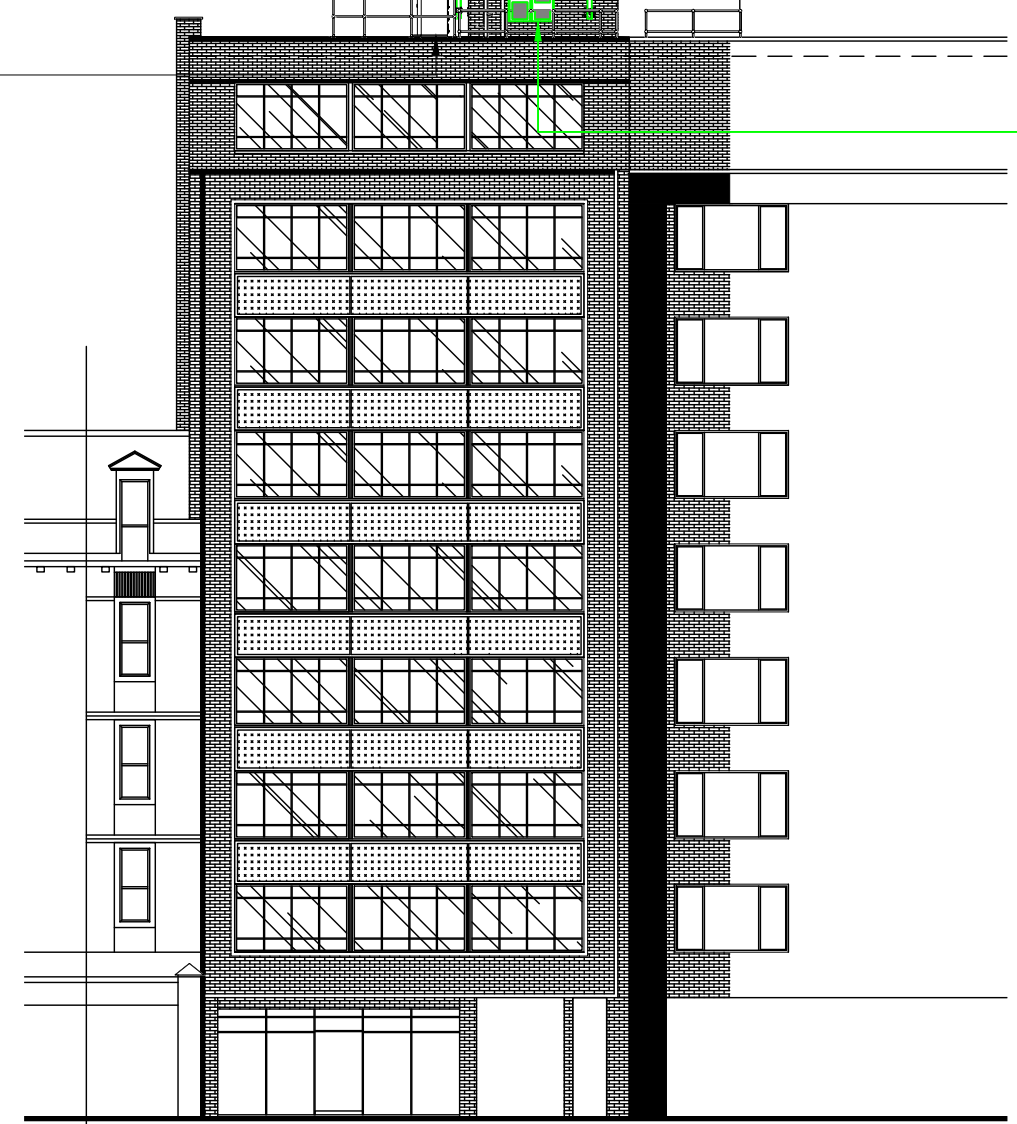
EXISTING 2No. VF EQUIPMENT CABINETS ON STEEL GRILLAGE

MAIN ROOF LEVEL 31.30m AGL

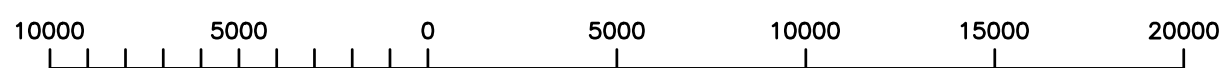
MAIN ROOF LEVEL 28.20m AGL

EXISTING UK BROADBAND HUAWEI BTS3900A APM30H ver C CABINET ON CANTILEVERED STEEL GRILLAGE TO BE REMOVED AND REPLACED WITH PROPOSED HUAWEI APM5930 CABINET & IBBS200D CABINET ON CANTILEVERED FRAME

NOTE:
 EXISTING METREEL INVISIRUNG LADDERS FIXED TO SUPPORT POLES TO BE RE-INSTALLED ON PROPOSED SUPPORT POLES & RE-CERTIFIED



PROPOSED NORTH ELEVATION
 (SCALE: 1:200)



ORIGINAL SCALE AT A3 - 1:200

ALL DIMENSIONS IN MILLIMETRES

A3	Additional elevations included	WA	RJH	19.08.19
B2	Structural Calcs Pass added	RJH	RJH	13.06.19
B1	Issued For Construction	WA	RJH	04.06.19
A2	Demise Area Revised	NTA	TM	22.03.19
A1	Preliminary Issue For Comment	NTA	TM	09.01.19
No.	Revision	By	Ckd	Date



7400 Cambridge Research Park
 Beach Drive, Waterbeach
 Cambridge
 CB25 9TN
 Tel: 01223 792150
 Fax: 01223 862752
 e: info@sitec-is.co.uk
 w: www.sitec-is.co.uk

Site Name & Address:
 THE DUTCH HOUSE
 307 HIGH HOLBORN
 HOLBORN
 LONDON
 WC1V 7LL

Drawing Title: PROPOSED SITE ELEVATION

Purpose of Issue: PLANNING

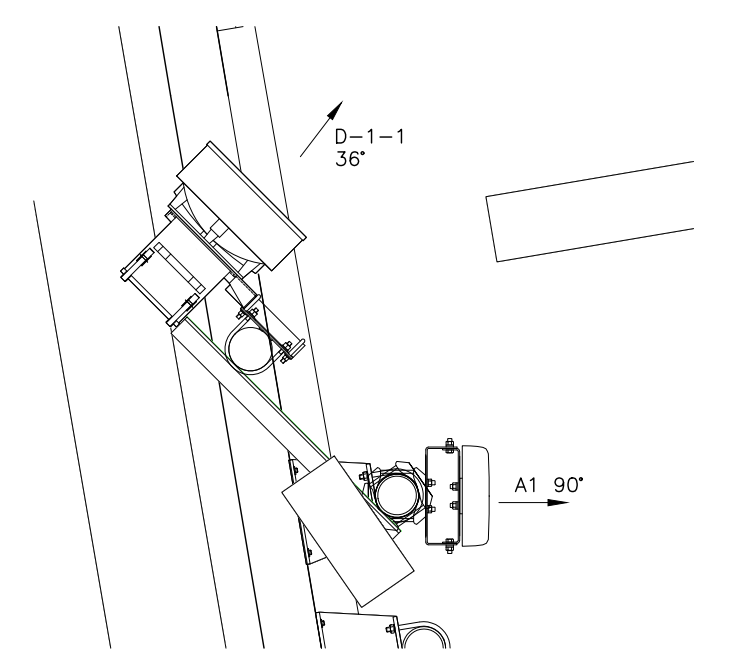
Drawing No: CAM0012 05

UKB CELL ID:
 CAM0012

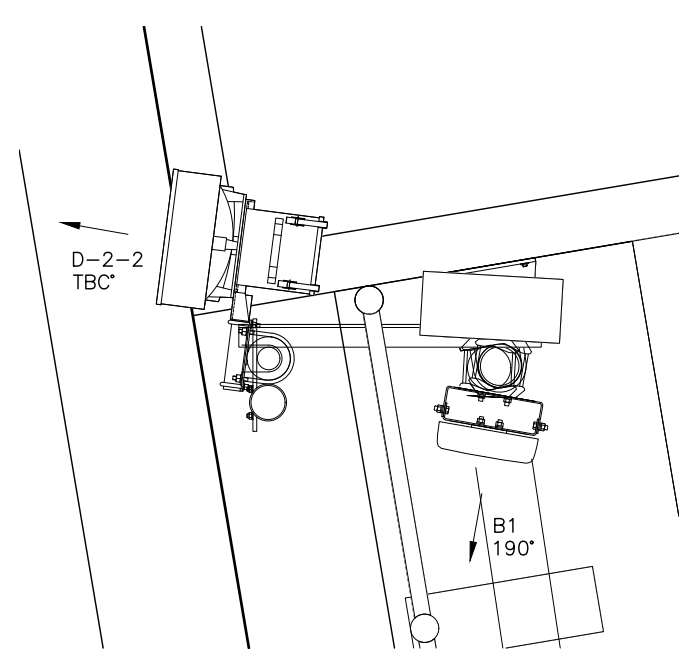
Scale:	As Shown	Drawn:	WA	Date:	04.06.19	Issue:	
Checked:	RJH	Date:	04.06.19	Approved:	TM	Date:	04.06.19

100mm
75mm
50mm
25mm
0mm

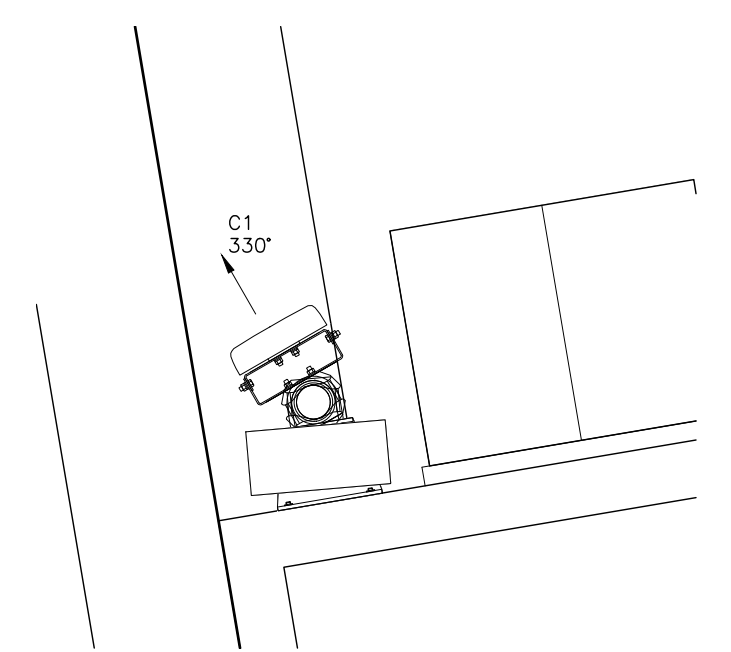
1 ALL DIMENSIONS ARE IN mm UNLESS NOTED OTHERWISE
 2 DO NOT SCALE DRAWINGS
 3 **BOXED GREEN TEXT INDICATES PROPOSED WORKS**



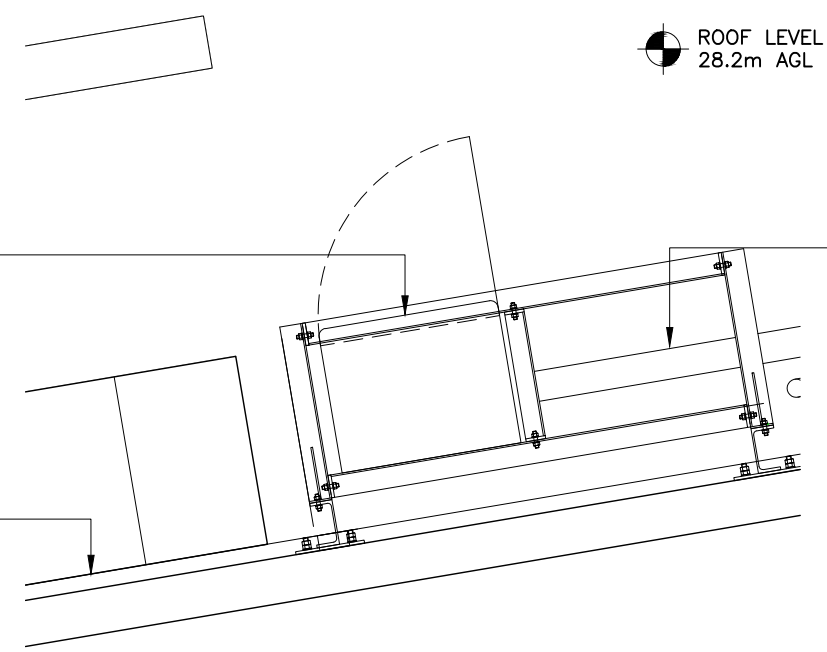
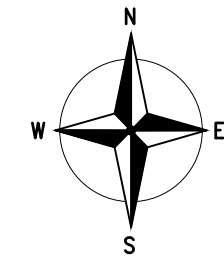
EXISTING ANTENNA PLAN – SECTOR 1
(SCALE 1:20)



EXISTING ANTENNA PLAN – SECTOR 2
(SCALE 1:20)



EXISTING ANTENNA PLAN – SECTOR 3
(SCALE 1:20)



EXISTING EQUIPMENT LAYOUT
(SCALE 1:20)



ORIGINAL SCALE AT A3 – 1:20 ALL DIMENSIONS IN MILLIMETRES

A3	Additional elevations included	WA	RJH	19.08.19
B2	Structural Calcs Pass added	RJH	RJH	13.06.19
B1	Issued For Construction	WA	RJH	04.06.19
A2	Demise Area Revised	NTA	TM	22.03.19
A1	Preliminary Issue For Comment	NTA	TM	09.01.19
No.	Revision	By	Ckd	Date



sitec
Infrastructure Services Ltd

7400 Cambridge Research Park
Beach Drive, Waterbeach
Cambridge
CB25 9TN

Tel: 01223 792150
Fax: 01223 862752
e: info@sitec-is.co.uk
w: www.sitec-is.co.uk

Site Name & Address:
 THE DUTCH HOUSE
 307 HIGH HOLBORN
 HOLBORN
 LONDON
 WC1V 7LL

Drawing Title: EXISTING EQUIPMENT LAYOUT

Purpose of Issue: PLANNING

Drawing No: CAM0012 06

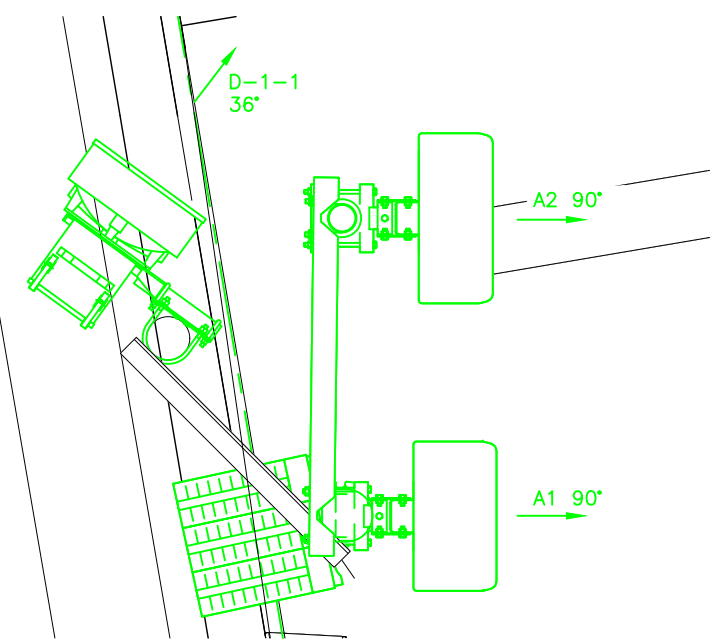
UKB CELL ID:
CAM0012

Scale: As Shown	Drawn: WA	Date: 04.06.19	Issue:
Checked: RJH	Date: 09.01.19	Approved: TM	Date: 04.06.19

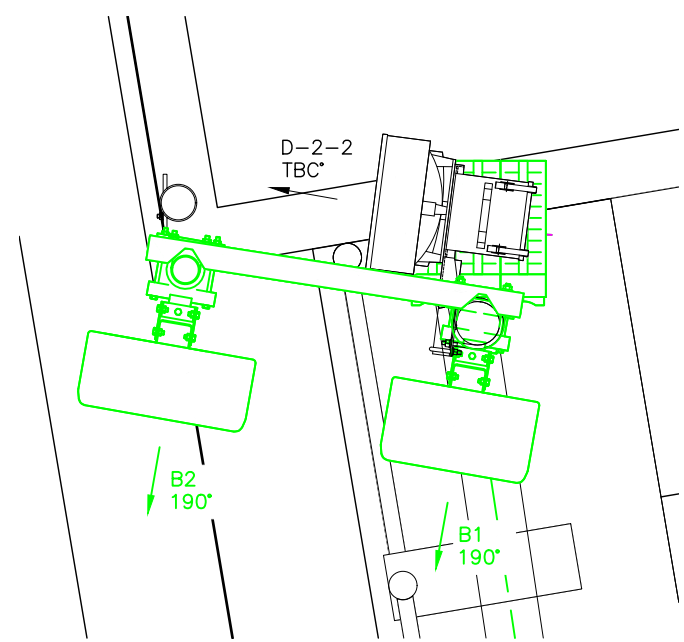
100mm
75mm
50mm
25mm
10mm

A3 These drawings comply with Standard ICNIRP guidelines.
 Designed in accordance with UK Broadband document: UKB_5GD_DEL_DES_MISC_001

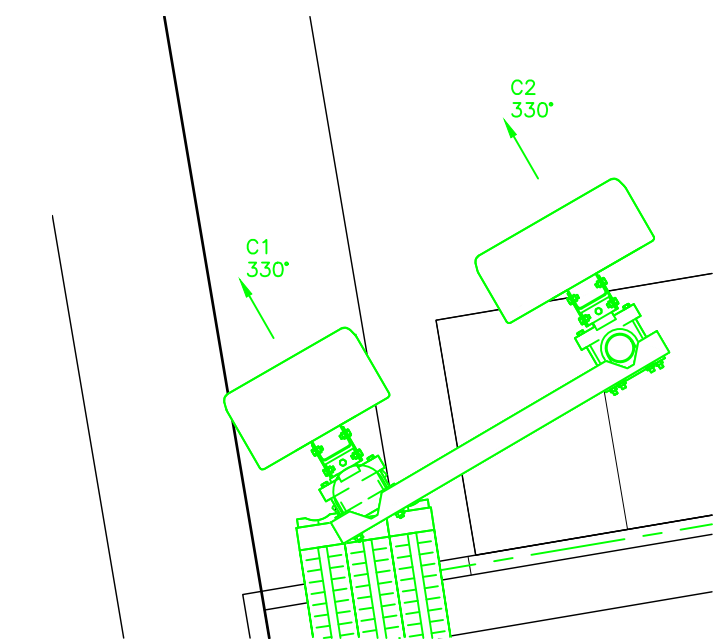
1 ALL DIMENSIONS ARE IN mm UNLESS NOTED OTHERWISE
 2 DO NOT SCALE DRAWINGS
 3 **BOXED GREEN TEXT INDICATES PROPOSED WORKS**



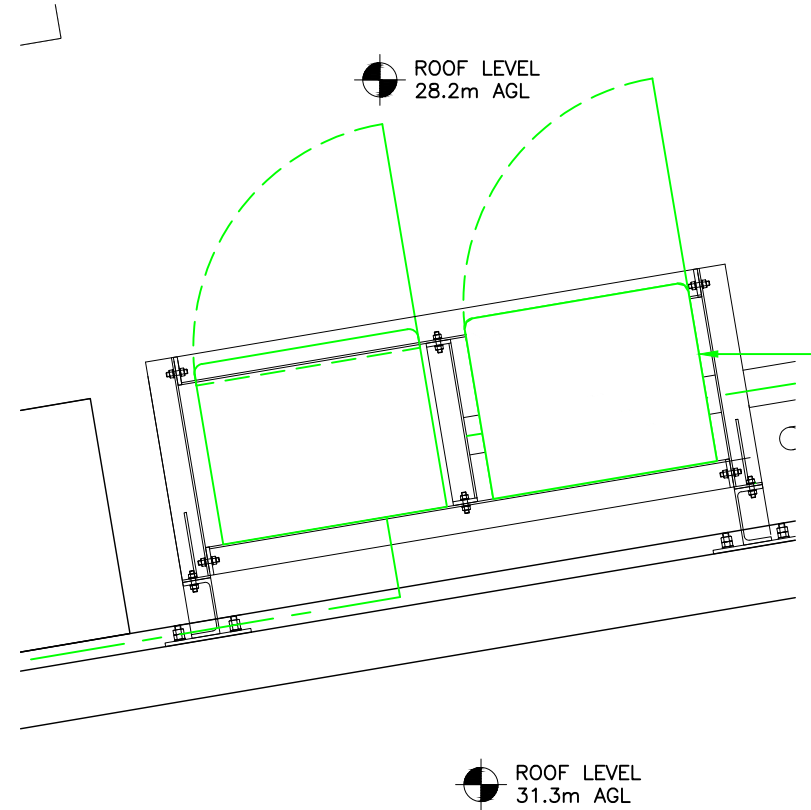
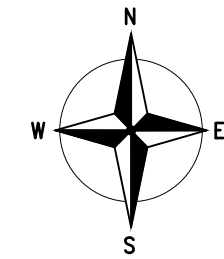
PROPOSED ANTENNA PLAN – SECTOR 1
 (SCALE 1:20)



PROPOSED ANTENNA PLAN – SECTOR 2
 (SCALE 1:20)

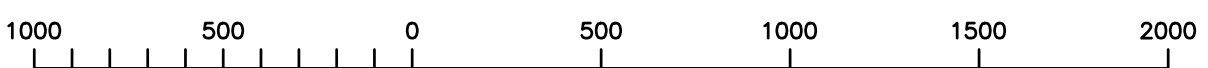


PROPOSED ANTENNA PLAN – SECTOR 3
 (SCALE 1:20)



PROPOSED EQUIPMENT LAYOUT
 (SCALE 1:20)

EXISTING UK BROADBAND HUAWEI BTS3900A APM30H ver C CABINET ON CANTILEVERED STEEL GRILLAGE TO BE REMOVED AND REPLACED WITH PROPOSED HUAWEI APM5930 CABINET & ADJACENT IBBS200D CABINET SIMILAR TO EXISTING (NOTE FRAME ORIGINALLY DESIGNED FOR 2x CABINETS SIDE BY SIDE)



ORIGINAL SCALE AT A3 – 1:20 ALL DIMENSIONS IN MILLIMETRES

A3	Additional elevations included	WA	RJH	19.08.19
B2	Structural Calcs Pass added	RJH	RJH	13.06.19
B1	Issued For Construction	WA	RJH	04.06.19
A2	Demise Area Revised	NTA	TM	22.03.19
A1	Preliminary Issue For Comment	NTA	TM	09.01.19
No.	Revision	By	Ckd	Date



sitec
 Infrastructure Services Ltd

7400 Cambridge Research Park
 Beach Drive, Waterbeach
 Cambridge
 CB25 9TN

Tel: 01223 792150
 Fax: 01223 862752
 e: info@sitec-is.co.uk
 w: www.sitec-is.co.uk

Site Name & Address:
 THE DUTCH HOUSE
 307 HIGH HOLBORN
 HOLBORN
 LONDON
 WC1V 7LL

Drawing Title:
 PROPOSED EQUIPMENT LAYOUT

Purpose of Issue:
 PLANNING

Drawing No:
 CAM0012 07

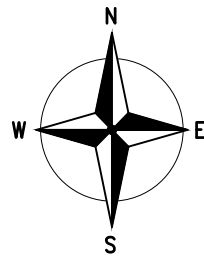
UKB CELL ID:
 CAM0012

Scale:	As Shown	Drawn:	WA	Date:	04.06.19	Issue:	
Checked:	RJH	Date:	04.06.19	Approved:	TM	Date:	04.06.19

These drawings comply with Standard ICNIRP guidelines.
 Designed in accordance with UK Broadband document: UKB_5GD_DEL_DES_MISC_001

100mm
75mm
50mm
25mm
10mm

A3



- 1 ALL DIMENSIONS ARE IN mm UNLESS NOTED OTHERWISE
- 2 DO NOT SCALE DRAWINGS
- 3 BOXED GREEN TEXT INDICATES PROPOSED WORKS

NOTES:

A3	Additional elevations included	WA	RJH	19.08.19
B2	Structural Calcs Pass added	RJH	RJH	13.06.19
B1	Issued For Construction	WA	RJH	04.06.19
A2	Demise Area Revised	NTA	TM	22.03.19
A1	Preliminary Issue For Comment	NTA	TM	09.01.19
No.	Revision	By	Ckd	Date




 7400 Cambridge Research Park
 Beach Drive, Waterbeach
 Cambridge
 CB25 9TN
 Tel: 01223 792150
 Fax: 01223 862752
 e: info@sitec-is.co.uk
 w: www.sitec-is.co.uk

Site Name & Address:
 THE DUTCH HOUSE
 307 HIGH HOLBORN
 HOLBORN
 LONDON
 WC1V 7LL

Drawing Title: LEASE DEMISE

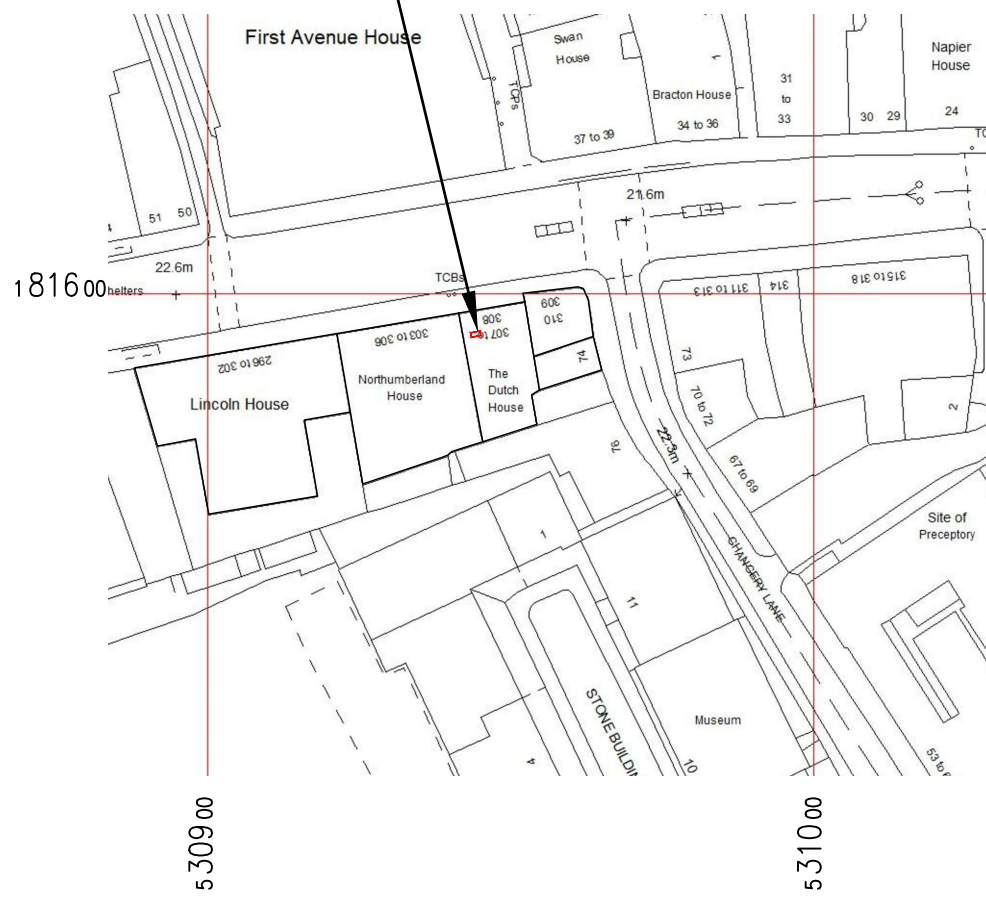
Purpose of Issue: PLANNING

Drawing No: CAM0012 08

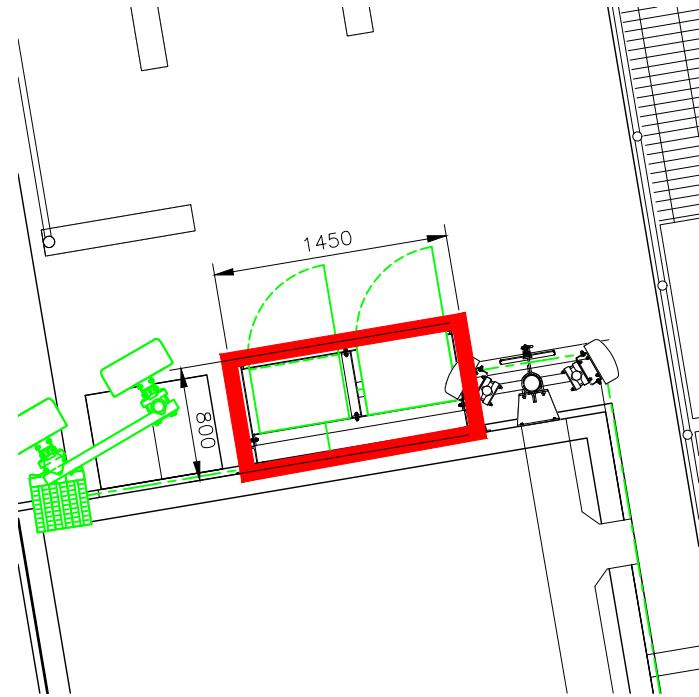
UKB CELL ID: CAM0012

Scale:	As Shown	Drawn:	WA	Date:	04.06.19	Issue:	
Checked:	RJH	Date:	04.06.19	Approved:	TM	Date:	09.01.19

SITE LOCATION

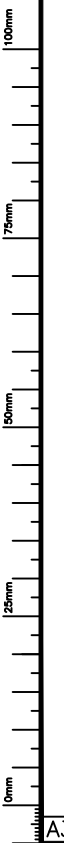


LEASE DEMISE
(1:1250)



LEASE DEMISE
(1:50)

LEASE DEMISE
(AS SHOWN)



A3 These drawings comply with Standard ICNIRP guidelines.
 Designed in accordance with UK Broadband document: UKB_5GD_DEL_DES_MISC_001

- 1 ALL DIMENSIONS ARE IN mm UNLESS NOTED OTHERWISE
- 2 DO NOT SCALE DRAWINGS
- 3 BOXED GREEN TEXT INDICATES PROPOSED WORKS

EXISTING 1No. UK BROADBAND 300Ø DISH
D-1-1 @36° MOUNTED ON SUPPORT POLE
AND OFFSET BRACKETS

EXISTING 1No. UK BROADBAND GPS
ANTENNA MOUNTED ON SUPPORT POLE AND
OFFSET BRACKETS (BEHIND)

EXISTING OLO ANTENNA MOUNTED ON SUPPORT
POLE

C/L OF EXISTING DISH D-1-1
32.0m AGL

TOP OF EXISTING ANTENNAS
32.5m AGL

U/S OF EXISTING ANTENNAS
31.60m AGL

EXISTING 1No. UK BROADBAND ANTENNA
MOUNTED ON CLIMBABLE SUPPORT POLE
FIXED TO PLANT ROOM WALL. 1No. RRU
3232 MOUNTED TO REAR OF SUPPORT POLE

EXISTING 2No. VF EQUIPMENT
CABINETS ON STEEL GRILLAGE

ROOFTOP ACCESS DOOR

EXISTING 2No. VF ANTENNAS ON
CLIMBABLE SUPPORT POLE

MAIN ROOF LEVEL
31.30m AGL

MAIN ROOF LEVEL
28.20m AGL

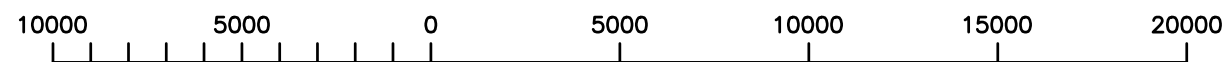
ADJACENT ROOF LEVEL
19.0m AGL

ADJACENT ROOF LEVEL
10.0m AGL

ADJACENT ROOF LEVEL
18.30m AGL

GROUND LEVEL
0.0m GL

EXISTING EAST ELEVATION (SCALE: 1:200)



ORIGINAL SCALE AT A3 - 1:200

ALL DIMENSIONS IN MILLIMETRES

No.	Revision	By	Ckd	Date
A3	Additional elevations included	WA	RJH	19.08.19
B2	Structural Calcs Pass added	RJH	RJH	13.06.19
B1	Issued For Construction	WA	RJH	04.06.19
A2	Demise Area Revised	NTA	TM	22.03.19
A1	Preliminary Issue For Comment	NTA	TM	09.01.19



7400 Cambridge Research Park
Beach Drive, Waterbeach
Cambridge
CB25 9TN

sitec
Infrastructure Services Ltd

Tel: 01223 792150
Fax: 01223 862752
e: info@sitec-is.co.uk
w: www.sitec-is.co.uk

Site Name & Address:

THE DUTCH HOUSE
307 HIGH HOLBORN
HOLBORN
LONDON
WC1V 7LL

Drawing Title:
EXISTING SITE EAST ELEVATION

Purpose of Issue:
PLANNING

Drawing No:
CAM0012 19

UKB CELL ID:
CAM0012

Scale:	As Shown	Drawn:	WA	Date:	04.06.19	Issue:	
Checked:	RJH	Date:	04.06.19	Approved:	TM	Date:	04.06.19
							A3

EXISTING 1No. UK BROADBAND GPS ANTENNA MOUNTED ON SUPPORT POLE AND OFFSET BRACKETS TO BE RELOCATED ONTO NEW SUPPORT POLE (BEHIND)

PROPOSED 1No. UK BROADBAND AHP4517R7v06 ANTENNA ON NEW SUPPORT POLE FIXED TO MAIN SUPPORT POLE USING NEW OFFSET BRACKETS SEE DRG CAM0012-18 FOR DETAILS

EXISTING 1No. UK BROADBAND ANTENNA MOUNTED ON CLIMBABLE SUPPORT POLE FIXED TO PLANT ROOM WALL. 1No. RRU 3232 MOUNTED TO REAR OF SUPPORT POLE TO BE REMOVED. PROPOSED 1No. AAU5614 ANTENNA & 3No. RRU'S TO BE MOUNTED ON NEW SUPPORT POLE FIXED TO EXISTING WALL BRACKETS. SEE DRG CAM0012-16 FOR DETAILS

PROPOSED 1No. UK BROADBAND AHP4517R7v06 ANTENNA ON NEW SUPPORT POLE FIXED TO MAIN SUPPORT POLE USING NEW OFFSET BRACKETS SEE DRG CAM0012-18 FOR DETAILS

EXISTING 1No. UK BROADBAND 300Ø DISH D-1-1 @36° TO BE REPLACED WITH PROPOSED 1No. 300Ø 1+0 DISH MOUNTED ON EXISTING SUPPORT POLE AND OFFSET BRACKETS

NOTE:
EXISTING METREEL INVISIRUNG LADDERS FIXED TO SUPPORT POLES TO BE RE-INSTALLED ON PROPOSED SUPPORT POLES & RE-CERTIFIED

EXISTING 1No. UK BROADBAND ANTENNA MOUNTED ON CLIMBABLE SUPPORT POLE FIXED TO PLANT ROOM WALL & 1No. RRU 3232 MOUNTED TO REAR OF SUPPORT POLE TO BE REMOVED. PROPOSED 1No. AAU5614 ANTENNA & 3No. RRU'S TO BE MOUNTED ON NEW (REPLACEMENT) SUPPORT POLE NOTE EXISTING WALL BRACKETS TO BE REMOVED AND STUDS BURNT FLUSH TO WALL. 2No. PROPOSED WALL BRACKETS TO BE INSTALLED FOR REPLACEMENT MAIN SUPPORT POLE (SECTOR 3 ONLY) (BEHIND) SEE DRAWINGS 16+17 FOR DETAILS

- 1 ALL DIMENSIONS ARE IN mm UNLESS NOTED OTHERWISE
- 2 DO NOT SCALE DRAWINGS
- 3 BOXED GREEN TEXT INDICATES PROPOSED WORKS

C/L OF PROPOSED DISH D-1-1
32.0m AGL
TOP OF PROPOSED ANTENNAS A2, B2, C2
33.75m AGL
TOP OF PROPOSED ANTENNAS A1, B1, C1
33.00m AGL
U/S OF PROPOSED A2,B2,C2 ANTENNAS
31.65m AGL

EXISTING 2No. VF ANTENNAS ON CLIMBABLE SUPPORT POLE

MAIN ROOF LEVEL
31.30m AGL

MAIN ROOF LEVEL
28.20m AGL

EXISTING 2No. VF EQUIPMENT CABINETS ON STEEL GRILLAGE

ROOFTOP ACCESS DOOR

ADJACENT ROOF LEVEL
18.30m AGL

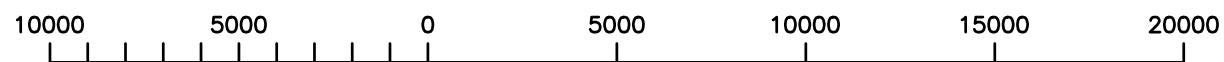
ADJACENT ROOF LEVEL
19.0m AGL

ADJACENT ROOF LEVEL
10.0m AGL

GROUND LEVEL
0.0m GL

PROPOSED EAST ELEVATION

(SCALE: 1:200)



ORIGINAL SCALE AT A3 - 1:200

ALL DIMENSIONS IN MILLIMETRES

A3	Additional elevations included	WA	RJH	19.08.19
B2	Structural Calcs Pass added	RJH	RJH	13.06.19
B1	Issued For Construction	WA	RJH	04.06.19
A2	Demise Area Revised	NTA	TM	22.03.19
A1	Preliminary Issue For Comment	NTA	TM	09.01.19
No.	Revision	By	Ckd	Date



7400 Cambridge Research Park
Beach Drive, Waterbeach
Cambridge
CB25 9TN
Tel: 01223 792150
Fax: 01223 862752
e: info@sitec-is.co.uk
w: www.sitec-is.co.uk

Site Name & Address:

THE DUTCH HOUSE
307 HIGH HOLBORN
HOLBORN
LONDON
WC1V 7LL

Drawing Title:
PROPOSED SITE EAST ELEVATION

Purpose of Issue:
PLANNING

Drawing No:
CAM0012 20

UKB CELL ID:
CAM0012

Scale:	As Shown	Drawn:	WA	Date:	04.06.19	Issue:	
Checked:	RJH	Date:	04.06.19	Approved:	TM	Date:	04.06.19
							A3

- 1 ALL DIMENSIONS ARE IN mm UNLESS NOTED OTHERWISE
- 2 DO NOT SCALE DRAWINGS
- 3 BOXED GREEN TEXT INDICATES PROPOSED WORKS

EXISTING 1No. UK BROADBAND GPS ANTENNA MOUNTED ON SUPPORT POLE AND OFFSET BRACKETS

EXISTING 2No. VF ANTENNAS ON CLIMBABLE SUPPORT POLE

EXISTING 1No. UK BROADBAND 300Ø DISH D-1-1 @36° MOUNTED ON SUPPORT POLE AND OFFSET BRACKETS

EXISTING 1No. UK BROADBAND ANTENNA MOUNTED ON CLIMBABLE SUPPORT POLE FIXED TO PLANT ROOM WALL. 1No. RRU 3232 MOUNTED TO REAR OF SUPPORT POLE

C/L OF EXISTING DISH D-1-1
32.0m AGL

TOP OF EXISTING ANTENNAS
32.5m AGL

U/S OF EXISTING ANTENNAS
31.60m AGL

ADJACENT ROOF LEVEL
31.42m AGL

MAIN ROOF LEVEL
31.30m AGL

MAIN ROOF LEVEL
28.20m AGL

EXISTING 1No. UK BROADBAND ANTENNA MOUNTED ON CLIMBABLE SUPPORT POLE FIXED TO PLANT ROOM WALL. 1No. RRU 3232 MOUNTED TO REAR OF SUPPORT POLE

EXISTING 2No. VF EQUIPMENT CABINETS ON STEEL GRILLAGE

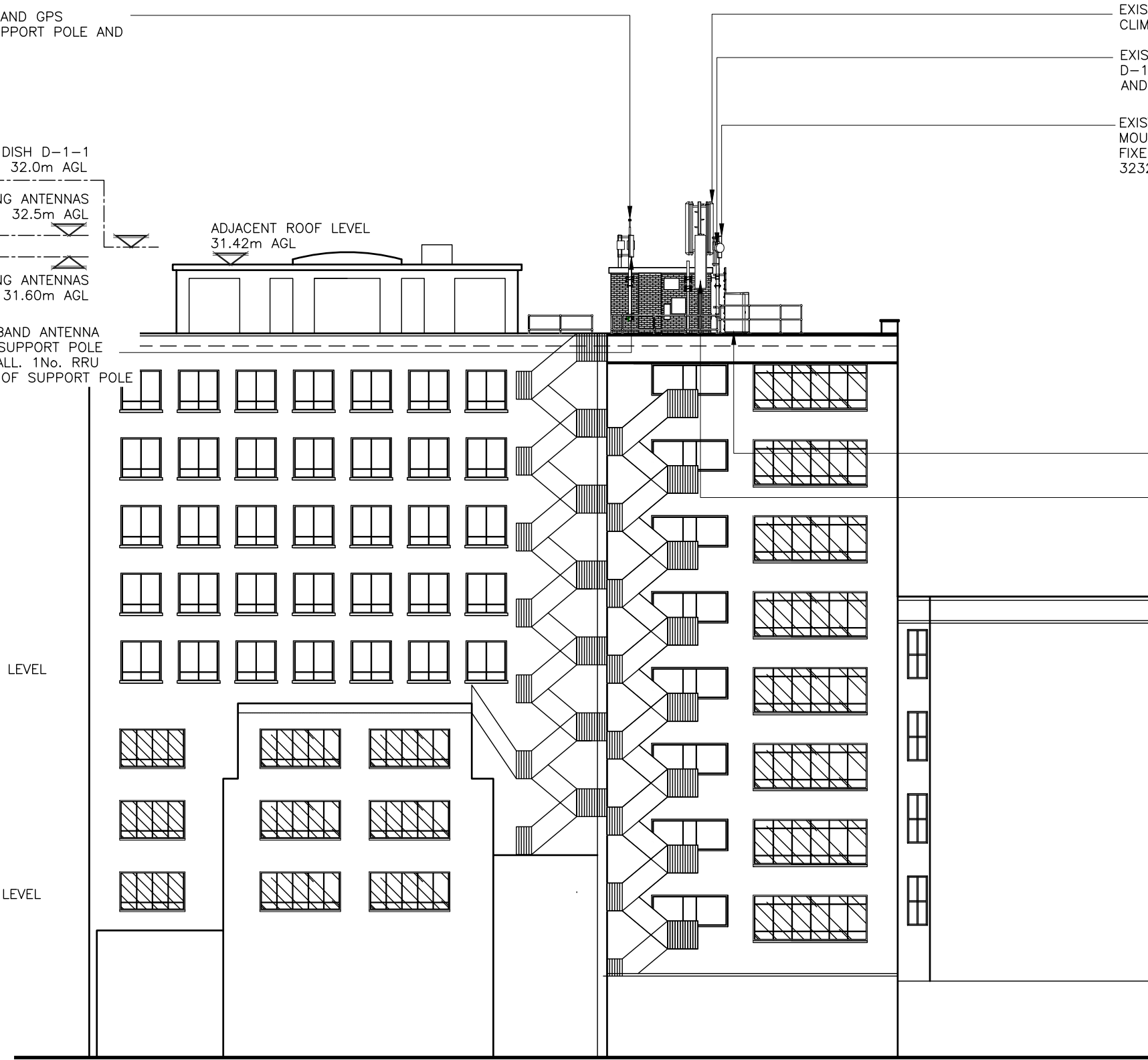
EXISTING OLO ANTENNA MOUNTED ON SUPPORT POLE

ADJACENT ROOF LEVEL
18.30m AGL

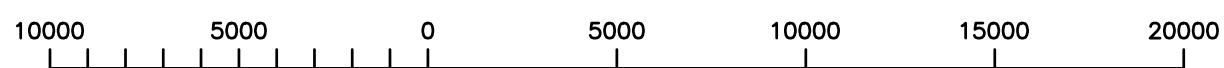
ADJACENT ROOF LEVEL
14.0m AGL

ADJACENT ROOF LEVEL
4.0m AGL

GROUND LEVEL
0.0m GL



EXISTING SOUTH ELEVATION
(SCALE: 1:200)



ORIGINAL SCALE AT A3 - 1:200

ALL DIMENSIONS IN MILLIMETRES

A3	Additional elevations included	WA	RJH	19.08.19
B2	Structural Calcs Pass added	RJH	RJH	13.06.19
B1	Issued For Construction	WA	RJH	04.06.19
A2	Demise Area Revised	NTA	TM	22.03.19
A1	Preliminary Issue For Comment	NTA	TM	09.01.19
No.	Revision	By	Ckd	Date



7400 Cambridge Research Park
Beach Drive, Waterbeach
Cambridge
CB25 9TN

sitec
Infrastructure Services Ltd

Tel: 01223 792150
Fax: 01223 862752
e: info@sitec-is.co.uk
w: www.sitec-is.co.uk

Site Name & Address:

THE DUTCH HOUSE
307 HIGH HOLBORN
HOLBORN
LONDON
WC1V 7LL

Drawing Title:
EXISTING SITE SOUTH ELEVATION

Purpose of Issue:
PLANNING

Drawing No:
CAM0012 21

UKB CELL ID:
CAM0012

Scale:	As Shown	Drawn:	WA	Date:	04.06.19	Issue:	
Checked:	RJH	Date:	04.06.19	Approved:	TM	Date:	04.06.19
							A3

These drawings comply with Standard ICNIRP guidelines.
Designed in accordance with UK Broadband document: UKB_5GD_DEL_DES_MISC_001

EXISTING 1No. UK BROADBAND GPS ANTENNA MOUNTED ON SUPPORT POLE AND OFFSET BRACKETS TO BE RELOCATED ONTO NEW SUPPORT POLE

PROPOSED 1No. UK BROADBAND AHP4517R7v06 ANTENNA ON NEW SUPPORT POLE FIXED TO MAIN SUPPORT POLE USING NEW OFFSET BRACKETS SEE DRG CAM0012-18 FOR DETAILS

NOTE:
EXISTING METREEL INVISIRUNG LADDERS FIXED TO SUPPORT POLES TO BE RE-INSTALLED ON PROPOSED SUPPORT POLES & RE-CERTIFIED

EXISTING 1No. UK BROADBAND ANTENNA MOUNTED ON CLIMBABLE SUPPORT POLE FIXED TO PLANT ROOM WALL. 1No. RRU 3232 MOUNTED TO REAR OF SUPPORT POLE TO BE REMOVED. PROPOSED 1No. AAU5614 ANTENNA & 3No. RRU'S TO BE MOUNTED ON NEW SUPPORT POLE FIXED TO EXISTING WALL BRACKETS. SEE DRG CAM0012-16 FOR DETAILS

EXISTING 1No. UK BROADBAND 300Ø DISH D-1-1 @36° TO BE REPLACED WITH PROPOSED 1No. 300Ø 1+0 DISH MOUNTED ON EXISTING SUPPORT POLE AND OFFSET BRACKETS (BEHIND)

1 ALL DIMENSIONS ARE IN mm UNLESS NOTED OTHERWISE
2 DO NOT SCALE DRAWINGS
3 BOXED GREEN TEXT INDICATES PROPOSED WORKS

C/L OF PROPOSED DISH D-1-1
32.0m AGL
TOP OF PROPOSED ANTENNAS
A2, B2, C2 33.75m AGL
TOP OF PROPOSED ANTENNAS
A1, B1, C1 33.00m AGL
U/S OF PROPOSED
A2,B2,C2 ANTENNAS 31.65m
AGL

ADJACENT ROOF LEVEL
31.42m AGL

MAIN ROOF LEVEL
31.30m AGL

MAIN ROOF LEVEL
28.20m AGL

EXISTING 2No. VF EQUIPMENT
CABINETS ON STEEL GRILLAGE

EXISTING OLO ANTENNA
MOUNTED ON SUPPORT POLE

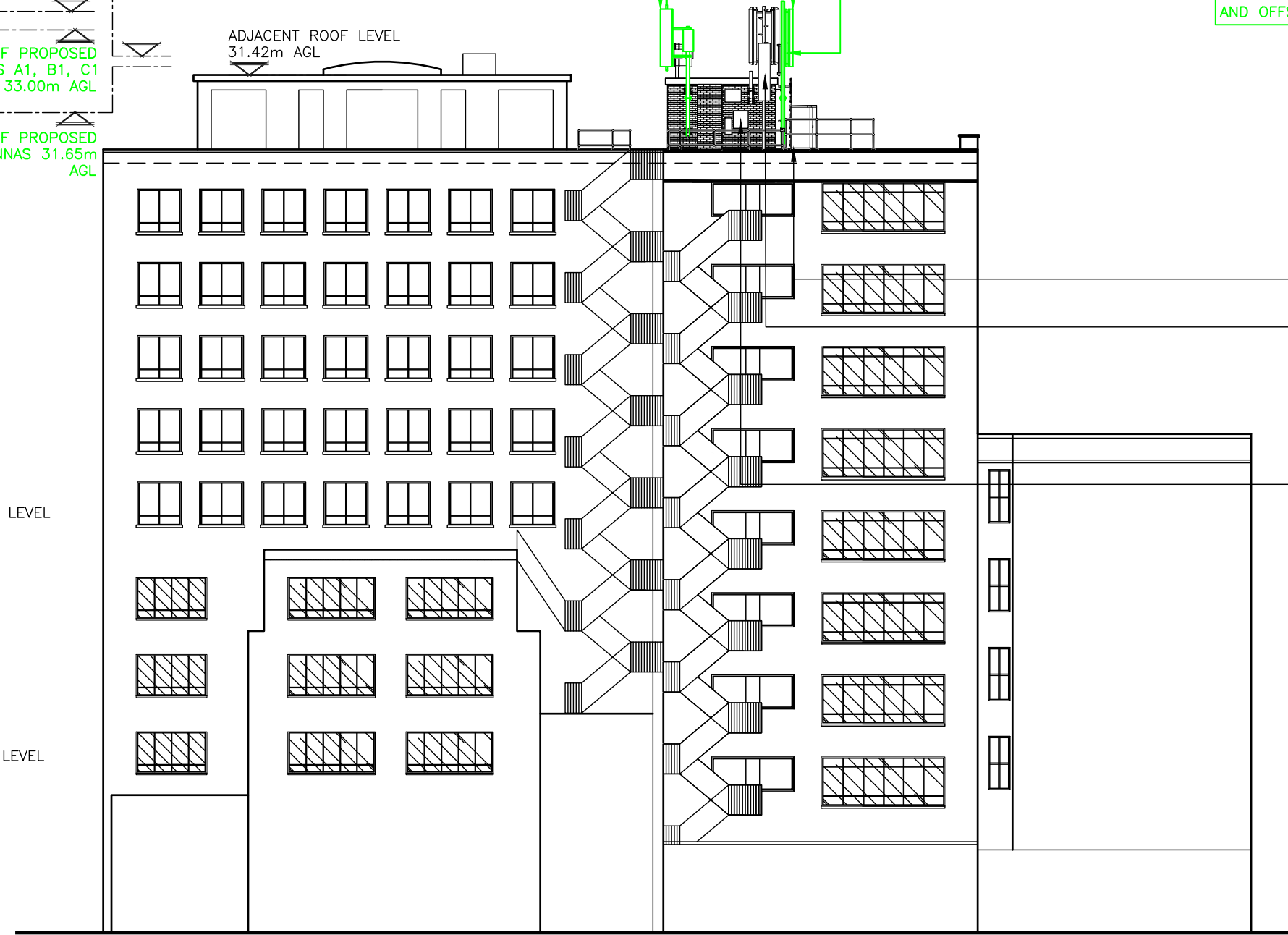
ADJACENT ROOF LEVEL
18.30m AGL

EXISTING AIRCON UNITS ON
EXTERIOR WALL

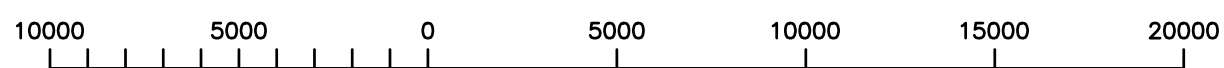
ADJACENT ROOF LEVEL
14.0m AGL

ADJACENT ROOF LEVEL
4.0m AGL

GROUND LEVEL
0.0m GL



PROPOSED SOUTH ELEVATION
(SCALE: 1:200)



ORIGINAL SCALE AT A3 - 1:200

ALL DIMENSIONS IN MILLIMETRES

A3	Additional elevations included	WA	RJH	19.08.19
B2	Structural Calcs Pass added	RJH	RJH	13.06.19
B1	Issued For Construction	WA	RJH	04.06.19
A2	Demise Area Revised	NTA	TM	22.03.19
A1	Preliminary Issue For Comment	NTA	TM	09.01.19
No.	Revision	By	Ckd	Date



7400 Cambridge Research Park
Beach Drive, Waterbeach
Cambridge
CB25 9TN
Tel: 01223 792150
Fax: 01223 862752
e: info@sitec-is.co.uk
w: www.sitec-is.co.uk

Site Name & Address:
THE DUTCH HOUSE
307 HIGH HOLBORN
HOLBORN
LONDON
WC1V 7LL

Drawing Title:
PROPOSED SITE SOUTH ELEVATION

Purpose of Issue:
PLANNING

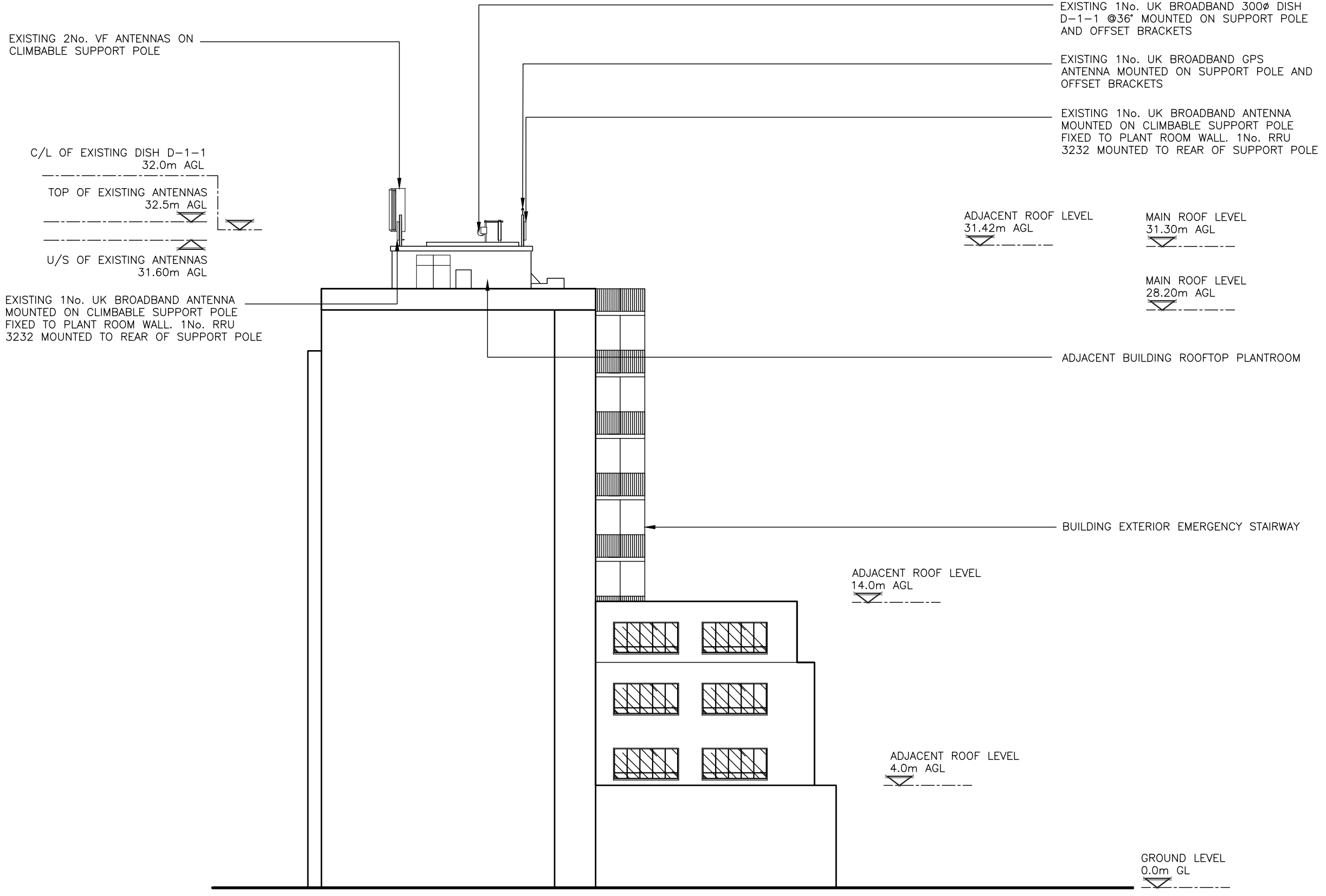
Drawing No:
CAM0012 22

UKB CELL ID:
CAM0012

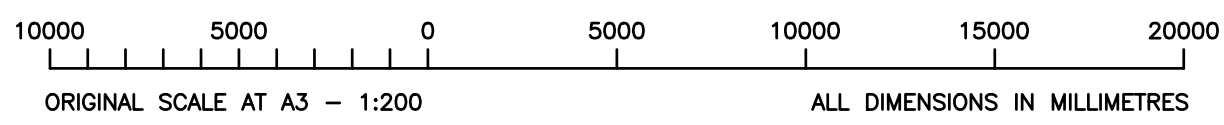
Scale:	As Shown	Drawn:	WA	Date:	04.06.19	Issue:	
Checked:	RJH	Date:	04.06.19	Approved:	TM	Date:	04.06.19
							A3

These drawings comply with Standard ICNIRP guidelines.
Designed in accordance with UK Broadband document: UKB_5GD_DEL_DES_MISC_001

- 1 ALL DIMENSIONS ARE IN mm UNLESS NOTED OTHERWISE
- 2 DO NOT SCALE DRAWINGS
- 3 BOXED GREEN TEXT INDICATES PROPOSED WORKS



EXISTING SITE WEST ELEVATION
(SCALE: 1:200)



A3	Additional elevations included	WA	RJH	19.08.19
B2	Structural Calcs Pass added	RJH	RJH	13.06.19
B1	Issued For Construction	WA	RJH	04.06.19
A2	Demise Area Revised	NTA	TM	22.03.19
A1	Preliminary Issue For Comment	NTA	TM	09.01.19
No.	Revision	By	Ckd	Date



7400 Cambridge Research Park
Beach Drive, Waterbeach
Cambridge
CB25 9TN
Tel: 01223 792150
Fax: 01223 862752
e: info@sitec-is.co.uk
w: www.sitec-is.co.uk

Site Name & Address:

THE DUTCH HOUSE
307 HIGH HOLBORN
HOLBORN
LONDON
WC1V 7LL

Drawing Title:
EXISTING SITE WEST ELEVATION

Purpose of Issue:
PLANNING

Drawing No:
CAM0012 23

UKB CELL ID:
CAM0012

Scale:	As Shown	Drawn:	WA	Date:	04.06.19	Issue:	
Checked:	RJH	Date:	04.06.19	Approved:	TM	Date:	04.06.19
							A3

These drawings comply with Standard ICNIRP guidelines.
Designed in accordance with UK Broadband document: UKB_5GD_DEL_DES_MISC_001

PROPOSED 1No. UK BROADBAND AHP4517R7v06 ANTENNA ON NEW SUPPORT POLE FIXED TO MAIN SUPPORT POLE USING NEW OFFSET BRACKETS SEE DRG CAM0012-18 FOR DETAILS

EXISTING 2No. VF ANTENNAS ON CLIMBABLE SUPPORT POLE

C/L OF PROPOSED DISH D-1-1
32.0m AGL

TOP OF PROPOSED ANTENNAS A2, B2, C2
33.75m AGL

TOP OF PROPOSED ANTENNAS A1, B1, C1
33.00m AGL

U/S OF PROPOSED A2,B2,C2 ANTENNAS
31.65m AGL

EXISTING 1No. UK BROADBAND 300Ø DISH D-1-1 @36' TO BE REPLACED WITH PROPOSED 1No. 300Ø 1+0 DISH MOUNTED ON EXISTING SUPPORT POLE AND OFFSET BRACKETS (BEHIND)

EXISTING 1No. UK BROADBAND GPS ANTENNA MOUNTED ON SUPPORT POLE AND OFFSET BRACKETS TO BE RELOCATED ONTO NEW SUPPORT POLE

PROPOSED 1No. UK BROADBAND AHP4517R7v06 ANTENNA ON NEW SUPPORT POLE FIXED TO MAIN SUPPORT POLE USING NEW OFFSET BRACKETS SEE DRG CAM0012-18 FOR DETAILS

ADJACENT ROOF LEVEL
31.42m AGL

MAIN ROOF LEVEL
31.30m AGL

MAIN ROOF LEVEL
28.20m AGL

ADJACENT BUILDING ROOFTOP PLANTROOM

EXISTING 1No. UK BROADBAND ANTENNA MOUNTED ON CLIMBABLE SUPPORT POLE FIXED TO PLANT ROOM WALL. 1No. RRU 3232 MOUNTED TO REAR OF SUPPORT POLE TO BE REMOVED. PROPOSED 1No. AAU5614 ANTENNA & 3No. RRU'S TO BE MOUNTED ON NEW SUPPORT POLE FIXED TO EXISTING WALL BRACKETS. SEE DRG CAM0012-16 FOR DETAILS

BUILDING EXTERIOR EMERGENCY STAIRWAY

ADJACENT ROOF LEVEL
14.0m AGL

ADJACENT ROOF LEVEL
4.0m AGL

GROUND LEVEL
0.0m GL

- 1 ALL DIMENSIONS ARE IN mm UNLESS NOTED OTHERWISE
- 2 DO NOT SCALE DRAWINGS
- 3 BOXED GREEN TEXT INDICATES PROPOSED WORKS

No.	Revision	By	Ckd	Date
A3	Additional elevations included	WA	RJH	19.08.19
B2	Structural Calcs Pass added	RJH	RJH	13.06.19
B1	Issued For Construction	WA	RJH	04.06.19
A2	Demise Area Revised	NTA	TM	22.03.19
A1	Preliminary Issue For Comment	NTA	TM	09.01.19



7400 Cambridge Research Park
Beach Drive, Waterbeach
Cambridge
CB25 9TN

sitec
Infrastructure Services Ltd

Tel: 01223 792150
Fax: 01223 862752
e: info@sitec-is.co.uk
w: www.sitec-is.co.uk

Site Name & Address:

THE DUTCH HOUSE
307 HIGH HOLBORN
HOLBORN
LONDON
WC1V 7LL

Drawing Title:
PROPOSED SITE WEST ELEVATION

Purpose of Issue:
PLANNING

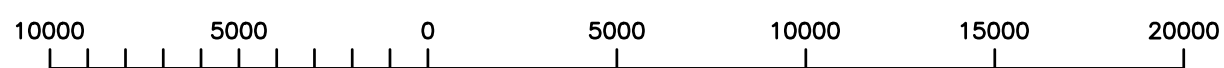
Drawing No:
CAM0012 24

UKB CELL ID:
CAM0012

Scale:	As Shown	Drawn:	WA	Date:	04.06.19	Issue:	
Checked:	RJH	Date:	04.06.19	Approved:	TM	Date:	04.06.19

PROPOSED WEST ELEVATION

(SCALE: 1:200)



ORIGINAL SCALE AT A3 - 1:200

ALL DIMENSIONS IN MILLIMETRES



These drawings comply with Standard ICNIRP guidelines.
Designed in accordance with UK Broadband document: UKB_5GD_DEL_DES_MISC_001