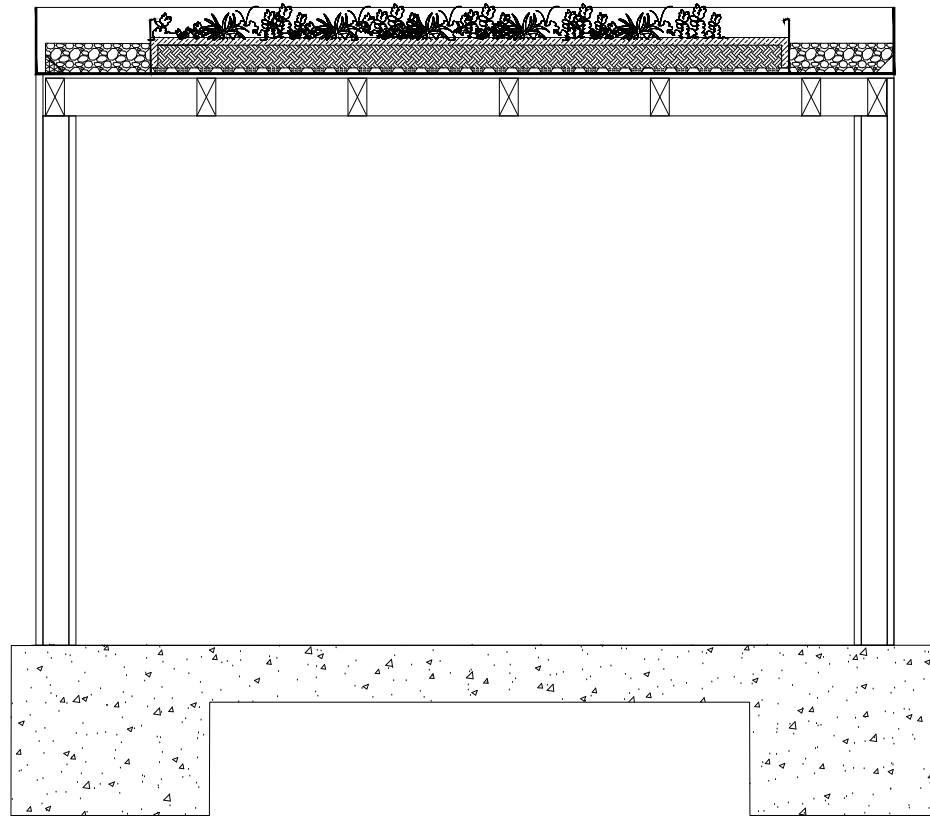


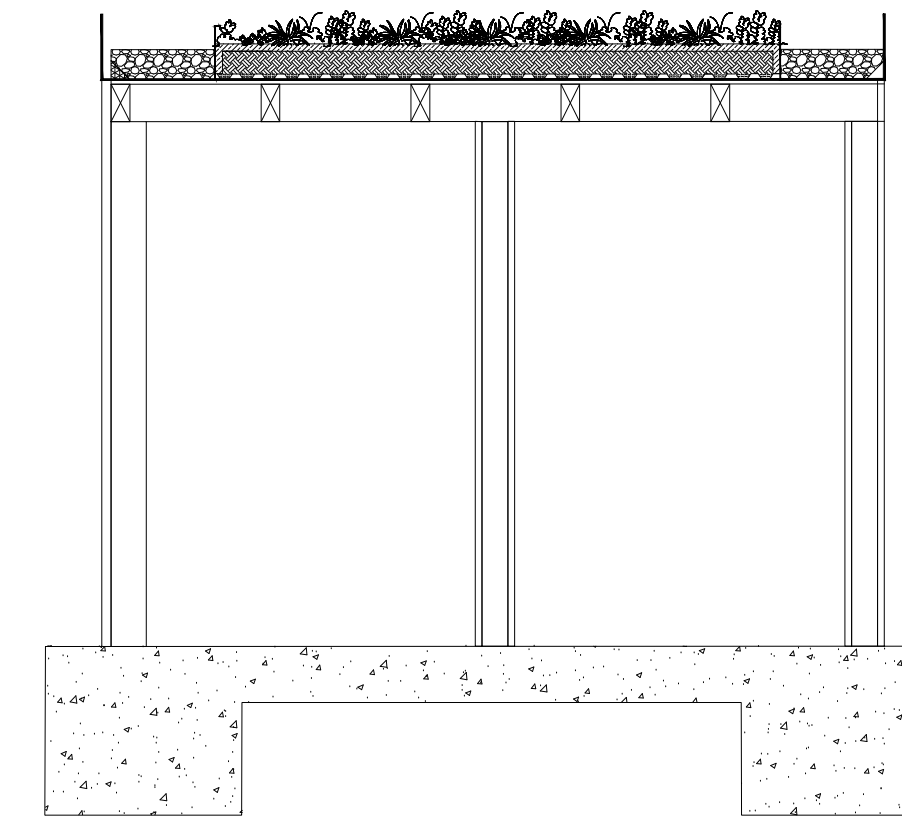
1/ BIN AND BIKE STORE PLAN

1:20 @ A1



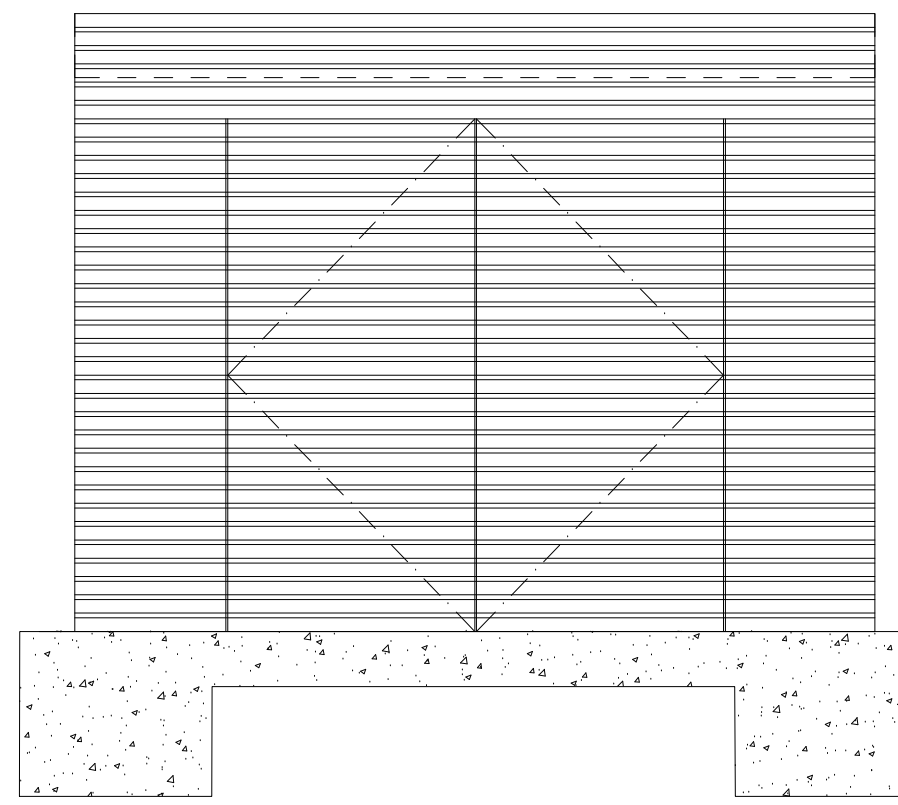
3/SECTION A-A

1:20 @ A1



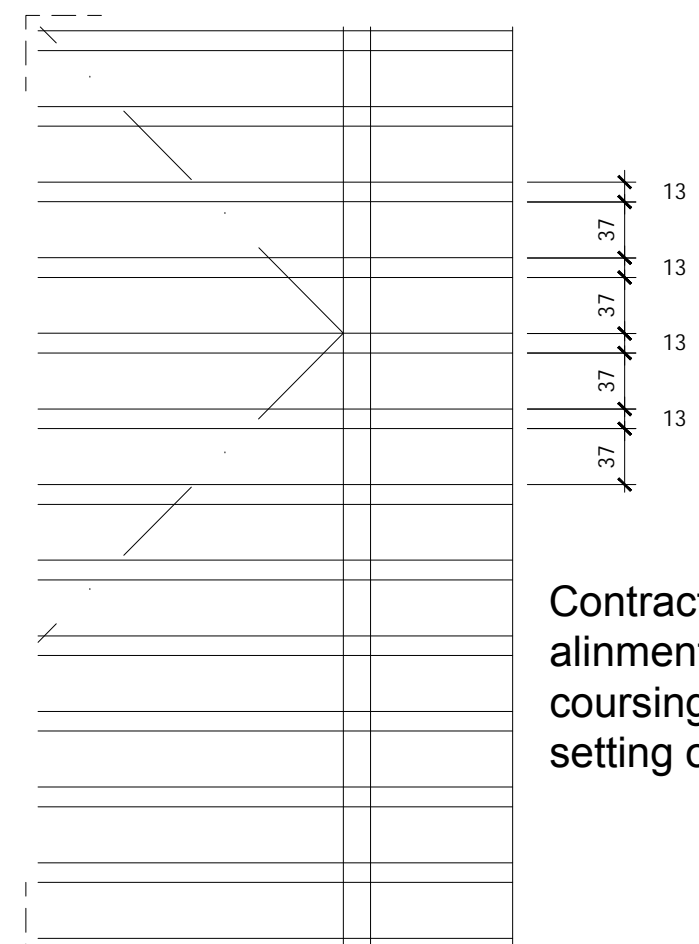
4/ SECTION B-B

1:20 @ A1



5/ELEVATION

1:20 @ A1



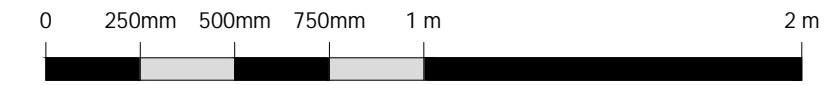
6/TYPICAL SETTING OUT

1:5 @ A1

Contractor to ensure alignment between brick coursing and timber setting out

These drawings are for illustrative purposes and may not represent what is physically present. Should any discrepancy between the drawings and the existing arrangements be discovered, Edwards Wilson shall be notified in writing as soon as possible. Do not scale from this drawing, all dimensions to be verified prior to commencing works on site.

Where available this drawing should be read in conjunction with all general arrangements, structural and MEP drawings, schedule of works and specification.



Rev	Description	Date
/	Issued as further information	19.08.19
Client		Diocese of London
Project		St Peters Church Vicarage
Address		St Peters Church Vicarage Belsize Park Belsize Square London NW3 4HJ
Project No.		6179-01
Drawing No.		905
Drawing Date		19.08.19
Drawing Title		Bike and Bin Store Details Sheet 3
Drawing Status		Tender
Drawing Scale		1:40@A3 / 1:20 @A1

**EDWARDS
WILSON**

The Gallery
St Margaret Pattens
EC3M 1HS

info@e-w.london
e-w.london
020 7583 7799

