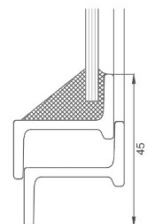
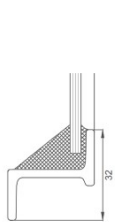
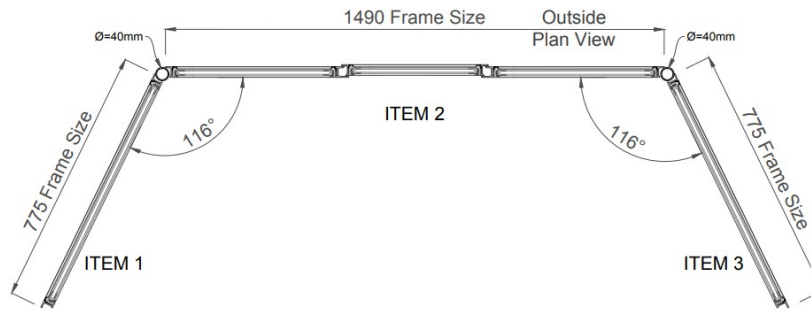
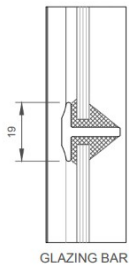
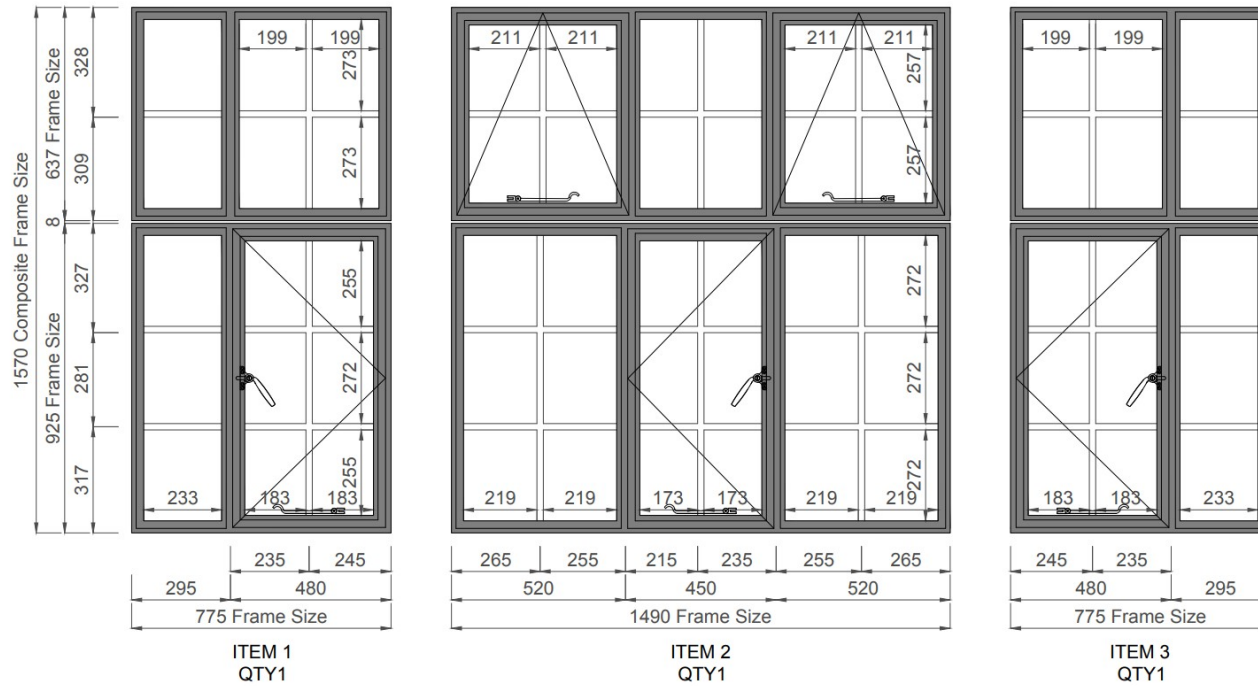


All Elevations Are Viewed From Outside

SPECIFICATION:
ELEVATIONS - VIEWED FROM OUTSIDE
SECTIONS - STANDARD CRITTALL SECTIONS
FITTINGS -
 SIDE HUNG CASEMENTS
 1 PAIR: PROJECTING FRICTION HINGES
 TOP HUNG CASEMENTS
 1 PAIR: NON-PROJECTING NON-FRICTION HINGES



All Dimensions Are In Millimeters
 All Dimensions To Be Checked On-Site
 Scale@A1: 1:1 & 1:8 - DO NOT SCALE SIZES OFF DRAWINGS

Client Name
 Brockington Hill

Installation Address
 Flat 72
 Russell Court
 Woburn Place
 BGD6
 WC1H 0LW