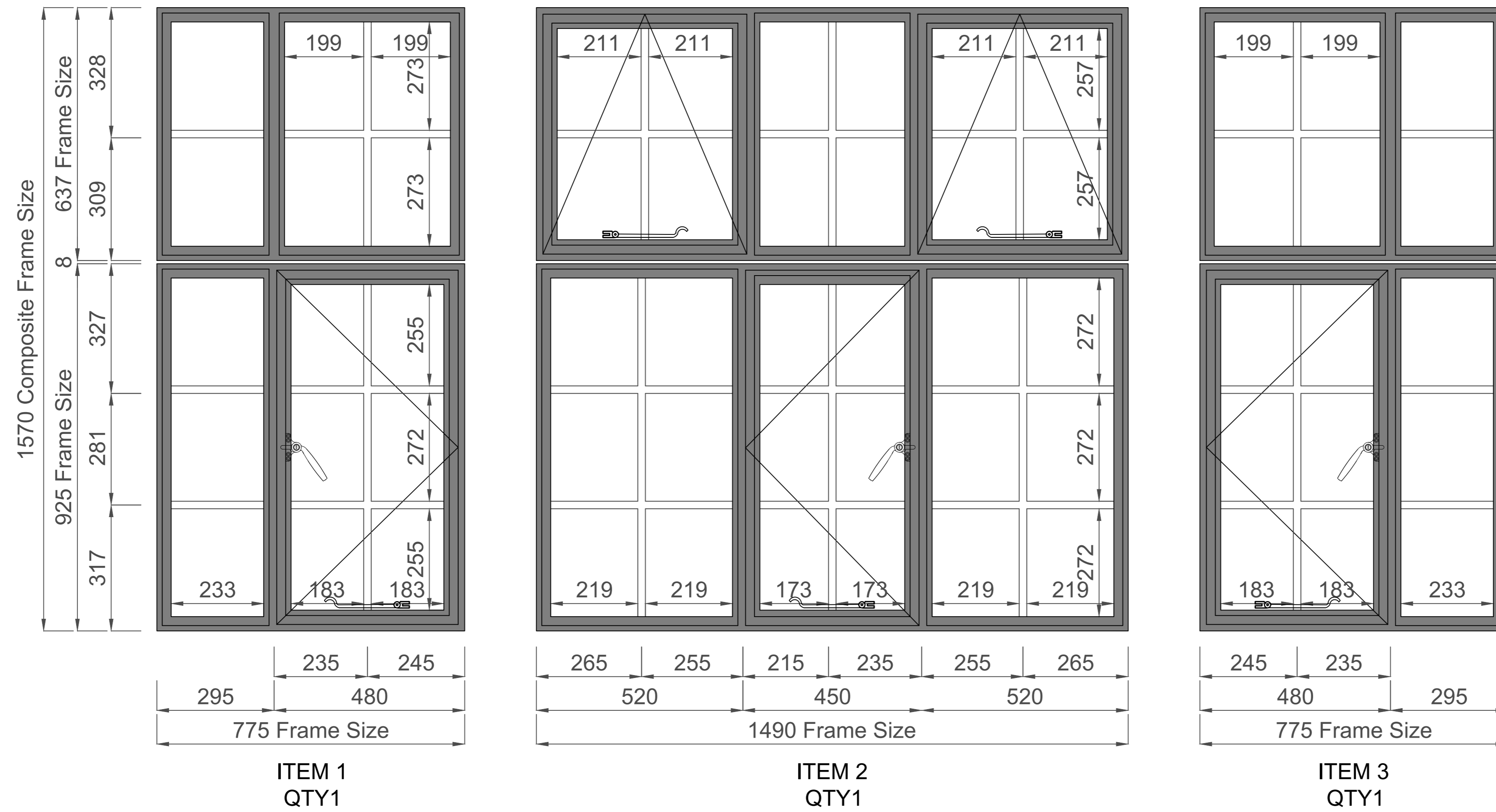
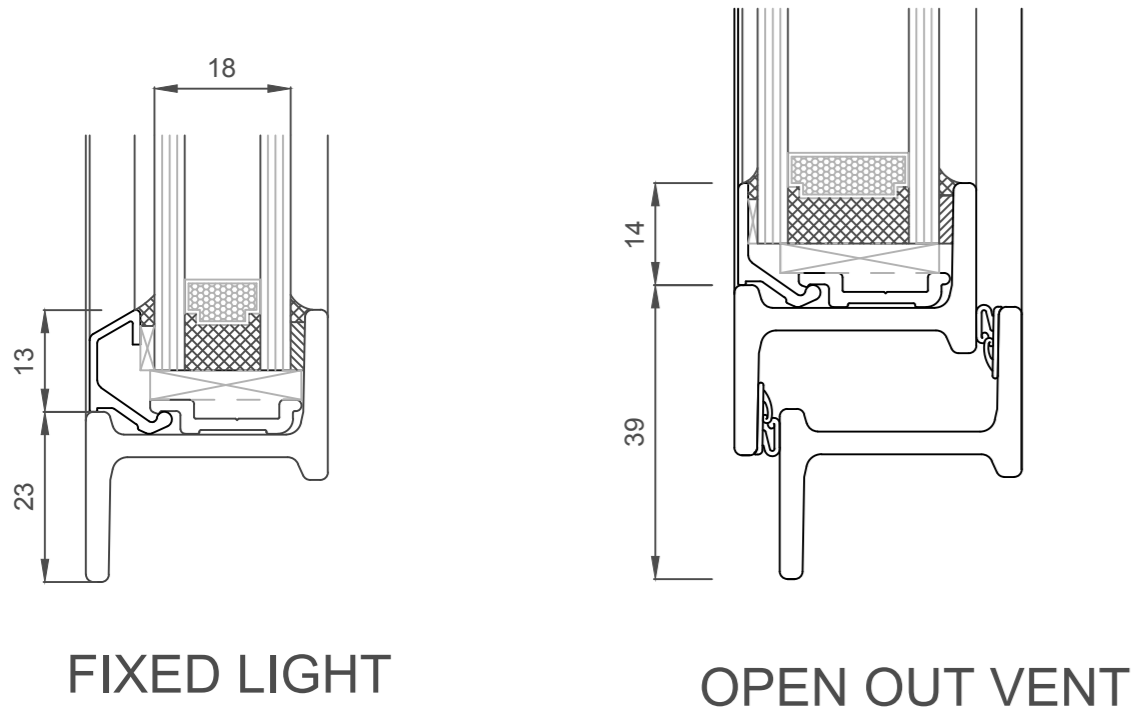
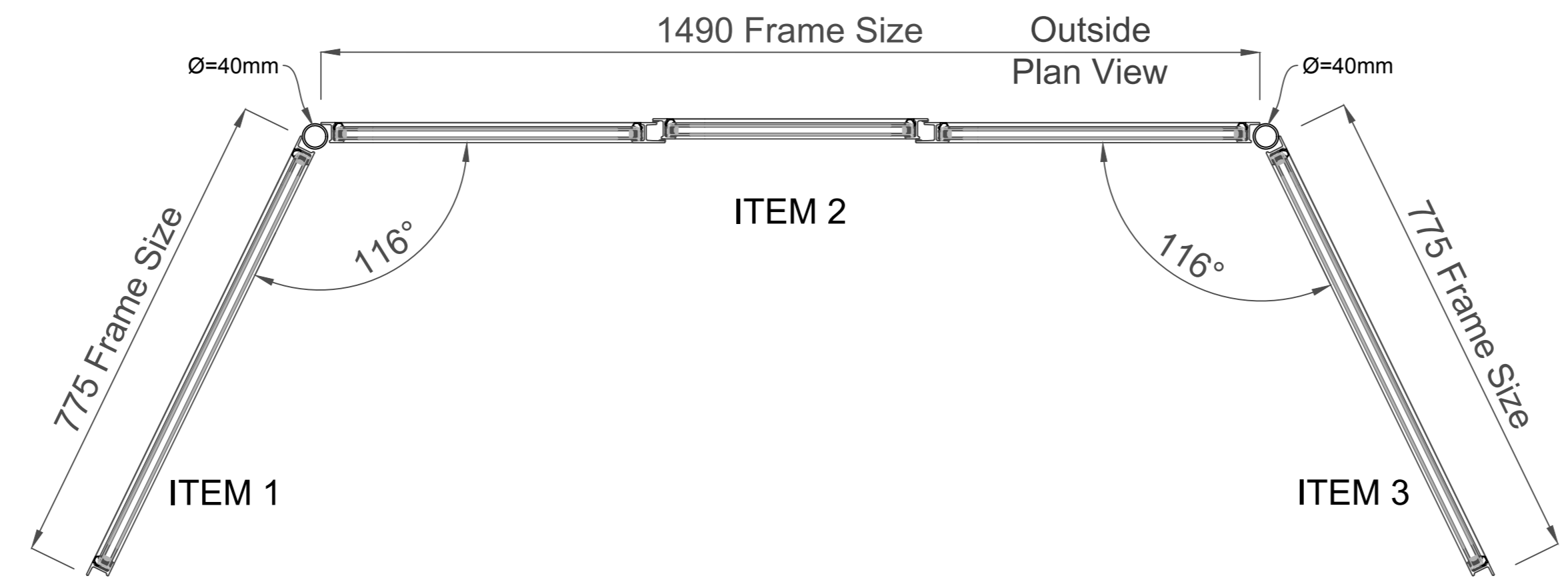
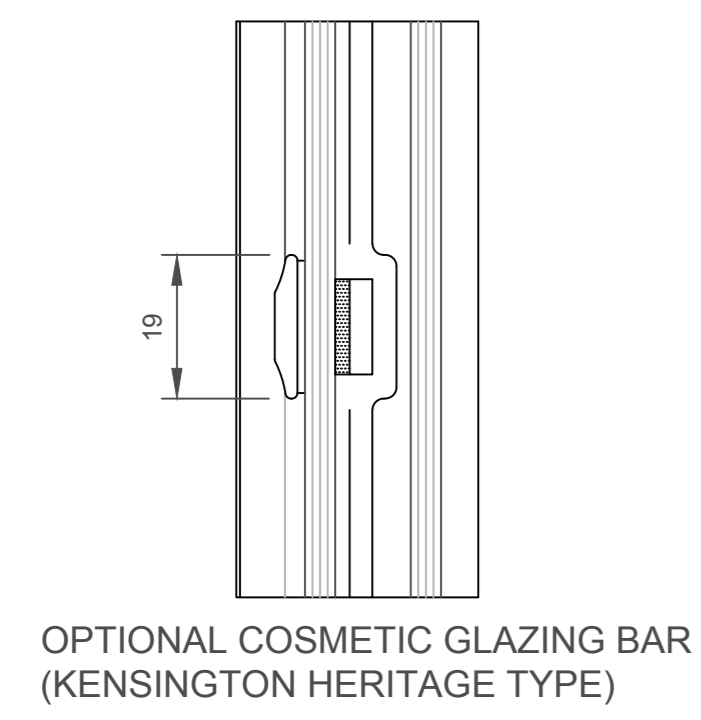


All Elevations Are Viewed From Outside



**SPECIFICATION:**  
**ELEVATIONS** - VIEWED FROM OUTSIDE  
**SECTIONS** - HOMELIGHT PLUS STEEL  
**SIZES** - TO O/ALL FRAME SIZE  
**GLAZING** -GLAZED OUT FOR 18mm DGU  
**FITTINGS** -  
**SIDE HUNG CASEMENTS**  
 1 PAIR: PROJECTING FRICTION HINGES  
 1No. 158 CURVED HANDLE (LOCKING) IN OIL RUB BRONZE ORB FINISH  
**TOP HUNG CASEMENTS**  
 1 PAIR: NON-PROJECTING NON-FRICTION HINGES  
 1No. 375 PEG STAY (LOCKING) IN OIL RUB BRONZE ORB FINISH  
**FIXED AND GLAZED BY BESPOKE GLAZING DESIGN.**  
**PAINT FINISH** -RAL9911 MATT - WHITE  
**GLASS SPECIFICATION** -  
 EXTERNAL: 4mm TOUGHENED LOW IRON  
 CAVITY: 10mm KRYPTON WITH WHITE W.E.T SPACER  
 INTERNAL: 4mm TOUGHENED PLANITHERM TOTAL +  
 KENSINGTON ASTRAGAL BAR (RAL9911) WITH 10mm CUT BACK  
 SILICONE COLOUR: WHITE

**ADDITIONAL MATERIALS**  
 2No. 42mm TUBE MULLION @1570mm



All Dimensions Are In Millimeters  
 All Dimensions To Be Checked On-Site  
 Scale@A1: 1:1 & 1:8 - DO NOT SCALE SIZES OFF DRAWINGS

Client Name Brockington Hill	Project No. BGD19086
Installation Address Flat 72 Russell Court Woburn Place BGD6 WC1H 0LW	
Drawn By Maria Villaverde	Date 24/07/19
Sheet Number 1	Items 3
Revision -	
Client Approval Signature	