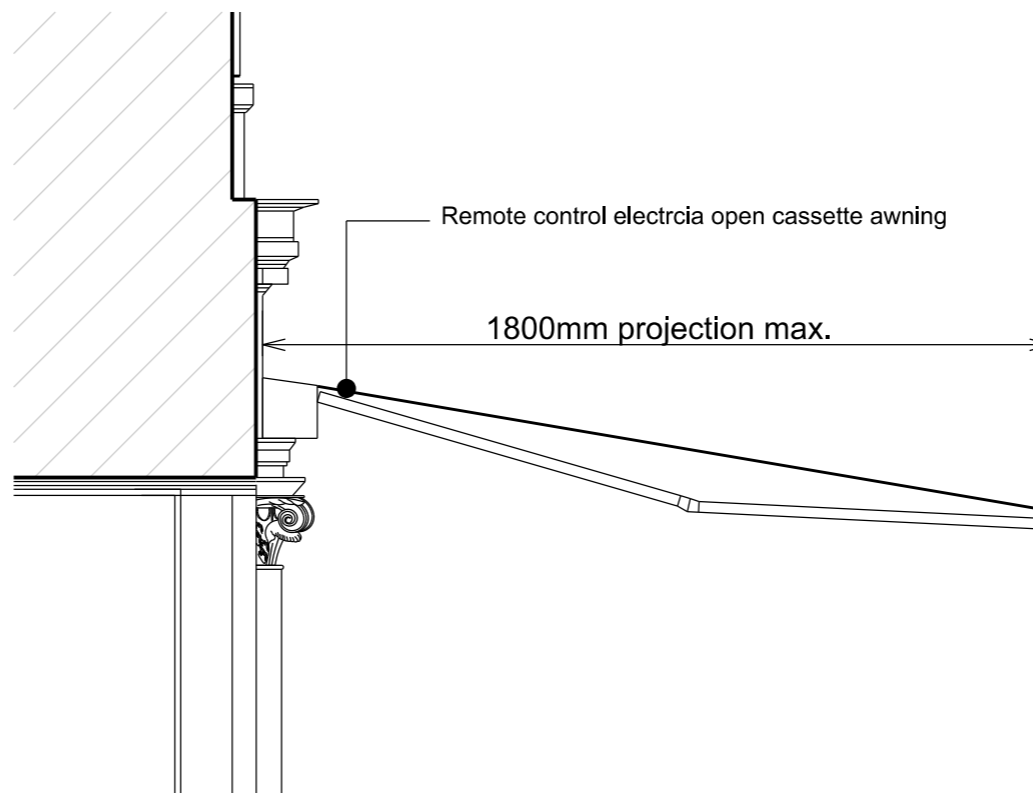
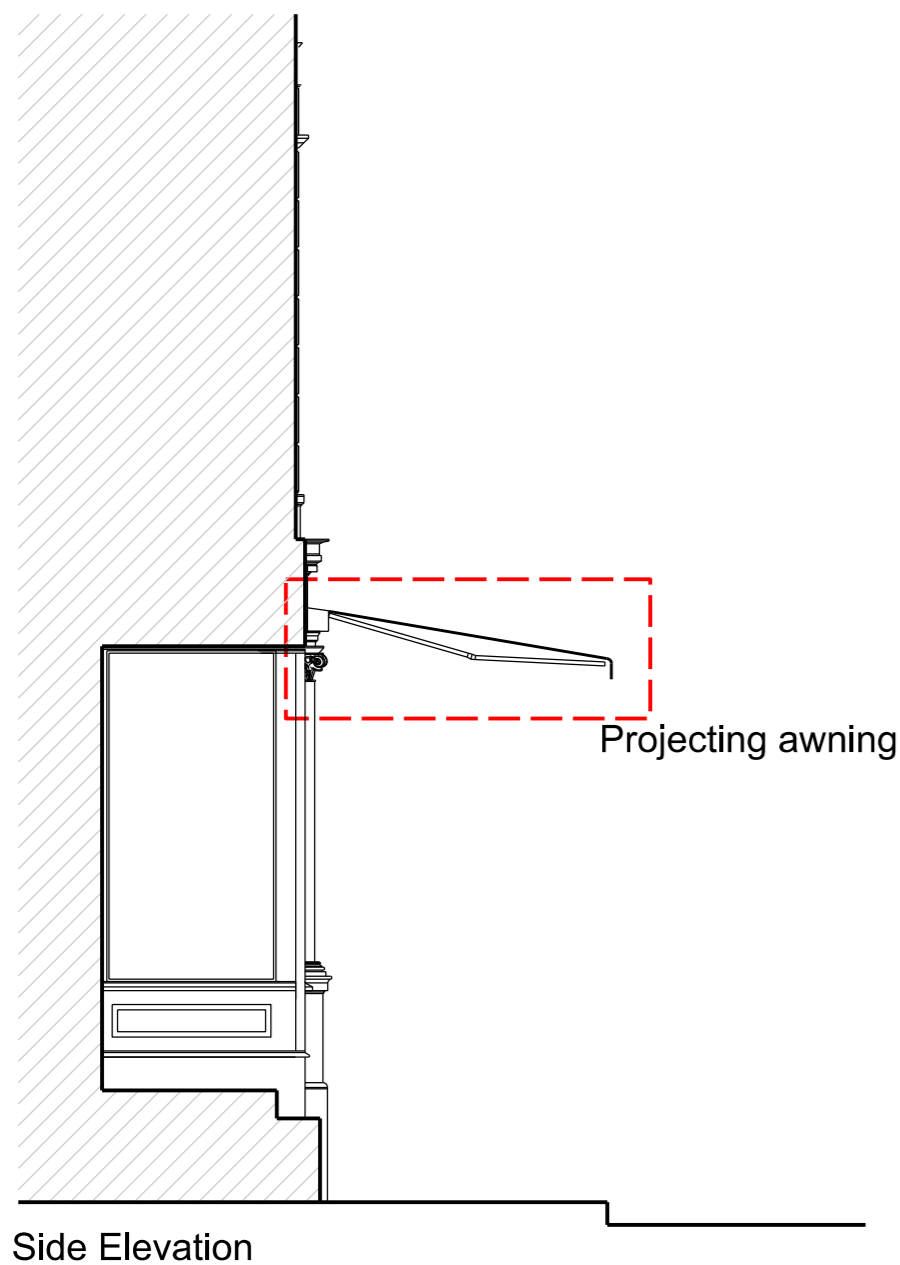


NOTES

Do not scale from drawings



Example images



Awning side elevation



Awning front elevation

-	-	-
-	-	-
-	-	-
-	-	-
-	-	-

REV	DATE	DESCRIPTION
-----	------	-------------

STATUS

**Planning**

CLIENT

**Salah Bouremmane**

PROJECT

**762 - 79-81 Heath Street**

DRAWING DESCRIPTION

**Signage Proposals**

LOCAL AUTHORITY

**Camden Council**

DRAWN BY

**CM**

CHECKED BY

**LM**

SCALE

**1:50**

SHEET SIZE

**A3**

DATE

**31-07-2019**

REVISION

**-**

DRAWING NO.

**762 - P - 202**

SCALE BAR

