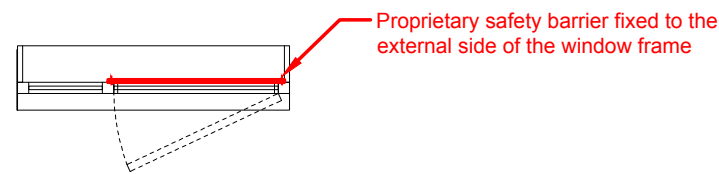
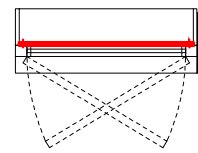
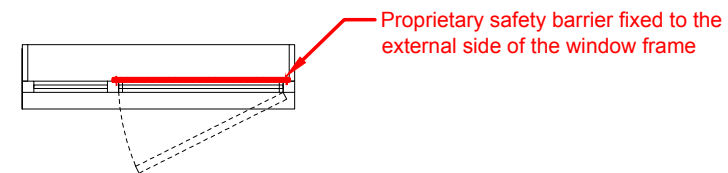
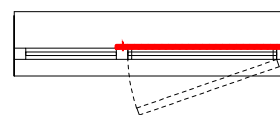
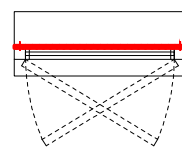
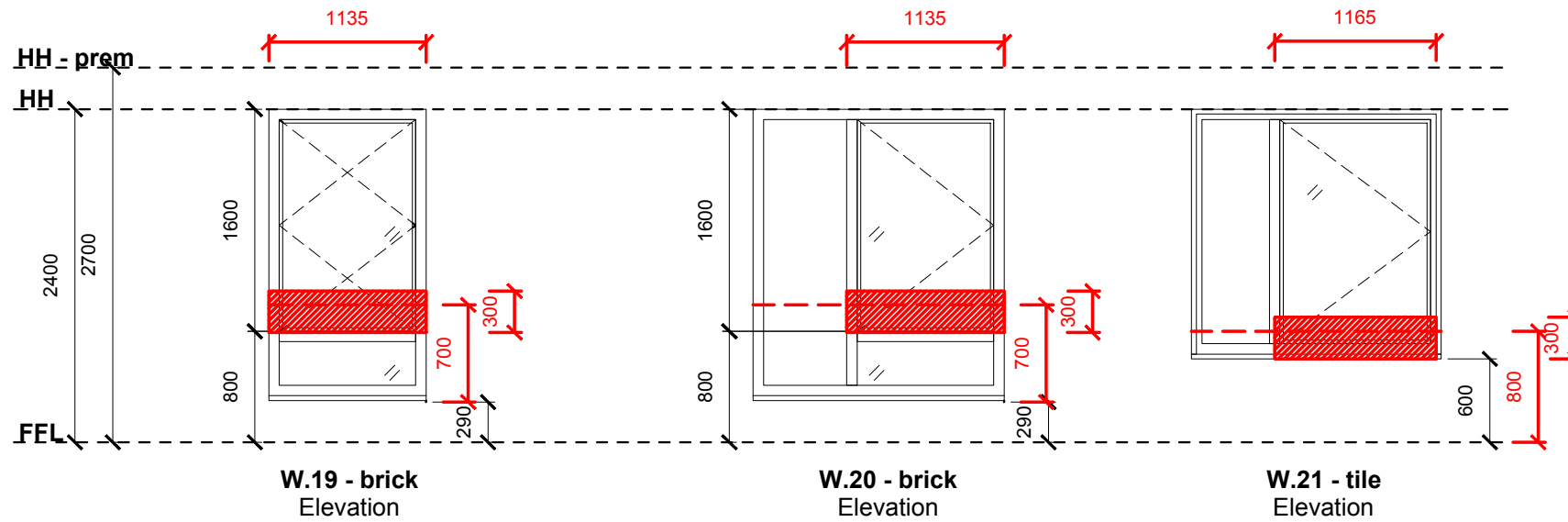


- General Notes:
1. Copyright of this drawing remains the sole property of Cooley Architects unless otherwise assigned in writing.
 2. Figured dimensions are to be worked in all cases with any discrepancies reported to the Architect prior to commencement of any work.
 3. Setting-out is based on outline survey only. All dimensions to be checked on site prior to construction/ordering.
 4. All dimensions are to edge/centre of structural element of wall or to grid-line, unless noted. If unclear consult Cooley Architects.

KEY:
 Location of safety barrier



1 Windows with additional Safety Barriers



2 Windows with additional Safety Barriers

NOT FOR CONSTRUCTION

| | | | | |
|-----|----|--------------------------|-----|----------|
| B | CW | Amendments to Annotation | CC | 09.08.19 |
| A | CW | New Drawing | CC | 07.08.19 |
| REV | BY | DESCRIPTION | CKD | DATE |

Cooley Architects

123 Aldersgate Street London EC1A 4JQ
t: 020 3176 4481 www.cooleyarchitects.com

CLIENT

Labtech
PROJECT
Hawley Wharf
Building WX

DRAWING TITLE
Windows with Safety Barriers
Part 1/2

| | | |
|----------|--------|----------|
| DRAWN BY | DATE | CHECKED |
| CW | Aug 19 | CC |
| SCALE | SIZE | STATUS |
| 1:50 | A3 | Planning |

| | |
|------------------------------------|-----|
| DRAWING No | REV |
| 987 - CYA - WX- XX- DR - A - 00001 | B |