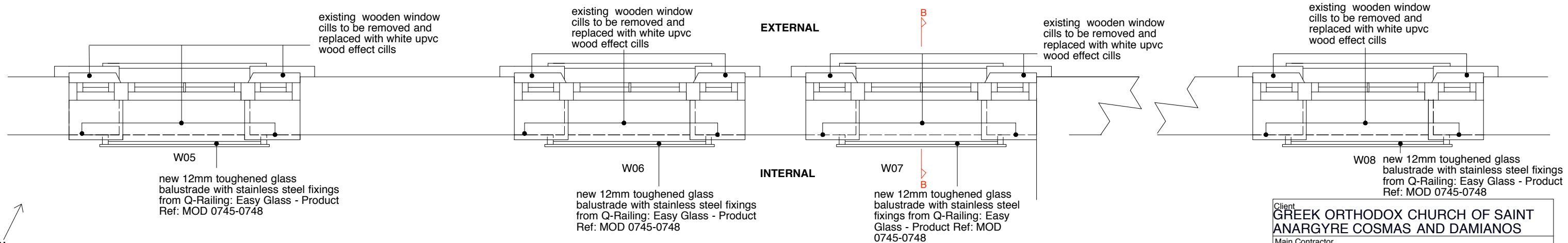


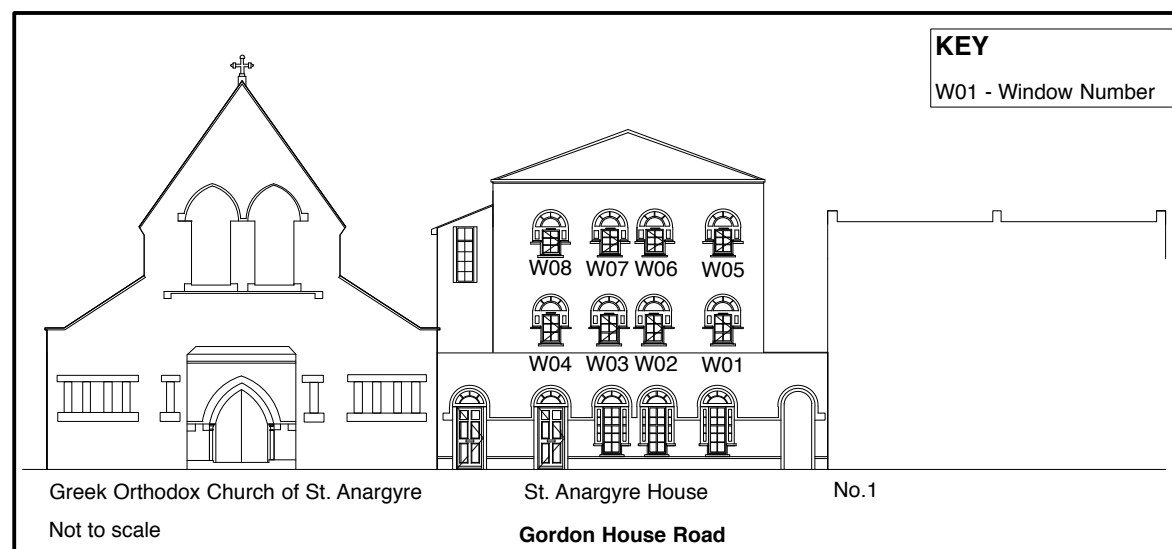
PROPOSED SECOND FLOOR WINDOW'S INTERNAL ELEVATIONS



PROPOSED SECOND FLOOR WINDOW'S PLANS

PROPOSED SECOND FLOOR WINDOW'S INTERNAL ELEVATIONS AND PLAN

Scale 1:20
0 200 400 mm



GLA Architecture and Design
Southgate Office Village, Block E, First Floor,
286A Chase Road, London, N14 6HF
T 020 8886 5100 E g@glaad.co.uk

GENERAL NOTES

1. All windows to be white, wood effect UPVC framed double glazed.
2. Travel restrictors to be installed to each window opening.
3. Trickle ventilators to be installed to each window.
4. New 12mm toughened glass balustrades with stainless steel fixings to be installed - see drawing 1858.10 for details.

Client
GREEK ORTHODOX CHURCH OF SAINT ANARGYRE COSMAS AND DAMIANOS
Main Contractor

Project
WINDOWS' REPLACEMENT FOR ST. ANARGYRE HOUSE, GORDON HOUSE ROAD, LONDON, NW5 1LN
Drawing Title
PROPOSED SECOND FLOOR WINDOW'S INTERNAL ELEVATIONS AND PLANS

Scale 1:20 @ A3	Date June 2019	Drawn By SJ
Project No. 1858	Drawing No. 09	Rev. A-

ALL DIMENSIONS TO BE CHECKED ON SITE
DRAWING STATUS
A SCHEME - Outline/Scheme drawings for proposals, budgets, etc.
B DESIGN DEVELOPMENT - Evolving final design drawings for approvals, tenders, billing etc.
C CONSTRUCTION - Fully developed drawings issued under instruction for construction.
ONLY STATUS 'C' DRAWINGS TO BE USED FOR CONSTRUCTION PURPOSES