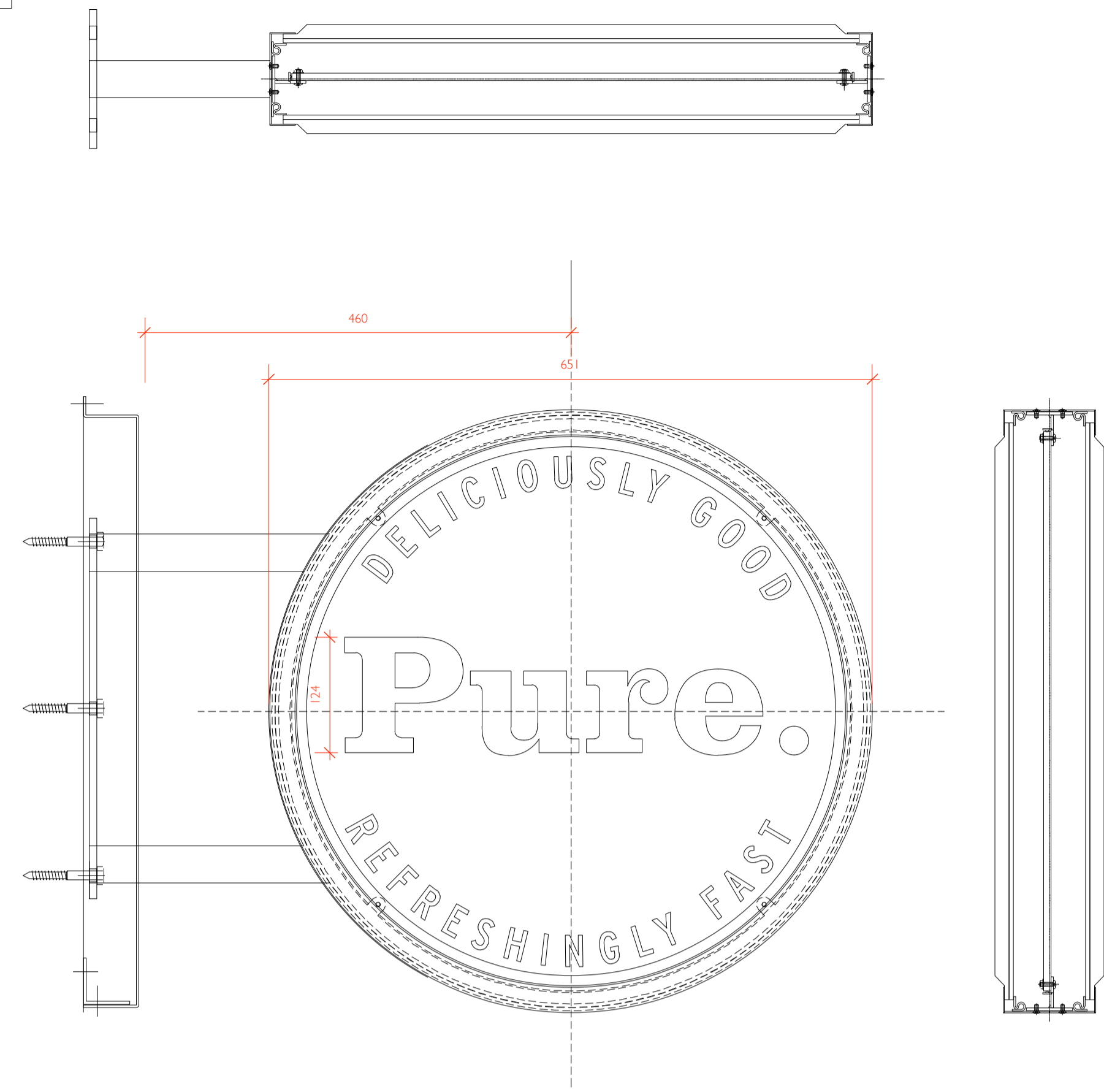


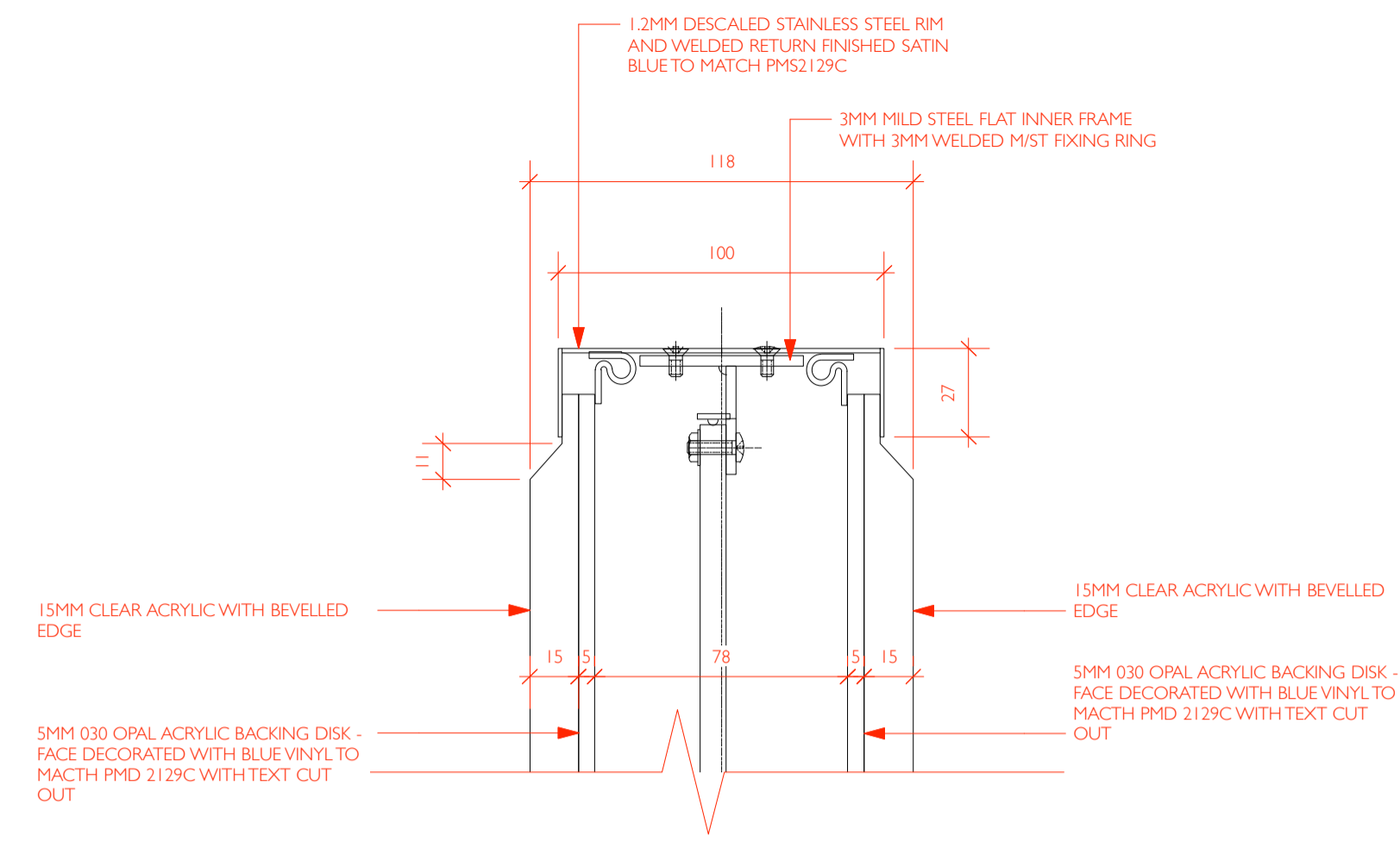
PLAN SECTION THROUGH AT SCALE 1 TO 5



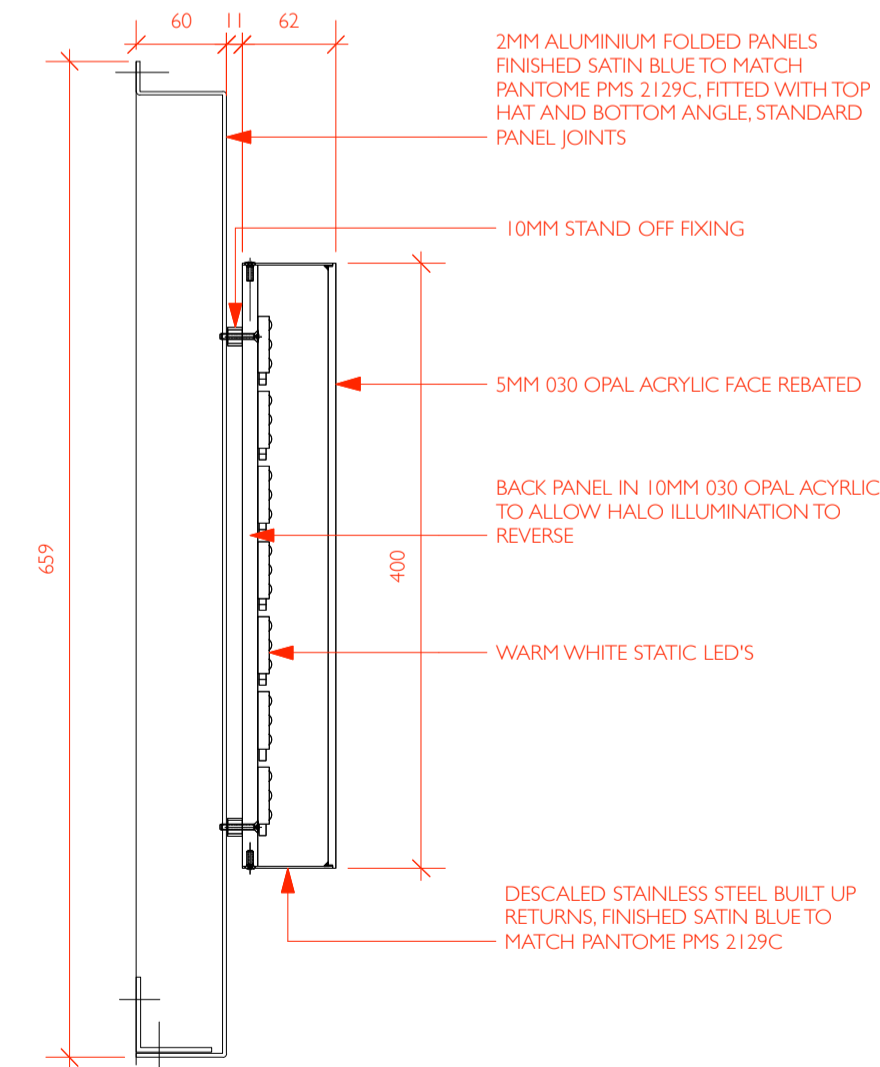
ELEVATION TO PROJECTING SIGNS AT SCALE 1 TO 5



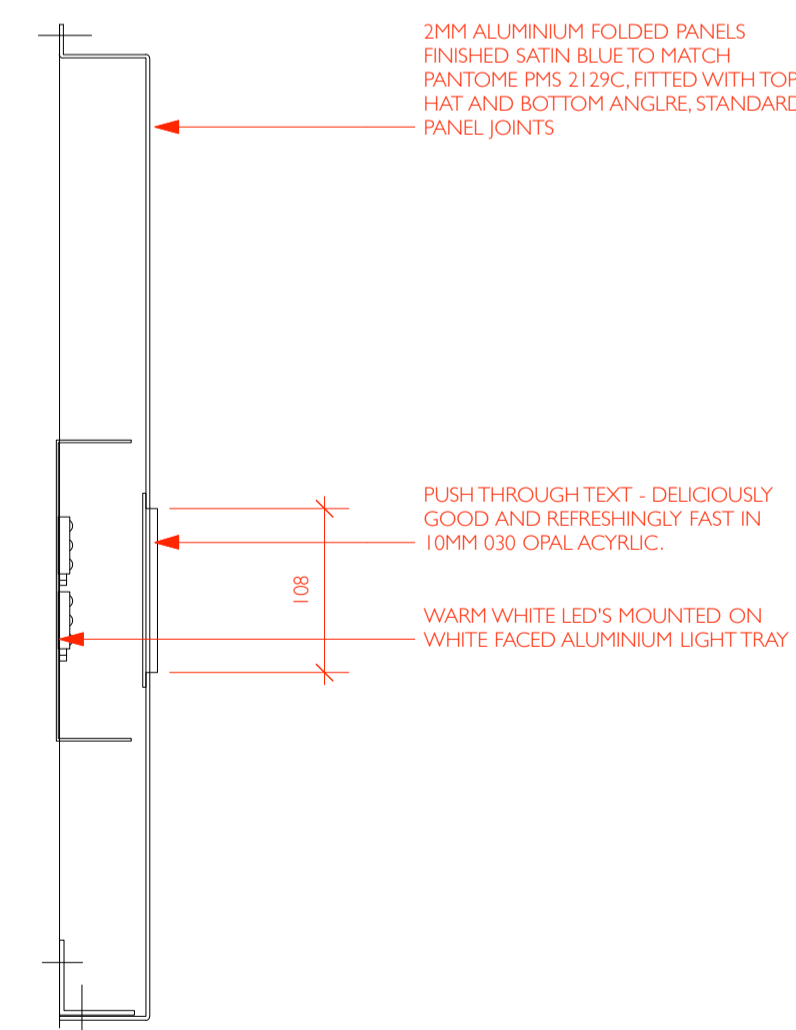
SECTION THROUGH AT SCALE 1 TO 5



DETAIL SECTION THROUGH RIM AT SCALE 1 TO 2



SECTION THROUGH FASCIA AND BUILT UP LETTER AT 1 TO 5



SECTION THROUGH FASCIA FRET CUT TEXT AT 1 TO 5



NON-NOTIFIABLE	X	NOTIFIABLE
----------------	---	------------

**APPLICATION OF REGULATIONS TO NON-NOTIFIABLE PROJECTS**

A PRINCIPLE DESIGNER WILL NOT BE REQUIRED DUE TO THE PROJECT NOT REACHING HSE NOTIFICATION CRITERIA AT THE TIME OF ISSUE.

ONCE ANY DEVELOPMENT WORKS HAVE COMMENCED ON OR OFF SITE IT SHALL BE THE RECIPIENT'S SOLE RESPONSIBILITY TO NOTIFY ANY CLARIFICATION OR VARIATION IN PROGRAMMING, SITE CONDITIONS, OR ANY OTHER QUALIFYING ELEMENTS WHATSOEVER WHICH MAY CHANGE THE PROJECT STATUS & ADVISE THE CLIENT OF HIS RESPONSIBILITIES IN ACCORDANCE WITH THE AFOREMENTIONED REGULATIONS.

**APPLICATION OF REGULATIONS TO NOTIFIABLE PROJECTS**

A PRINCIPLE DESIGNER AND CONTRACTOR IS TO BE APPOINTED BY THE CLIENT. CONTRACTORS ARE ALSO ADVISED TO REFER TO ANY SPECIFIC RISK IDENTIFIED BELOW AND ANY RISK ANALYSIS DOCUMENT SUPPLIED BY THE FRUITFUL DESIGN CONSULTANCY LTD WHEN CONSIDERING THEIR CONSTRUCTION PHASE PLAN.

Revisions & Notes

Revision	Date	Description
----------	------	-------------

The Fruitful Design Consultancy Ltd  
Unit 5, Chiltern House, Waterside, Chesham, Bucks, HP5 1PS  
T. 01494 771512 E. jmo@befruitful.co.uk

Client Name:  
HEALTHY RETAIL LTD

Project Title:  
PURE - SHAFTESBURY AVENUE

Drawing Title:  
SIGNAGE DETAILS

Drawing N°:  
PURE.507.21

Revision:  
1:10

Scale @ A1:  
1:10

Date:  
05/19

Drawn by:  
JMO

Checked by:  
MI

THIS DRAWING AND ANY ASSOCIATED DESIGN INTENT INFORMATION, IN ANY FORMAT ARE THE PROPERTY OF THE FRUITFUL DESIGN CONSULTANCY LTD.  
COPYRIGHT IS RESERVED BY THE FRUITFUL DESIGN CONSULTANCY LTD. THIS DOCUMENT IS ISSUED ON CONDITION THAT IT IS NOT COPIED, AMENDED OR DISCLOSED IN ANY WAY BY OR TO ANY UNAUTHORIZED PERSONS WITHOUT THE PRIOR CONSENT IN WRITING OF THE FRUITFUL DESIGN CONSULTANCY LTD.

DO NOT SCALE FROM THIS DRAWING.  
ALL DIMENSIONS ARE IN MILLIMETERS UNLESS OTHERWISE STATED.  
DIMENSIONS ON SITE AND ALL EQUIPMENT SIZES TO BE VERIFIED PRIOR TO WORK COMMENCING IF IN DOUBT ASK.