



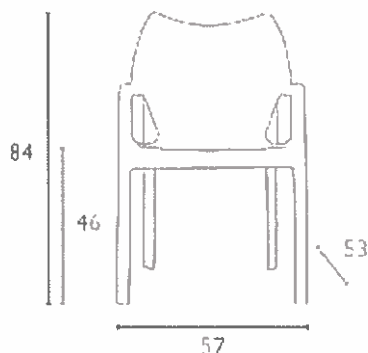
PRET

Pret A Manger - Cafe Chairs

Synthetic and recycled furniture produced using a single injection of polypropylene reinforced with glass fibre obtained using the latest generation of air moulding technology available in a variety of styles and colours to suit indoor or outdoor dining. All Café Chairs are stackable. Cafe chairs a low maintenance item for your outdoor area.



Dimensions



Technical Specification
Injection of polypropylene
reinforced with glass fibre



All Chairs are
stacking for
easier storage



PRET

Pret A Manger - Tables

Laminated table top (RAL 7015 Slate grey) fixed to durable but lightweight aluminium base (RAL 9004 signal black) which stack neatly for storage. Feet have adjustable feet for uneven surface. Tables are low maintenance item for your outdoor area.



Dimensions

Length 600mm
Width 600mm
Height 736mm

Technical Specification

Top manufactured of high pressure laminate with a durable work surface.

Powder coated aluminium tilting base.