

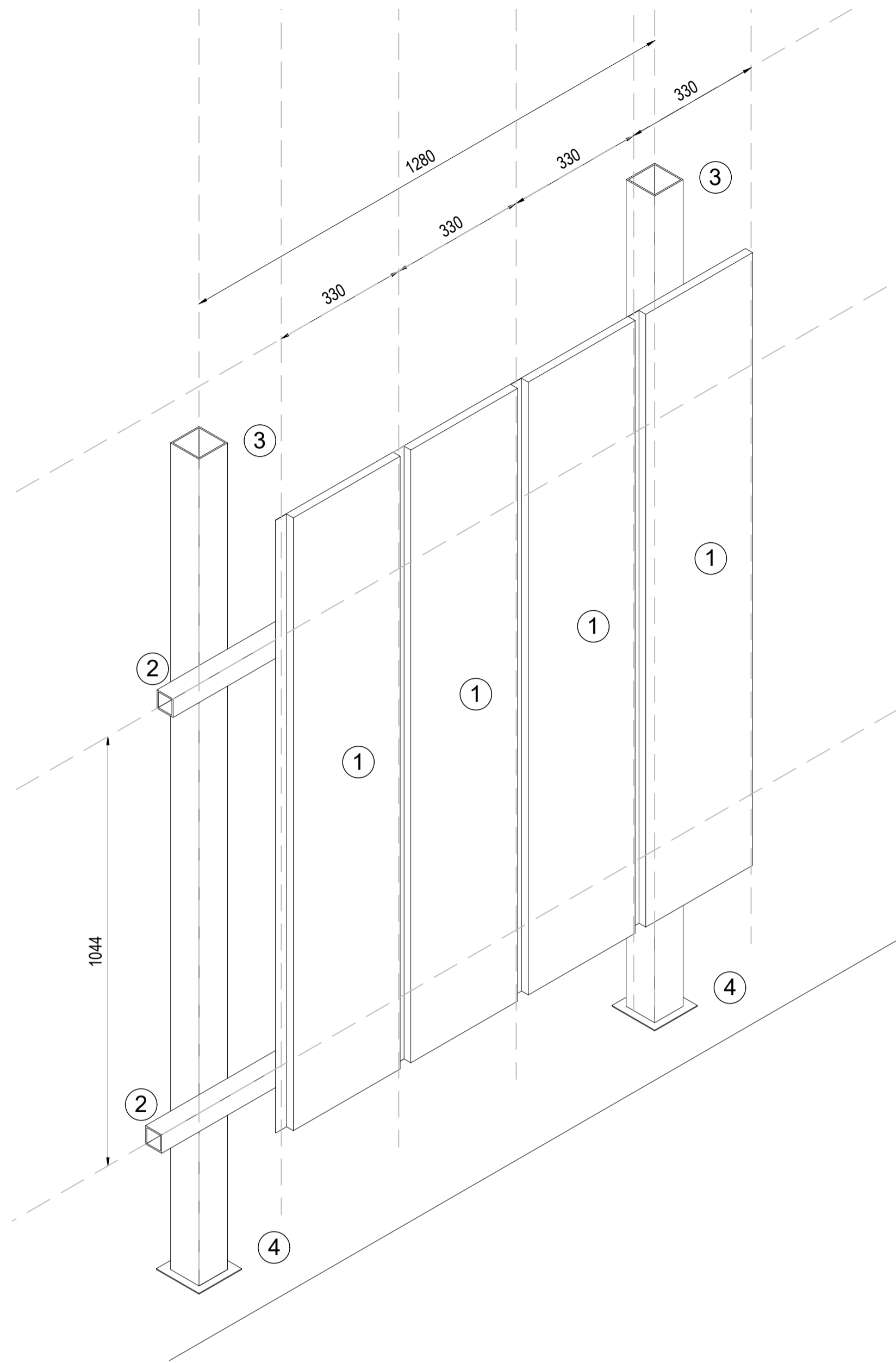
GENERAL NOTES

Do not scale from drawings.
To be read in conjunction with all relevant Architects', Services and Structural Engineers' drawings.
All dimensions to be checked on site.
Errors to be reported immediately to the Architect.

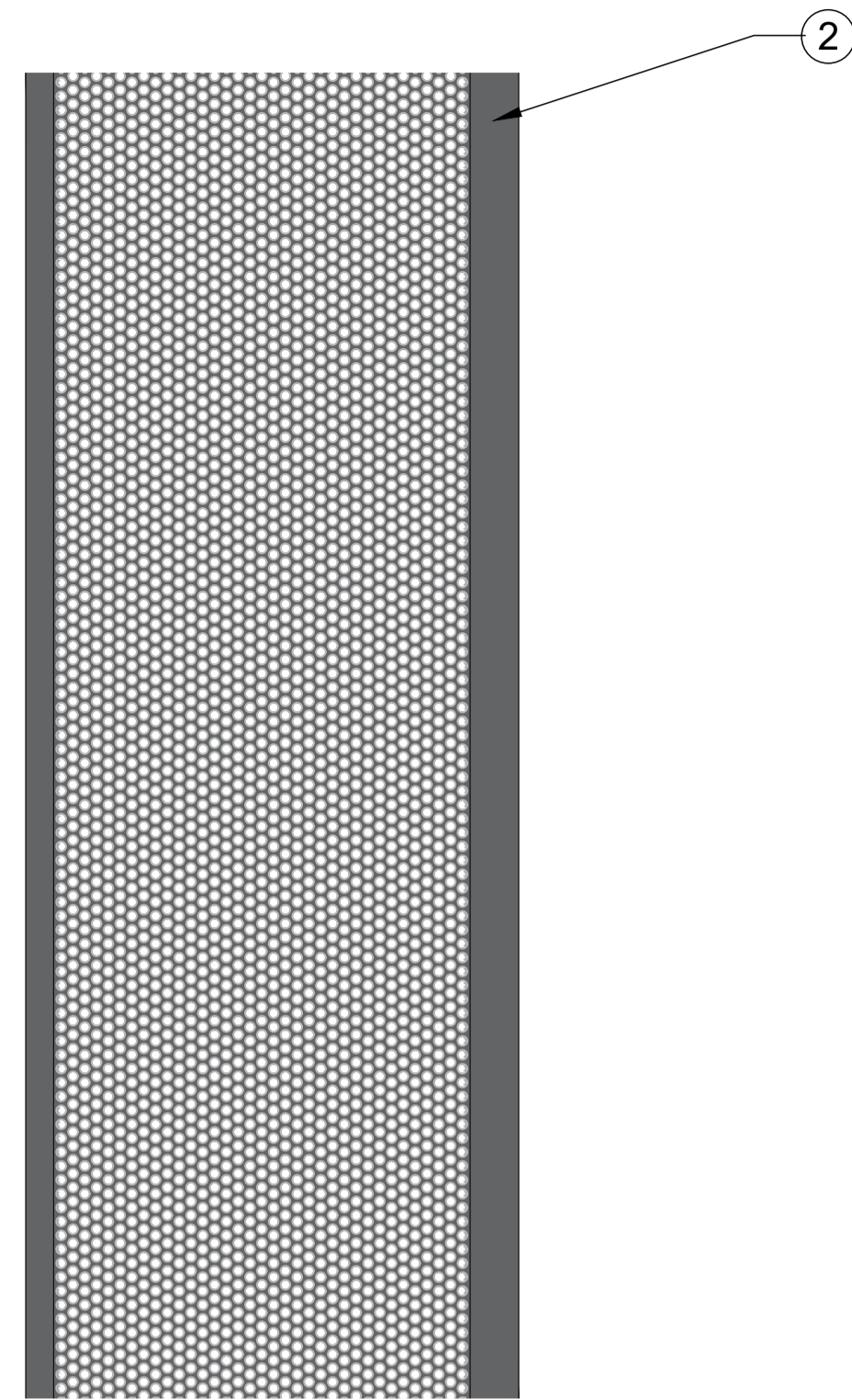
Boundary line
NOTE: Drawings based on outline survey from different sources

INTERLOCKING PANEL

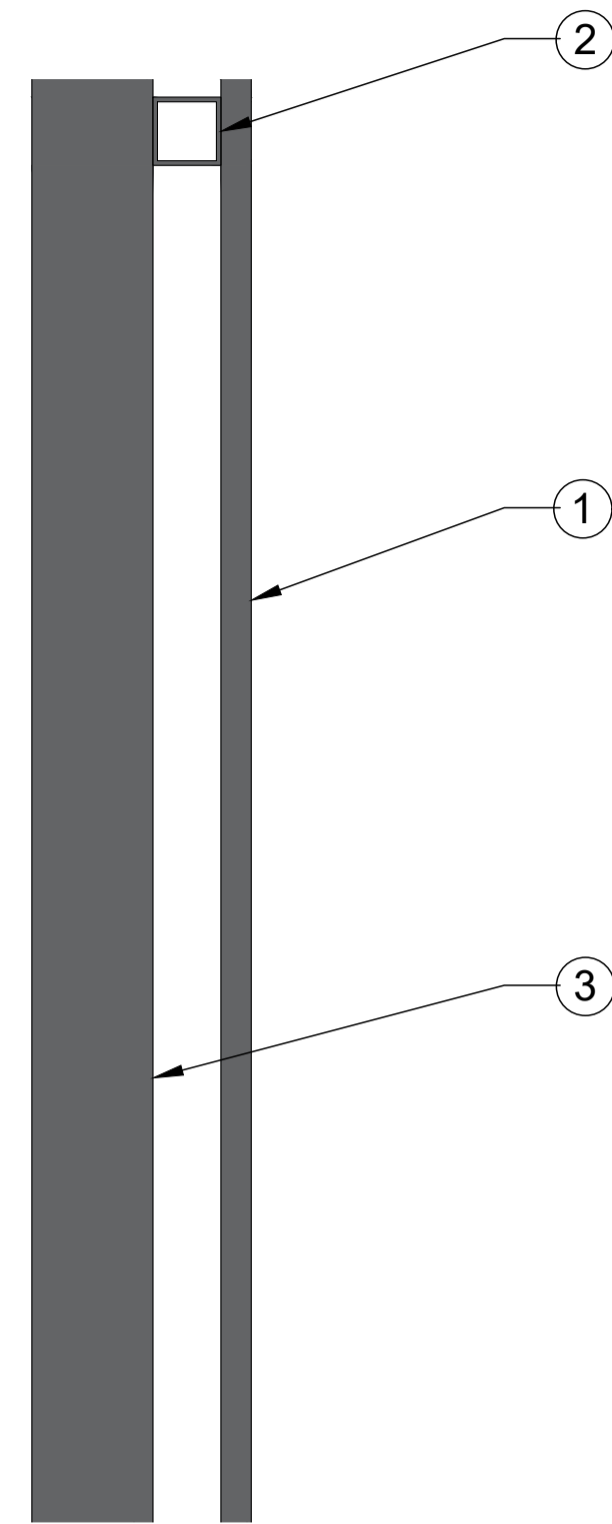
- ① VMZINC Interlocking Panels
- ② Horizontal steel frame 45x45 mm
- ③ Vertical posts 80 x 80 mm
- ④ Square steel plate 120 x 120 mm



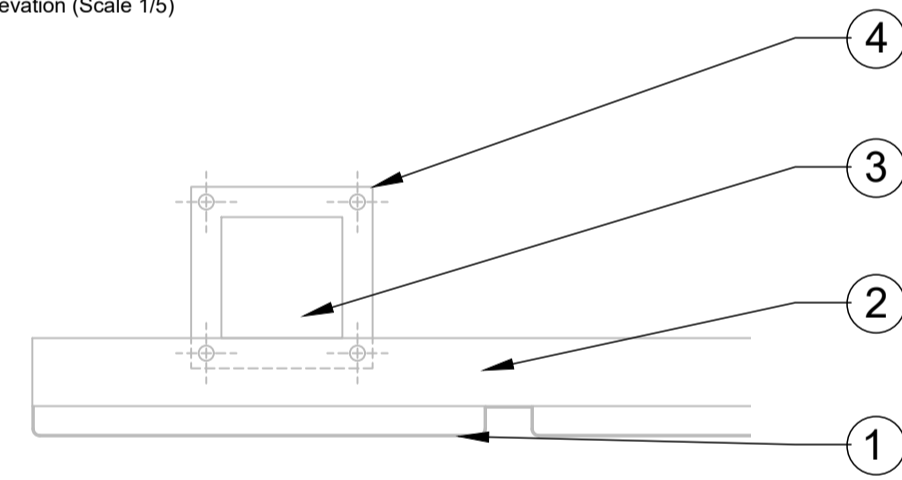
dE05 | Envelope Details: Roof enclosure
01 | Roof plan (Scale 1/10)



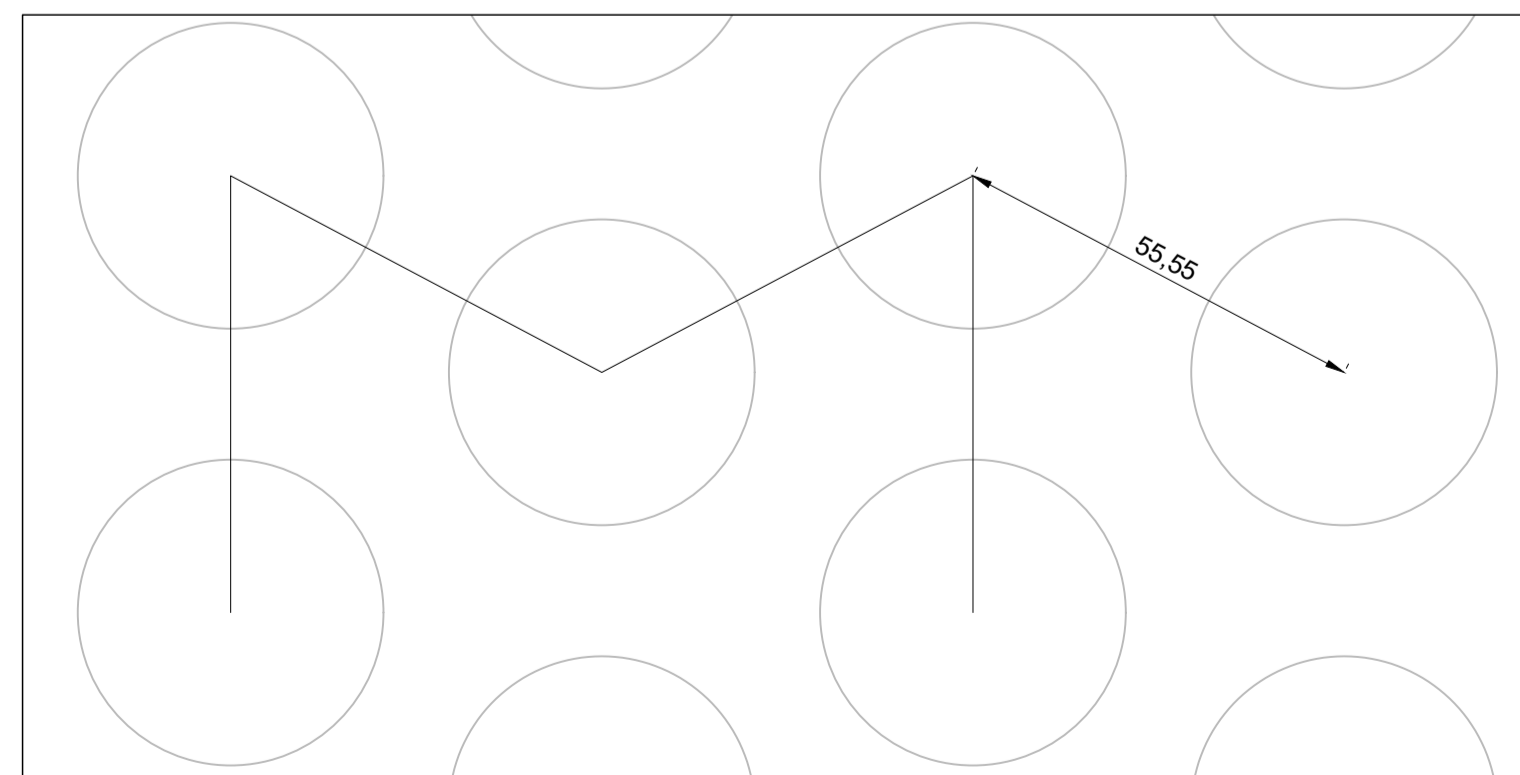
dE05 | Envelope Details: Roof enclosure
02 | Elevation (Scale 1/5)



dE05 | Envelope Details: Roof enclosure
03 | Section (Scale 1/5)



dE05 | Envelope Details: Roof enclosure
04 | Plan (Scale 1/5)



Holes' layout: Quinconce à 90°
M: 10,12mm
Diameter: 7mm

dE05 | Envelope Details: Roof enclosure
05 | Perforated layout (Scale 1/1)

Rev.	Date	Description	DB	CB
P1	29.07.2019	Issued for planning	AG	PA

TT Architects

2 Eustace House
Old Paradise Street
London, SE11 6AN

Project
Z-WILD COURT
4 Wild Court & 75 Kingsway
London
WC2B 4AU

Client
Z Hotels

Drawing Name
Envelope Details
Roof enclosure detail 02

Date	Issue
23.04.2018	For planning
Scale	Drawn/Checked
As shown	AG/PA

Drawing No. & Revision

005-dE05-P1