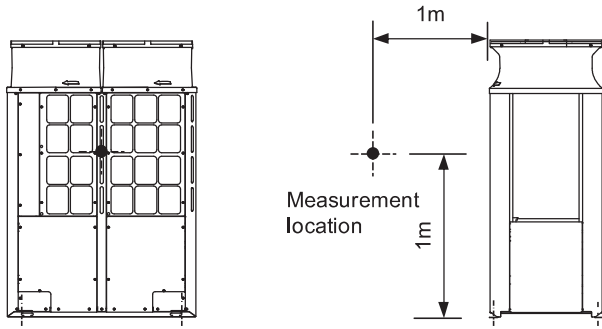
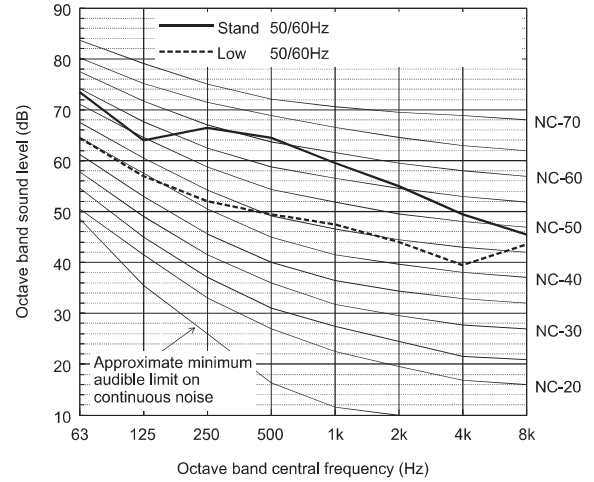


Measurement condition
PURY-P350, 400, 450YNW-A(-BS)



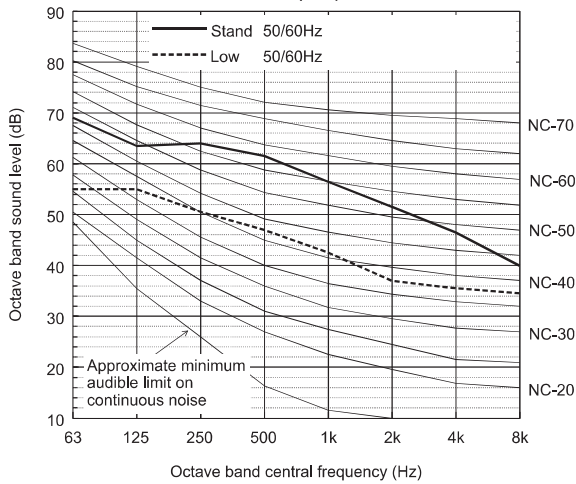
Sound level of PURY-P450YNW-A(-BS)



		63	125	250	500	1k	2k	4k	8k	dB(A)
Standard	50/60Hz	73.5	64.0	66.5	64.5	59.5	55.0	49.5	45.5	65.5
Low noise mode	50/60Hz	64.5	57.0	52.0	49.5	47.5	44.0	39.5	43.5	53.0

When Low noise mode is set, the A/C system's capacity is limited. The system could return to normal operation from Low noise mode automatically in the case that the operation condition is severe.

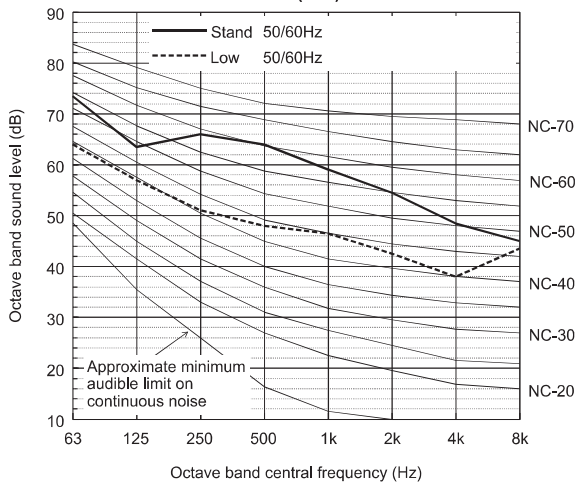
Sound level of PURY-P350YNW-A(-BS)



		63	125	250	500	1k	2k	4k	8k	dB(A)
Standard	50/60Hz	69.0	63.5	64.0	61.5	56.5	51.5	46.5	40.0	62.5
Low noise mode	50/60Hz	55.0	55.0	50.5	47.0	42.5	37.0	35.5	34.5	49.0

When Low noise mode is set, the A/C system's capacity is limited. The system could return to normal operation from Low noise mode automatically in the case that the operation condition is severe.

Sound level of PURY-P400YNW-A(-BS)



		63	125	250	500	1k	2k	4k	8k	dB(A)
Standard	50/60Hz	73.5	63.5	66.0	64.0	59.0	54.5	48.5	45.0	65.0
Low noise mode	50/60Hz	64.0	57.0	51.0	48.0	46.5	42.5	38.0	43.5	52.0

When Low noise mode is set, the A/C system's capacity is limited. The system could return to normal operation from Low noise mode automatically in the case that the operation condition is severe.

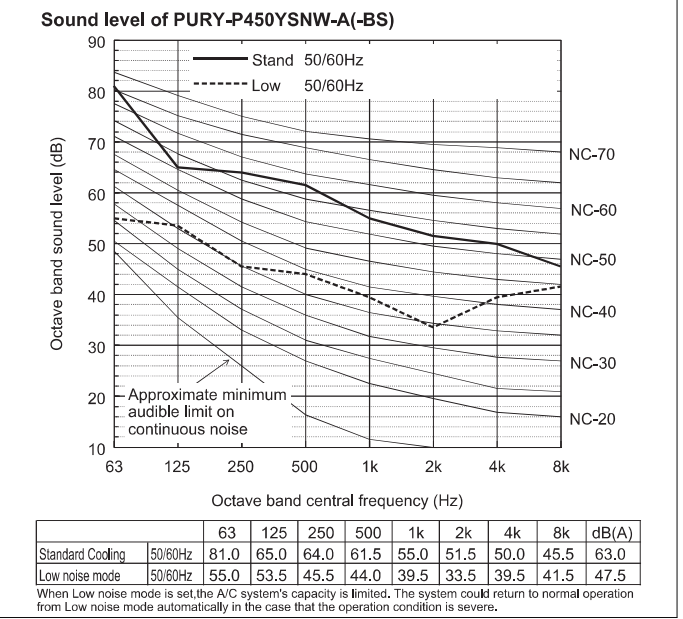
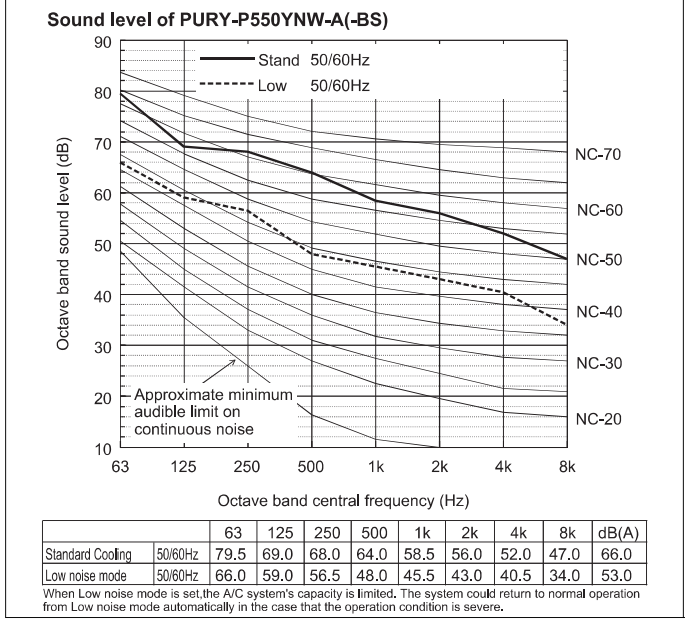
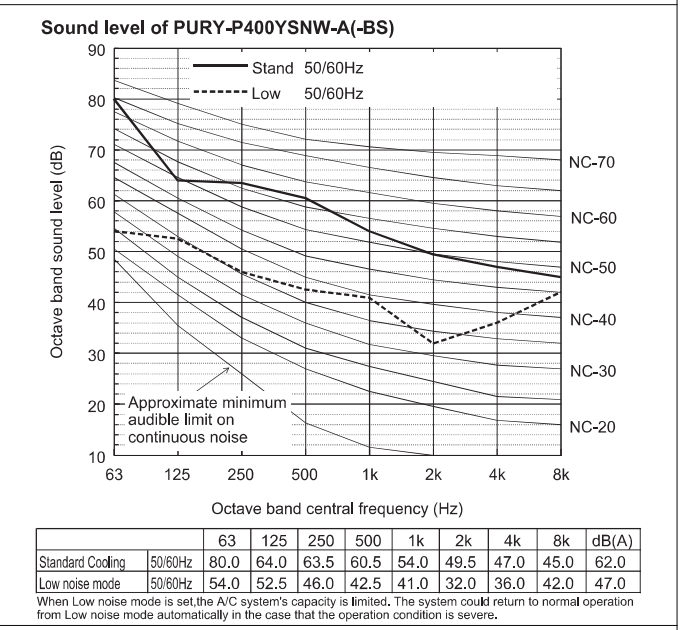
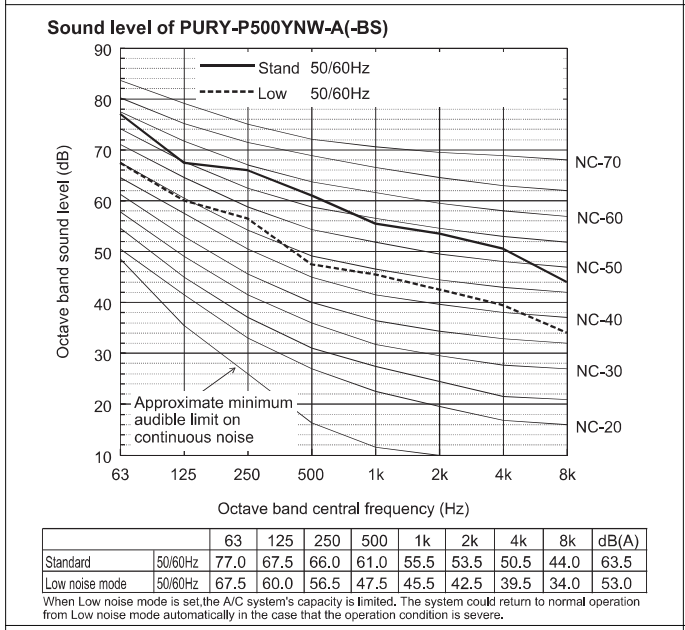
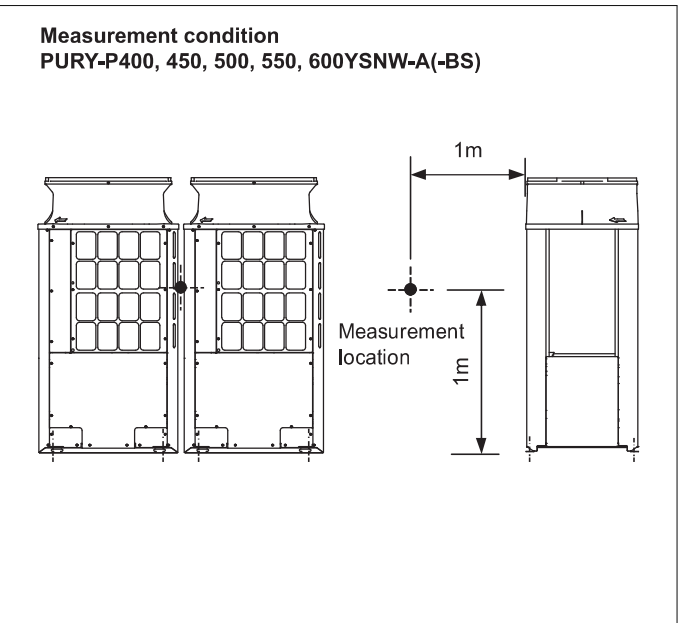
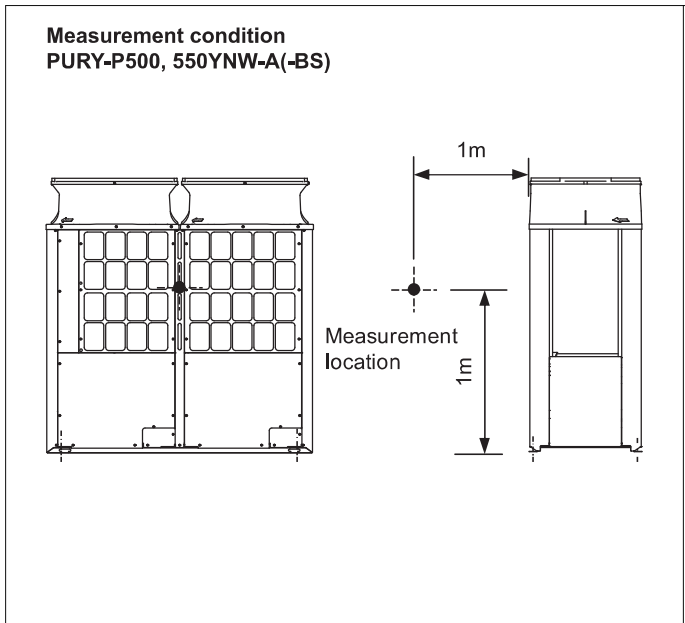
- ◆ Depending on the operation conditions, the unit generates noise caused by valve actuation, refrigerant flow, and pressure changes when operating normally. Please consider to avoid location where quietness is required. For BC controller, it is recommended to be installed in places such as ceilings of corridor, rest rooms and plant rooms.

© copyright 2019 Yacoustics — All rights reserved

PURY-P-Y(S)NW-A

PURY-P-Y(S)NW-A

© copyright 2019 Yacoustics - All rights reserved

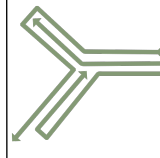
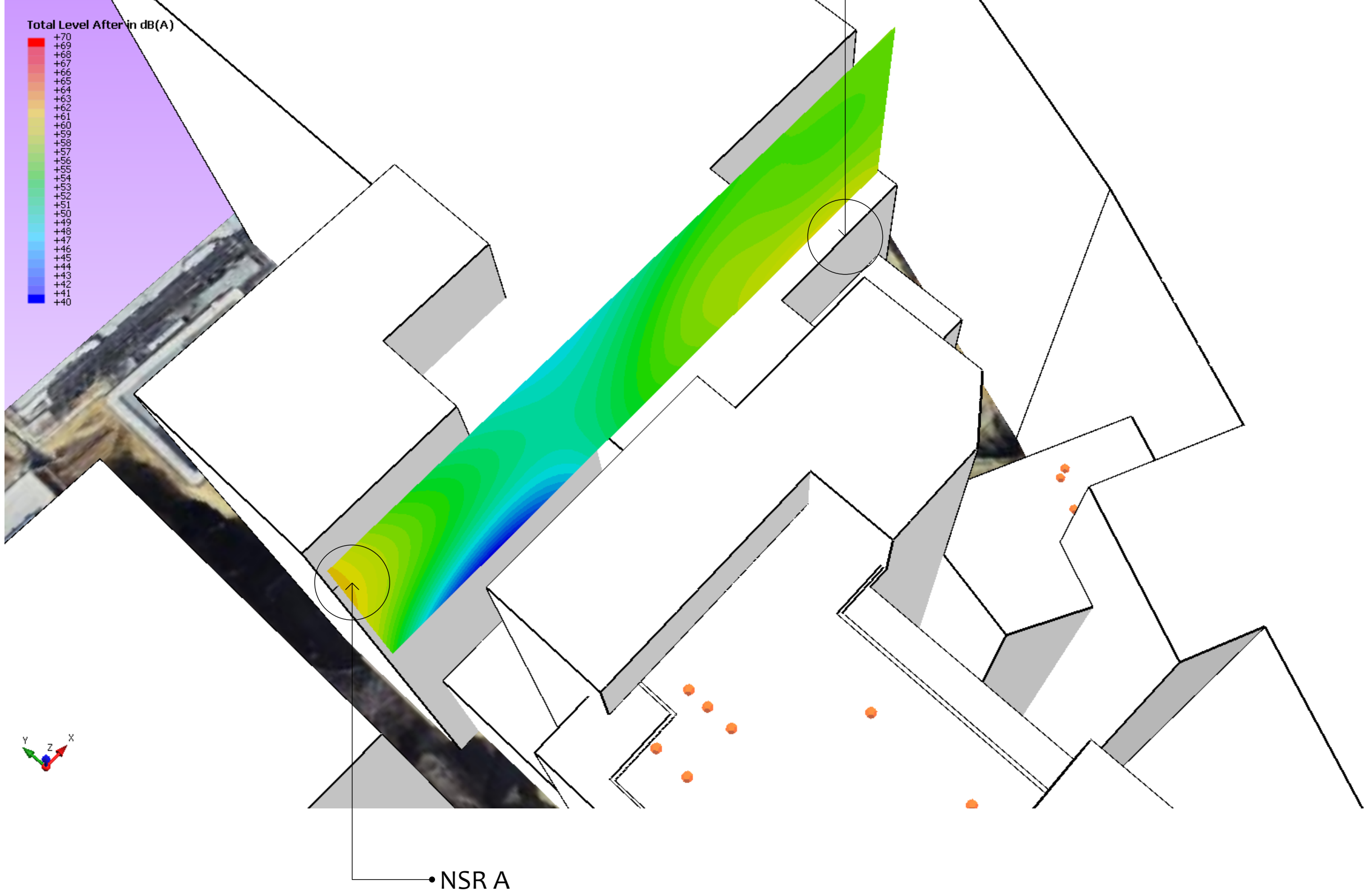
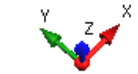


• Depending on the operation conditions, the unit generates noise caused by valve actuation, refrigerant flow, and pressure changes when operating normally. Please consider to avoid location where quietness is required. For BC controller, it is recommended to be installed in places such as ceilings of corridor, rest rooms and plant rooms.

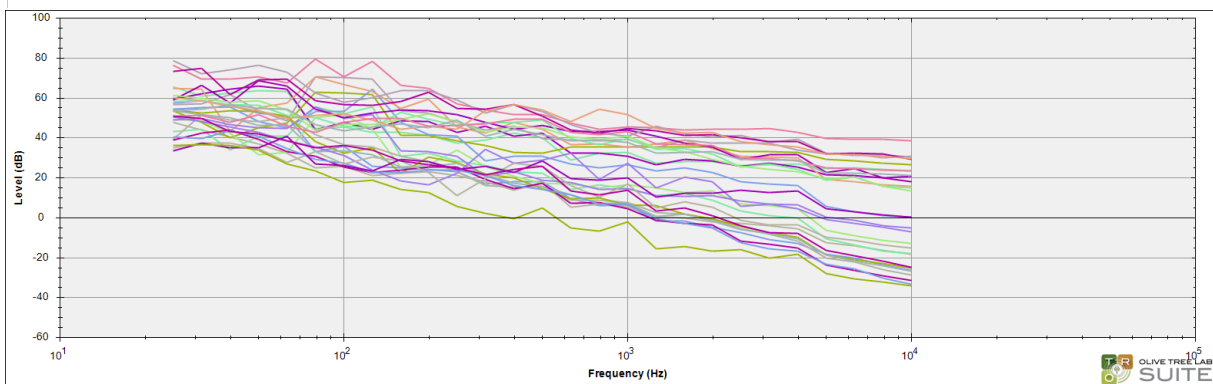
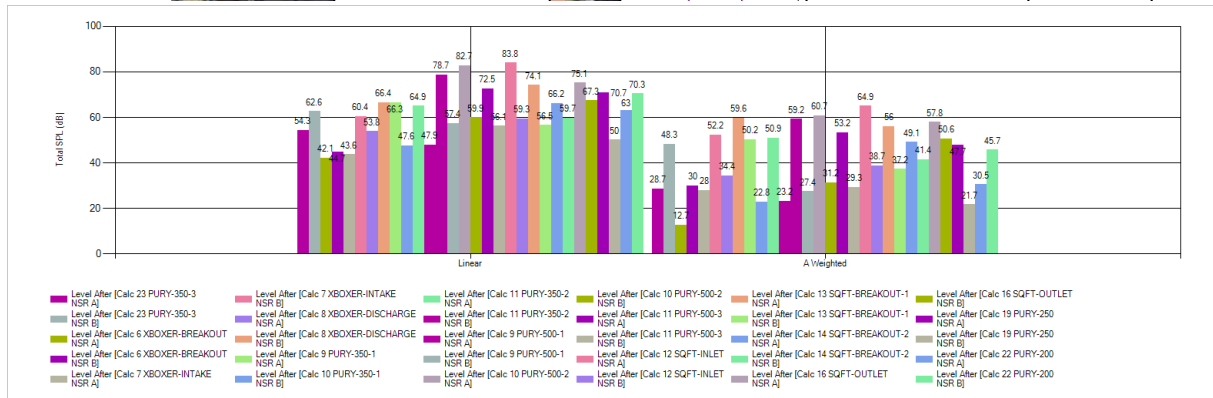
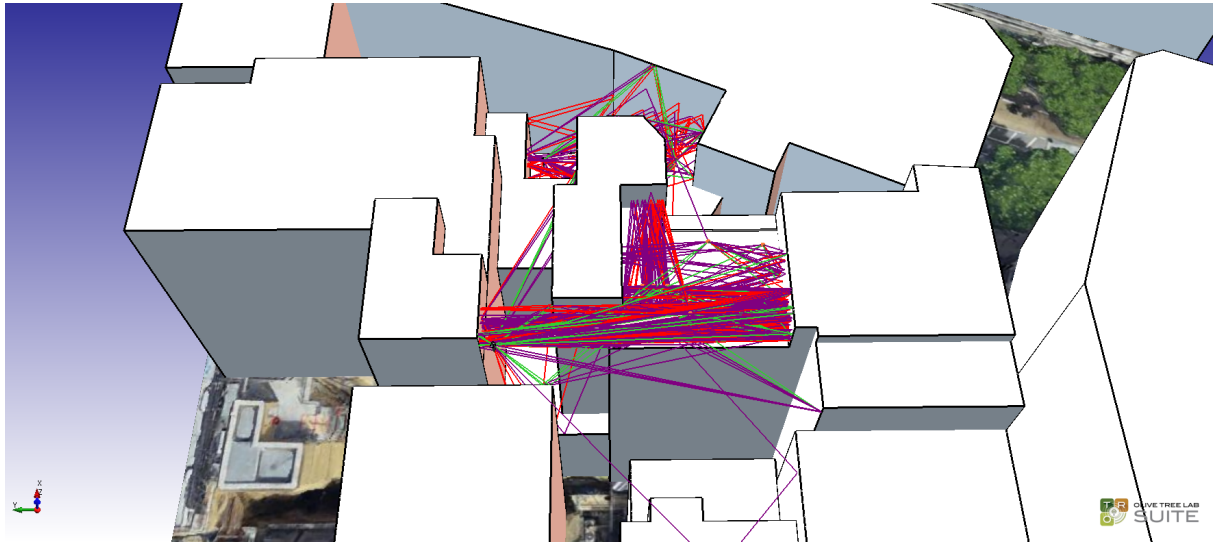
ANNEX C – Noise sensitive receivers (NSRs)



ANNEX D – Most exposed facade areas

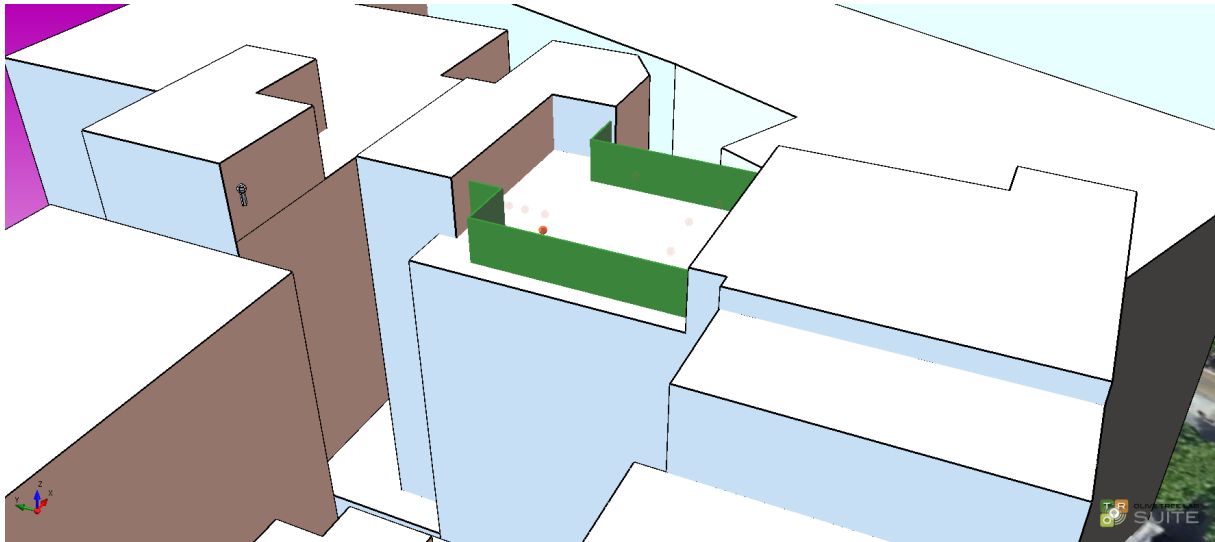


ANNEX E – Digital geometric acoustics model calculations details



ANNEX F – Mitigation solutions

F.1 Proposed opaque barrier



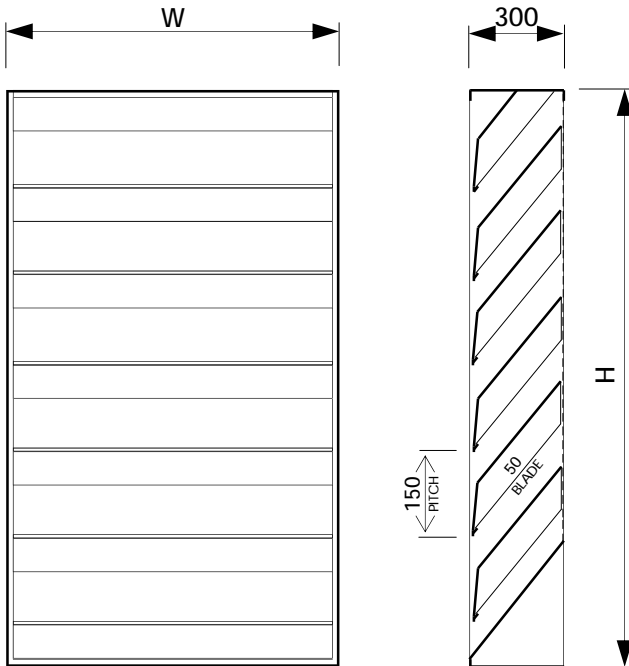
F.2 Manufacturers technical documents

DATA SHEET L70E ACOUSTIC LOUVRE MODEL AL3015



THIS IS NOT A STAND ALONE DOCUMENT AND UNLESS REFERRED TO IN A DATED EQUIPMENT SCHEDULE IS SUBJECT TO REVISION WITHOUT NOTICE.

DIMENSIONS



SPECIFICATION

LOUVRES ARE CONSTRUCTED FROM FOLDED SHEET METAL AND HAVE A SERIES OF HORIZONTAL BLADES CONTAINED WITHIN A FOUR SIDED EXTERNAL FRAME.

THE MATERIAL OF CONSTRUCTION MAY BE PRE-GALVANISED STEEL (SUFFIX G) OR ALUMINIUM (SUFFIX A).

GALVANISED BIRD SCREENS ARE FITTED AS STANDARD.

CASING SIDES ARE PROVIDED WITH 10mm DIA HOLES FOR FIXING ADJACENT SECTIONS TOGETHER, OR FIXING THE LOUVRE INTO THE BUILDERSWORK OPENING.

LOUVRES ARE SUPPLIED SELF FINISH AS STANDARD OR WITH AN OPTIONAL POLYESTER POWDER FINISH (SUFFIX P).

NOTES

THIS DATA SHEET IS TO BE READ IN CONJUNCTION WITH THE EQUIPMENT SCHEDULE.

WIDTH (W) AND HEIGHT (H) DIMENSIONS GIVEN ON THE EQUIPMENT SCHEDULE ARE AS MANUFACTURED. ADEQUATE CLEARANCE MUST BE ALLOWED WHEN CONSTRUCTING THE BUILDERSWORK OPENING, A MINIMUM OF 10 mm IS RECOMMENDED.

LOUVRES WILL BE SUPPLIED WITHOUT SUPPORT STEELWORK, CLEATS, BRACKETS, FIXINGS, FLASHING, MASTIC, OR OTHER SUCH ITEMS, UNLESS OTHERWISE STATED.

EXCESSIVELY LARGE OR HEAVY LOUVRES MAY BE MANUFACTURED IN MATING SECTIONS FOR EASE OF HANDLING.

LOUVRES ARE MANUFACTURED TO STANDARD SHEET METAL TOLERANCES OF +/- 3 mm.

SUFFIX

THE SUFFIX DEFINES ADDITIONAL FEATURES OR SPECIAL CONSTRUCTIONAL DETAILS

- G GALVANISED STEEL CONSTRUCTION.
- A ALUMINIUM CONSTRUCTION.
- P POLYESTER POWDER COAT.
- X SPECIAL CONSTRUCTION - REFER TO EQUIPMENT SCHEDULE FOR DETAILS.

WEIGHT

LOUVRE WEIGHTS ARE GIVEN ON THE EQUIPMENT SCHEDULE. APPROXIMATELY:

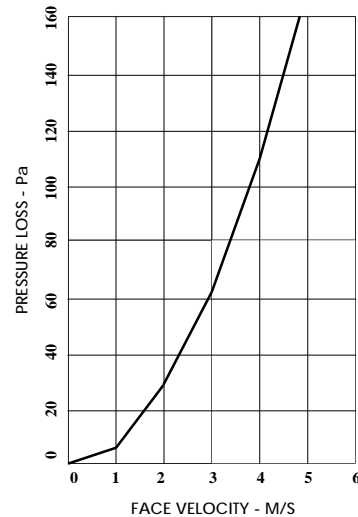
- 52kg/M² GALVANISED CONSTRUCTION
- 37kg/M² ALUMINIUM CONSTRUCTION

ACOUSTIC PERFORMANCE

SOUND REDUCTION INDEX: BS EN ISO 10140 - 2

63	125	250	500	1000	2000	4000	8000	H _n
5	6	8	11	18	25	20	16	dB

PRESSURE LOSS



STANDARD SIZES

THERE ARE NO STANDARD SIZES. ALL LOUVRES ARE MADE TO ORDER.

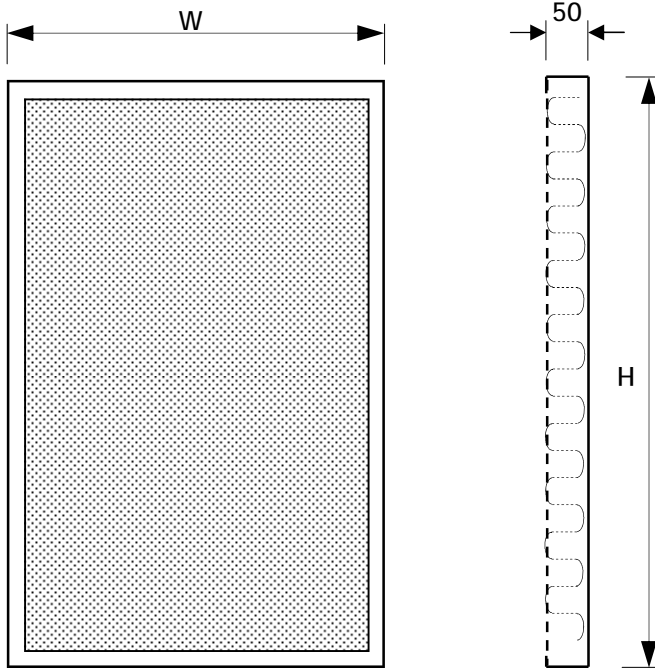
© copyright 2019 Yacoustics - All rights reserved

DATA SHEET E40D ACOUSTIC ENCLOSURE PANEL MODEL EP50/UF



IMPORTANT : THIS IS NOT A STAND ALONE DOCUMENT AND UNLESS REFERRED TO IN A DATED AND CERTIFIED EQUIPMENT SCHEDULE IS SUBJECT TO REVISION WITHOUT NOTICE.

DIMENSIONS



ACOUSTIC PERFORMANCE

SOUND REDUCTION INDEX BS EN ISO 10140/2 : 2010

63	125	250	500	1000	2000	4000	8000	Hz
17	19	26	33	38	42	45	44	dB

SOUND ABSORPTION BS EN ISO 354 : 2003

63	125	250	500	1000	2000	4000	8000	Hz
.10	.25	.65	1.00	1.00	1.00	.95	.90	-

NOTES

THIS DATA SHEET IS TO BE READ IN CONJUNCTION WITH THE EQUIPMENT SCHEDULE

PANELS WILL BE SUPPLIED WITHOUT SUPPORT STEELWORK, BRACKETS, FIXINGS OR MASTIC UNLESS OTHERWISE STATED.

PANELS MORE THAN 1800 WIDE OR 2500 HIGH MAY BE MANUFACTURED IN SECTIONS FOR ON SITE ASSEMBLY.

SPECIFICATION

THE ACOUSTIC ENCLOSURE PANEL COMPRISES A COMBINATION OF SOUND ABSORBENT MATERIALS AND HIGH MASS BARRIERS CONTAINED WITHIN A METAL CASING HAVING AN PLAIN OUTER AND PERFORATED INNER FACE, OFFERING EXCELLENT SOUND REDUCTION AND ABSORPTION PROPERTIES.

PANELS ARE CONSTRUCTED FROM PRE-GALVANISED SHEET STEEL AS STANDARD.

THE OUTER CASING IS FORMED FROM PLAIN SHEET METAL AND INSIDE FACE FROM PERFORATED METAL.

PANELS CONTAIN A FIBROUS SOUND ABSORBENT INFILL THAT IS NON-SHEDDING, NON-COMBUSTIBLE, NON-HYGROSCOPIC AND CHEMICALLY INERT. THE INFILL IS FACED WITH GLASS CLOTH TO PREVENT FIBRE MIGRATION.

THE CASING CAN BE SUPPLIED WITH A PERIMETER FLANGE FOR FIXING ADJACENT SECTIONS TOGETHER, FIXING THE PANELS INTO THE BUILDERSWORK OPENING OR FIXING INTO THE FRAMEWORK OF AN ACOUSTIC ENCLOSURE (OPTION F).

POLYESTER POWDER FINISH AVAILABLE (SUFFIX P)

SUFFIX

P - POLYESTER POWDER COAT

F - PERIPHERAL FIXING FRAME

X - SPECIAL CONSTRUCTION, REFER TO EQUIPMENT SCHEDULE FOR DETAILS.

BUILDERSWORK

THE W AND H DIMENSIONS GIVEN ON THE CERTIFIED EQUIPMENT SCHEDULE ARE AS MANUFACTURED.

ADEQUATE CLEARANCE MUST BE ALLOWED WHEN CONSTRUCTING THE BUILDERSWORK OPENING, MIN 10mm IS RECOMMENDED.

WEIGHT

ACTUAL WEIGHTS ARE GIVEN ON THE EQUIPMENT SCHEDULE.

APPROXIMATE WEIGHT: 38kg/M².

STANDARD SIZES

THERE ARE NO STANDARD SIZES. PANELS ARE MANUFACTURED TO ORDER

© copyright 2019 Allaway Acoustics. All rights reserved.

This page intentionally left blank



T: +44(0)776-937-7068

E: hello@yacoustics.co.uk

For further information about
Yacoustics services please visit:

www.yacoustics.co.uk

