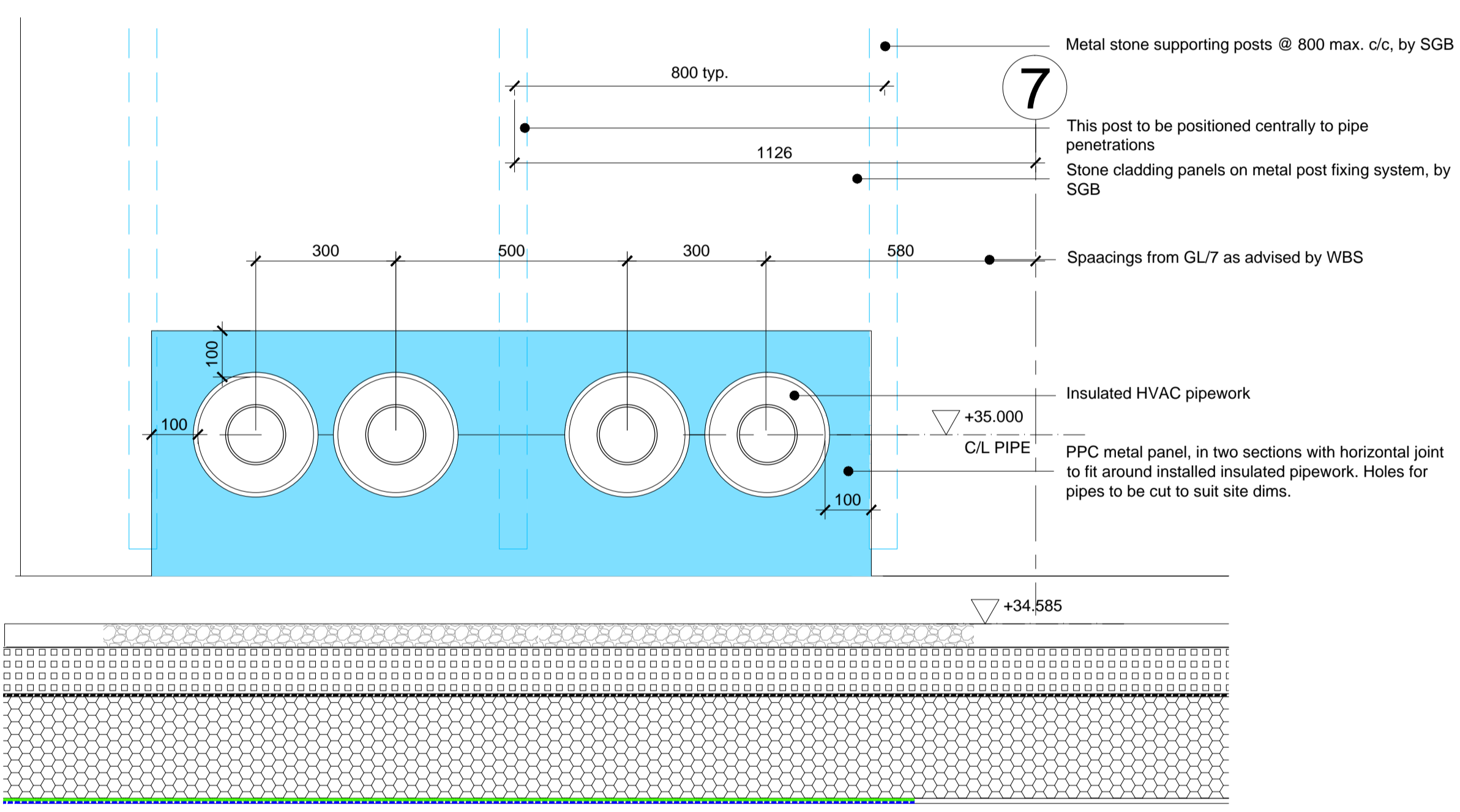
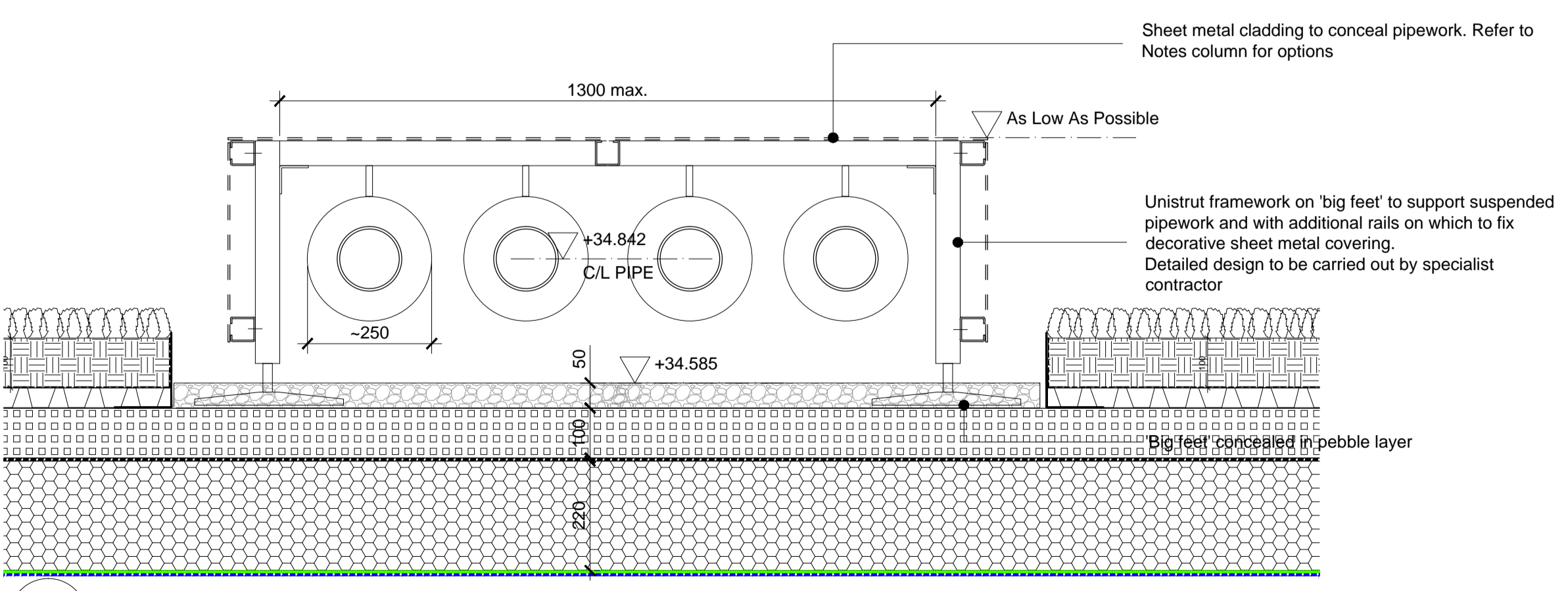


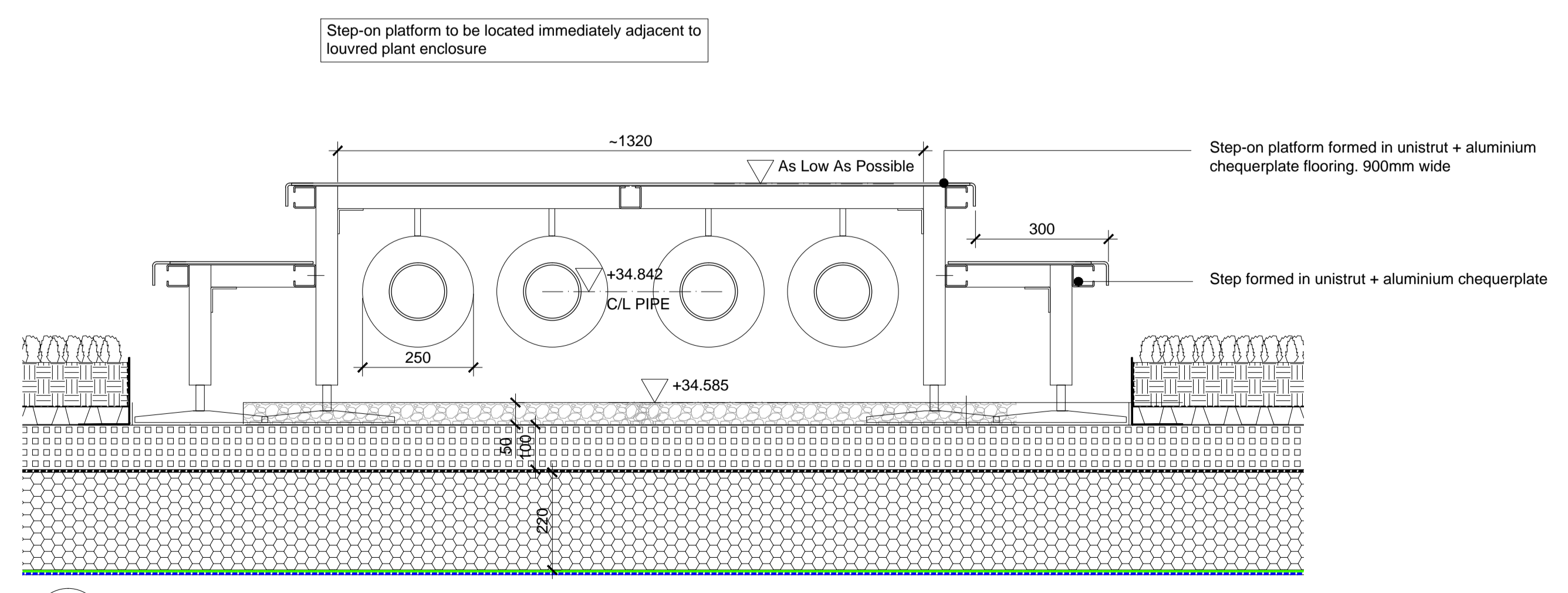
01 Detail
A-41-DET-166 SCALE: 1:10



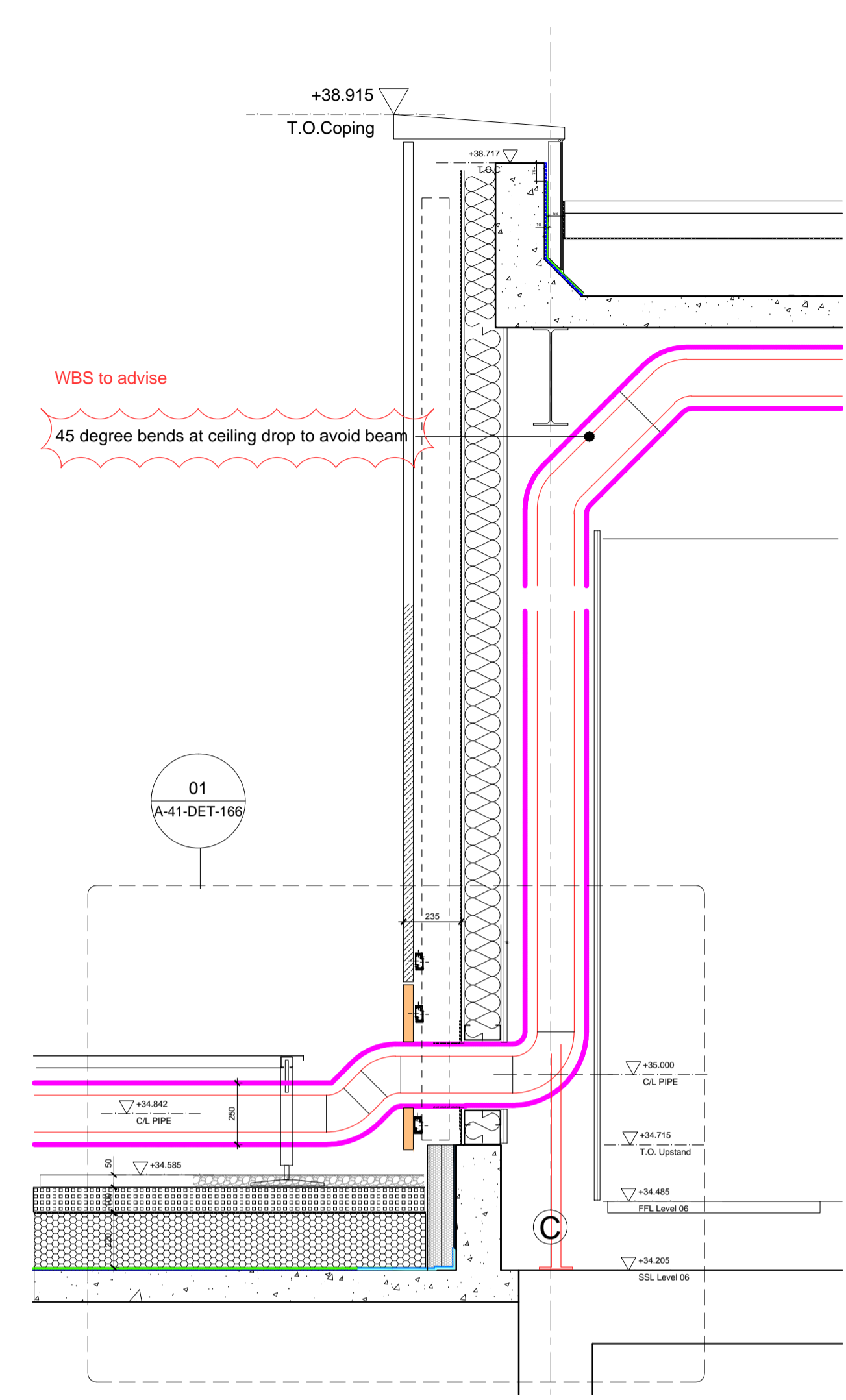
02 Elevation Detail
A-41-DET-166 SCALE: 1:10



03 Pipework support with over cladding detail
A-41-DET-166 SCALE: 1:10



05 Step - Over detail
A-41-DET-166 SCALE: 1:10



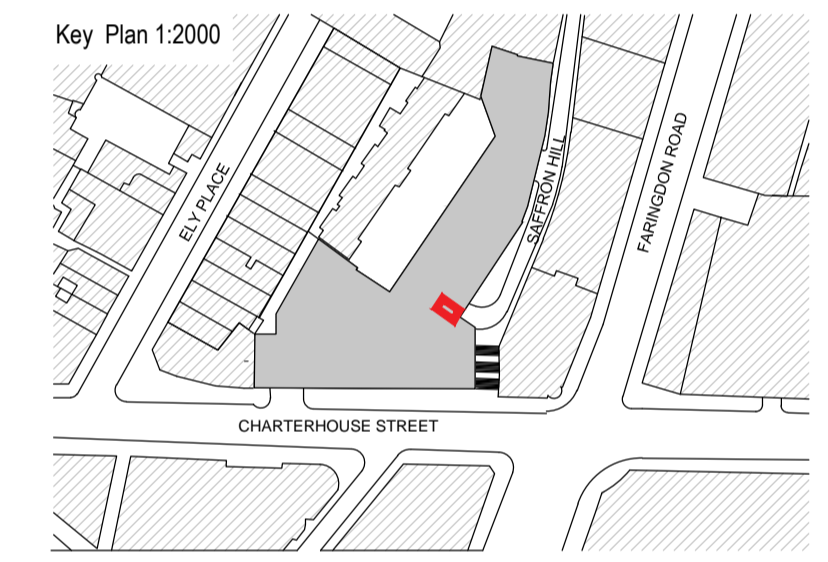
Notes

Refer to GA roof plan for routing of visible section of pipework across roof into louvred plant enclosure.

Cladding Options to conceal pipework

- 2.0mm thk. standard #10mm round hole square pattern perforated aluminium sheet w/ PPC finish. Fixed to framework w/ removable fixings with matching colour cover caps.
- 1.2mm thk. pre-colour coated galv. steel sheet.

Note, at step-over access location top sheet to be replaced with 900mm wide strip of aluminium checkerplate flooring



C1	17.06.19	ISSUED FOR CONSTRUCTION	SR
P1	09.05.19	ISSUED FOR COMMENTS	SR
REV	DATE	PURPOSE OF ISSUE	BY
CLIENT: AA/DB			
PROJECT: 17 CHARTERHOUSE ST. LONDON			
DRAWING: PIPEWORK PENETRATIONS TO LEVEL 6 SHE ROOF			
SCALE:	A1 @ XX	STATUS:	<input type="checkbox"/> PRELIMINARY
CAD FILE:	A-41-DET-166.dwg		<input type="checkbox"/> TENDER
DRAWN:	MD		<input checked="" type="checkbox"/> CONSTRUCTION
CHECKED:	ISR		<input type="checkbox"/> AS BUILT
DRAWING NO.:	P17-082 A 41 DET 166 C1		
MCM			
MCM Architecture Limited T 020 7902 0900 F 020 7922 1233 71 Hopton Street London SE1 9LR www.mcm-uk.com			